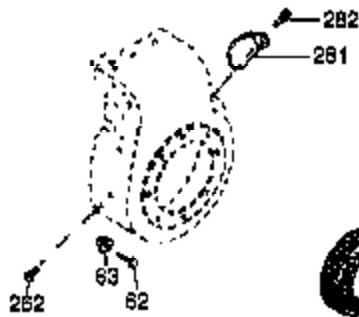
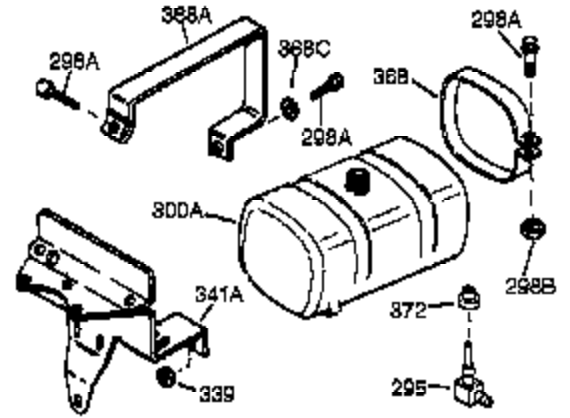
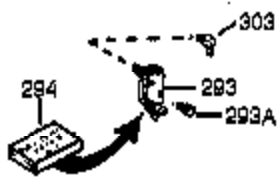


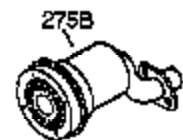
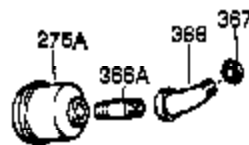
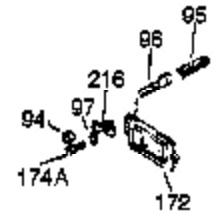
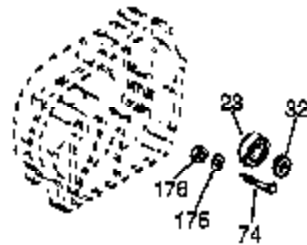
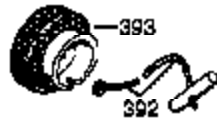
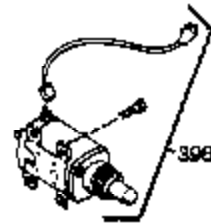
| Ref # | Part Number | Qty | Description |
|-------|-------------|-----|---|
| | 1 34919B | 1 | Cylinder (Incl. 2, 20 & 72) |
| | 2 27652 | 2 | Dowel Pin |
| | 15A 30700 | 1 | Governor Yoke |
| | 15B 650494 | 1 | Screw, 6-40 x 5/16" |
| | 15 30699C | 1 | Governor Rod (Incl. 15A & 15B) |
| | 16 33454 | 1 | Governor Lever |
| | 17 29916 | 1 | Governor Lever Clamp |
| | 18 650548 | 1 | Screw, 8-32 x 5/16" |
| | 19 34663 | 1 | Speed Control Spring |
| | 20 32630 | 1 | Oil Seal |
| | 25 29536 | 1 | Blower Housing Baffle |
| | 26 650561 | 2 | Screw, 1/4-20 x 5/8" |
| | 28 30322 | 1 | Lock Nut, 8-32 |
| | 30 36282 | 1 | Crankshaft |
| | 35 29826 | 1 | Screw, 10-32 x 3/4" |
| | 36 29918 | 1 | Lock Washer |
| | 37 29216 | 1 | Lock Nut, 10-32 |
| | 38 29642 | 1 | Retaining Ring |
| | 40 34531 | 1 | Piston, Pin & Ring Set (Std.) |
| | 40 34532 | 1 | Piston, Pin & Ring Set (.010" OS) |
| | 40 34533 | 1 | Piston, Pin & Ring Set (.020" OS) |
| | 41 33312B | 1 | Piston & Pin Ass'y. (Std.) (Incl. 43) |
| | 41 33313B | 1 | Piston & Pin Ass'y. (.010" OS) (Incl. 43) |
| | 41 33314B | 1 | Piston & Pin Ass'y. (.020" OS) (Incl. 43) |
| | 42 34854 | 1 | Ring Set (Std.) |
| | 42 34855 | 1 | Ring Set (.010" OS) |
| | 42 34856 | 1 | Ring Set (.020" OS) |
| | 43 27888 | 2 | Piston Pin Retaining Ring |
| | 45 31380C | 1 | Connecting Rod Ass'y. (Incl. 46) |
| | 46 650662C | 2 | Connecting Rod Bolt |
| | 48 34034 | 2 | Valve Lifter |
| | 50 33156 | 1 | Camshaft (BCR) |
| | 60 30622A | 1 | Blower Housing Extension |
| | 65 650128 | 1 | Screw, 10-24 x 1/2" |
| | 69 30684 | 1 | * Cylinder Cover Gasket |
| | 70 31303C | 1 | Cylinder Cover (Incl. 71, 75 & 80) |
| | 71 31546 | 1 | Crankshaft Bushing |
| | 72 27642 | 2 | Oil Drain Plug |
| | 75 28427 | 1 | Oil Seal |
| | 80 31845 | 1 | Governor Shaft |
| | 81 30590A | 1 | Washer |
| | 82 30591 | 1 | Governor Gear Ass'y. (Incl. 81) |
| | 83 30588A | 1 | Governor Spool |
| | 84 29193 | 1 | Retaining Ring |
| | 86 650488 | 7 | Screw, 1/4-20 x 1-1/4" |
| | 87 650493 | 1 | Screw, 1/4-20 x 1-3/4" |
| | 89 32589 | 1 | Flywheel Key |
| | 90 611084 | 1 | Flywheel |
| | 92A 650815 | 1 | Belleville Washer |
| | 92 650815 | 1 | Belleville Washer |
| | 93 8116 | 1 | Flywheel Nut |
| | 100 34443A | 1 | Solid State Ignition |
| | 101 610118 | 1 | Spark Plug Cover |
| | 102 650872 | 2 | Solid State Mounting Stud |
| | 103 651007 | 2 | Screw, Torx T-15, 10-24 x 15/16" |
| | 110A 35187 | 1 | Ground Wire Ass'y. |
| | 110 30831 | 1 | Ground Wire |
| | 119 36445 | 1 | * Cylinder Head Gasket |

| Ref # | Part Number | Qty | Description |
|-------|-------------|-----|---------------------------------------|
| 120 | 36446 | 1 | Cylinder Head (Incl. 3 of 130) |
| 125 | 27878A | 1 | Exhaust Valve (Std.) (Incl. 151) |
| 125 | 27880A | 1 | Exhaust Valve (1/32" OS) (Incl. 151) |
| 126 | 32783 | 1 | Intake Valve (Std.) (Incl. 151) |
| 126 | 32784 | 1 | Intake Valve (1/32" OS) (Incl. 151) |
| 127 | 650691 | 7 | Washer |
| 128 | 650690 | 6 | Belleville Washer |
| 129 | 650905 | 4 | Screw, 5/16-18 x 2-5/8" |
| 130 | 650697A | 4 | Screw, 5/16-18 x 2-1/2" |
| 131A | 29212 | 2 | Screw, 1/4-28 x 7/16" |
| 135 | 33636 | 1 | Resistor Spark Plug (RJ17LM) |
| 139 | 31843A | 1 | Governor Gear Bracket |
| 140 | 650965 | 2 | Screw, Torx T-25, 10-24 x 1/2" |
| 149 | 27882 | 2 | Valve Spring Cap |
| 150 | 27881 | 2 | Valve Spring |
| 151 | 32581 | 2 | Valve Spring Keeper |
| 169 | 27896A | 2 | * Valve Cover Gasket |
| 170 | 28423 | 1 | Breather Body |
| 171 | 28424 | 1 | Breather Element |
| 172 | 28425 | 1 | Valve Cover |
| 173 | 35350 | 1 | Breather Tube |
| 174 | 650128 | 2 | Screw, 10-24 x 1/2" |
| 182 | 650517 | 2 | Screw, 1/4-20 x 27/32" |
| 184 | 31688A | 1 | * Carburetor To Intake Pipe Gasket |
| 186 | 34661 | 1 | Governor Link |
| 200 | 34664 | 1 | Control Bracket (Incl.19,203,204,206) |
| 203 | 31342 | 1 | Compression Spring |
| 204 | 650549 | 1 | Screw, 5-40 x 7/16" |
| 206 | 610973 | 1 | Terminal |
| 207 | 34662 | 1 | Throttle Link |
| 209 | 650821 | 2 | Screw, 10-32 x 1/2" |
| 210 | 27793 | 1 | Conduit Clip |
| 211 | 28942 | 1 | Screw, 10-32 x 3/8" |
| 224 | 27915A | 1 | * Intake Pipe Gasket |
| 238 | 28820 | 2 | Screw, 10-32 x 1/2" |
| 239 | 27272A | 1 | * Air Cleaner Gasket |
| 242 | 31914 | 1 | Air Cleaner Bracket |
| 243 | 650152 | 2 | Screw, 8-32 x 3/8" |
| 245 | 30727 | 1 | Air Cleaner Filter |
| 250 | 31715 | 1 | Air Cleaner Cover |
| 260 | 35887 | 1 | Blower Housing |
| 262 | 29747B | 2 | Screw, Torx T-40, 5/16-24 x 21/32" |
| 265 | 30939A | 1 | Cylinder Head Cover |
| 269 | 35865 | 1 | * Exhaust Manifold Gasket |
| 272 | 30196 | 2 | Screw, 5/16-18 x 3/4" |
| 273 | 34712 | 1 | Carburetor Flange |
| 275 | 36220 | 1 | Muffler |
| 277 | 30196 | 2 | Screw, 5/16-18 x 3/4" |
| 285 | 36221 | 1 | Starter Cup |
| 287A | 650926 | 4 | Screw, 8-32 x 21/64" |
| 287 | 650926 | 1 | Screw, 8-32 x 21/64" |
| 291 | 30962 | 1 | Fuel Line |
| 292 | 26460 | 2 | Fuel Line Clamp |
| 298 | 650665 | 2 | Screw, 1/4-15 x 3/4" |
| 299 | 650764 | 1 | "U" Type Nut |
| 300 | 34186A | 1 | Fuel Tank (Incl. 292 & 301) |
| 301 | 36246 | 1 | Fuel Cap |
| 305 | 35574 | 1 | Oil Fill Tube |

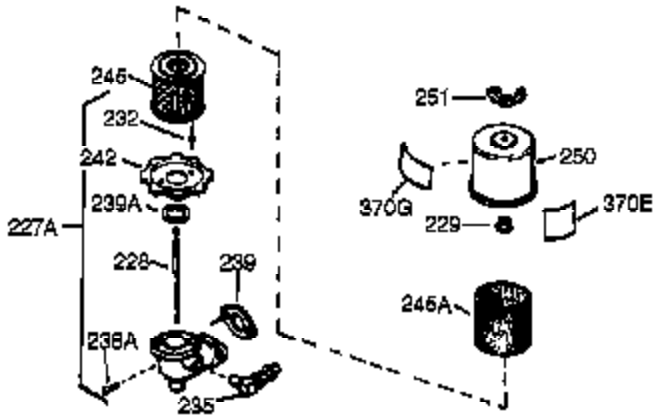
| Ref # | Part Number | Qty | Description |
|-------|-------------|-----|--|
| 307 | 35499 | 1 | "O" Ring |
| 308 | 33997 | 1 | Fill Tube Clip |
| 309 | 650760 | 1 | Screw, 8-32 x 3/8" |
| 310 | 36223 | 1 | Dipstick |
| 324 | 33177 | 1 | Terminal |
| 325 | 34246 | 1 | Wire Clip |
| 325A | 29443 | 1 | Wire Clip |
| 340 | 36209 | 1 | Fuel Tank Bracket |
| 342 | 30063 | 1 | Screw, Torx T-30, 1/4-20 x 1/2" |
| 370B | 35274 | 1 | Instruction Decal |
| 370K | 36224 | 1 | Debris Guard Decal |
| 370 | 36261 | 1 | Instruction Decal |
| 380 | 632631 | 1 | Carburetor (Incl. 184) |
| 390 | 590732 | 1 | Rewind Starter (Note: This engine could have been built with 590688 starter. Refer to the design of the rope pulley strength ribs for part identification. Individual starter parts do not interchange. Refer to service bulletin number 116.) |
| 398 | 36222 | 1 | Blower Housing Recoil Extension |
| 400 | 36447 | 1 | * Gasket Set (Incl. items marked PK in notes) Incl. part #'s 26756 (1), 27272A (1), 27896A (2), 27915A (1), 29673 (1), 30684 (1), 31688A (1), 33629 (1), 34912 (1), 35865 (1), 36445 (1) |
| 420 | 730225 | 1 | SAE 30 4-Cycle Engine Oil (Quart) |
| 453 | 29538 | 1 | Engine Mounting Base |
| 454 | 650542 | 4 | Screw, 5/16-18 x 3/4" |



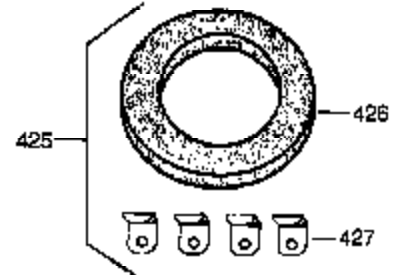
OPTIONAL 110-120
VOLT STARTER
MOTOR KIT



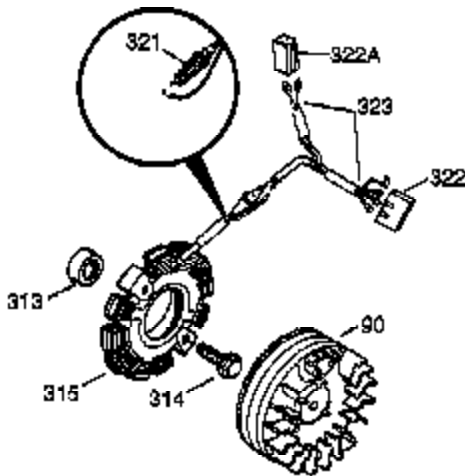
| Ref # | Part Number | Qty | Description |
|-------|-------------|-----|------------------------------------|
| 62 | 650760 | 1 | Screw, 8-32 x 3/8" |
| 63 | 28545 | 1 | Grommet |
| 92A | 650815 | 1 | Belleville Washer |
| 110A | 35187 | 1 | Ground Wire Assy. |
| 129 | 650905 | 4 | Screw, 5/16-18 x 2-5/8" |
| 131A | 29212 | 2 | Screw, 1/4-28 x 7/16" |
| 172 | 28425 | 1 | Valve Cover |
| 262 | 29747B | 2 | Screw, Torx T-40, 5/16-24 x 21/32" |
| 269 | 35865 | 1 | * Exhaust Manifold Gasket |
| 287A | 650926 | 4 | Screw, 8-32 x 21/64" |
| 309 | 650760 | 1 | Screw, 8-32 x 3/8" |



**OPTIONAL
STARTER MUFF KIT**



730571
Can be used on H50-60 with
stamped steel starter.



| Ref # | Part Number | Qty | Description |
|-------|-------------|-----|-------------------------|
| 90 | 611084 | 1 | Flywheel |
| 92A | 650815 | 1 | Belleville Washer |
| 110A | 35187 | 1 | Ground Wire Assy. |
| 129 | 650905 | 4 | Screw, 5/16-18 x 2-5/8" |
| 131A | 29212 | 2 | Screw, 1/4-28 x 7/16" |
| 239 | 27272A | 1 | * Air Cleaner Gasket |
| 242 | 31914 | 1 | Air Cleaner Bracket |
| 245 | 30727 | 1 | Air Cleaner Filter |
| 245A | 35974 | 1 | Air Cleaner Filter |
| 250 | 31715 | 1 | Air Cleaner Cover |
| 287A | 650926 | 4 | Screw, 8-32 x 21/64" |
| 309 | 650760 | 1 | Screw, 8-32 x 3/8" |