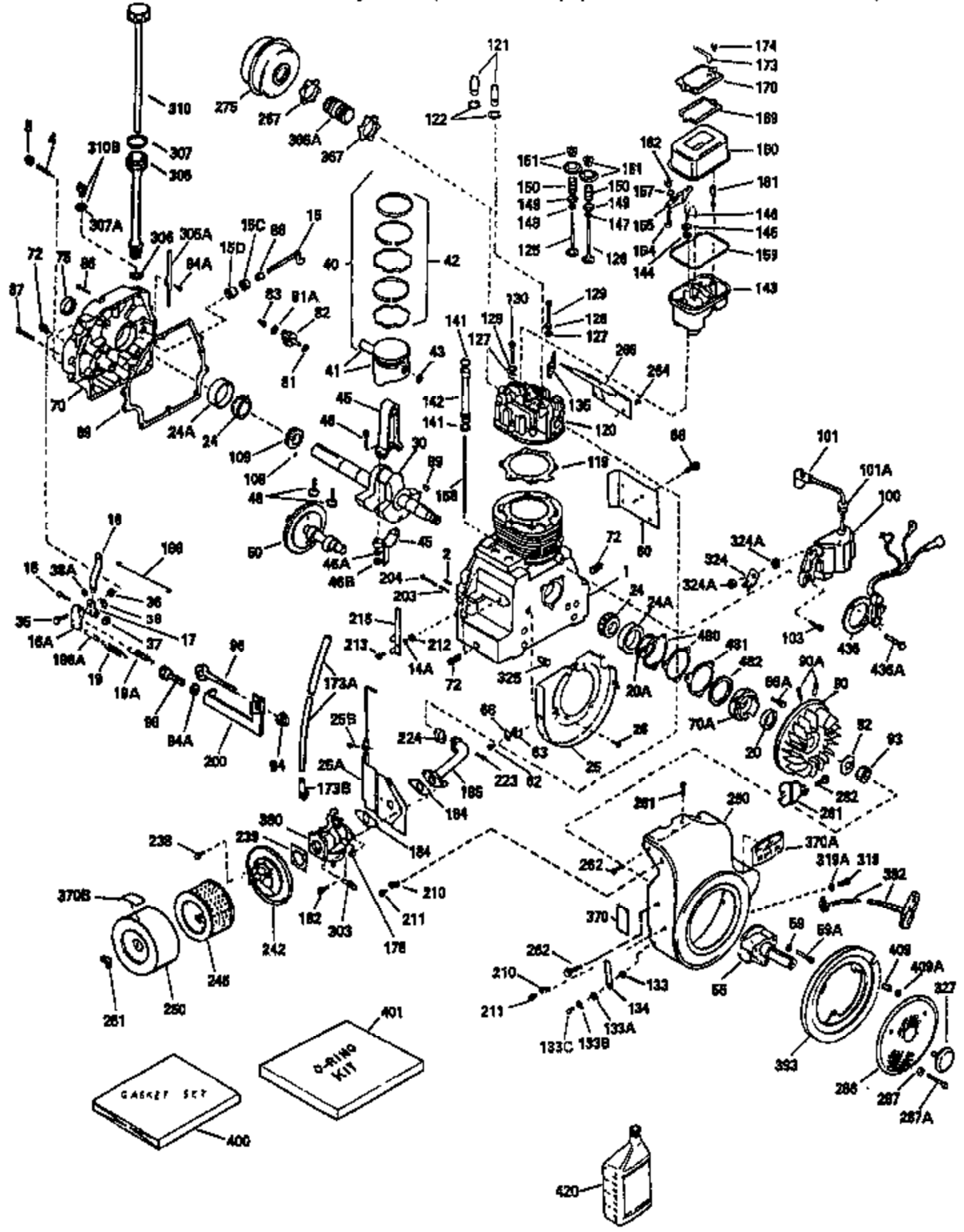


VIEW 1 of 3 ... this illustration may not depict actual equipment and is for reference only!

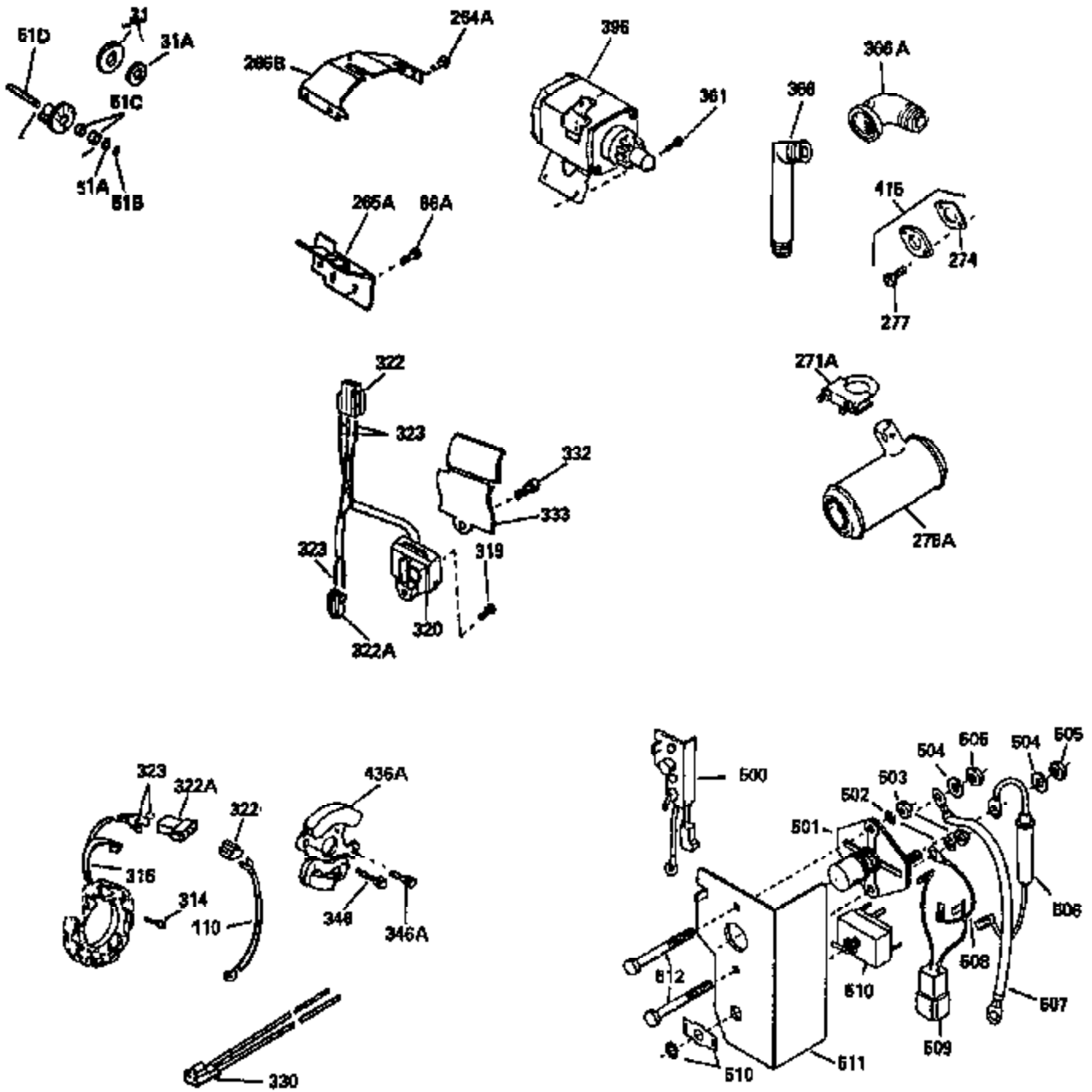


| Ref # | Part Number | Qty | Description |
|-------|-------------|-----|---|
| | 1 33039A | 1 | Cylinder (Incl. 2, 72, 75, & 80) |
| | 2 27652 | 2 | Dowel Pin |
| | 3 650797 | 1 | Screw, 5/16-18 x 1/2" |
| 14A | 28558 | 1 | Washer |
| | 15 32425 | 1 | Governor Rod |
| | 16 31963 | 1 | Governor Lever |
| 16B | 31965 | 1 | Governor Spring Plate |
| | 17 31964 | 1 | Governor Lever Clamp |
| | 18 650544 | 1 | Screw, Torx T-25, 10-24 x 7/8" |
| | 19 31967 | 1 | Extension Spring |
| 19A | 33099 | 1 | Control Spring |
| 20A | 32599 | 1 | "O" Ring |
| 24A | 31928 | 2 | Bearing Cup |
| | 24 31932 | 2 | Tapered Bearing |
| 25A | 34061 | 1 | Air Baffle |
| | 25 32579 | 1 | Blower Housing Baffle |
| 25B | 650451 | 2 | Screw, 1/4-20 x 1" |
| | 26 650561 | 3 | Screw, 1/4-20 x 5/8" |
| | 30 33397A | 1 | Crankshaft |
| | 35 30312 | 1 | Screw, 10-32 x 1/2" |
| | 37 7975 | 1 | Lock Nut, 10-24 |
| 38A | 650518 | 1 | Washer |
| | 40 34508 | 1 | Piston, Pin & Ring Set (Std.) |
| | 40 34509 | 1 | Piston, Pin & Ring Set (.010" OS) |
| | 40 34510 | 1 | Piston, Pin & Ring Set (.020" OS) |
| | 40 34850 | 1 | Piston, Pin & Ring Set (.030" OS) |
| | 40 34523 | 1 | Piston, Pin & Ring Set (.040" OS) |
| | 41 32001C | 1 | Piston & Pin Ass'y. (Std.) (Incl. 43) |
| | 41 32002B | 1 | Piston & Pin Ass'y. (.010" OS) (Incl. 43) |
| | 41 32003B | 1 | Piston & Pin Ass'y. (.020" OS) (Incl. 43) |
| | 41 32619B | 1 | Piston & Pin Ass'y. (.030" OS) (Incl. 43) |
| | 41 32620B | 1 | Piston & Pin Ass'y. (.040" OS) (Incl. 43) |
| | 42 32004 | 1 | Ring Set (Std.) |
| | 42 32005 | 1 | Ring Set (.010" OS) |
| | 42 32006 | 1 | Ring Set (.020" OS) |
| | 42 32623 | 1 | Ring Set (.030" OS) |
| | 42 32624 | 1 | Ring Set (.040" OS) |
| | 43 31919 | 2 | Piston Pin Retaining Ring |
| | 45 33093A | 1 | Connecting Rod Ass'y.(Std.) (Incl.46- 46B) |
| | 45 34383 | 1 | Connecting Rod Ass'y.(.010" US)(Incl. 46-46B) |
| | 45 34384 | 1 | Connecting Rod Ass'y.(.020" US)(Incl. 46-46B) |
| 46B | 28264 | 2 | Nut |
| 46A | 26073 | 2 | Washer |
| | 46 32077 | 2 | Connecting Rod Bolt |
| | 48 31939 | 2 | Valve Lifter |
| | 50 34693 | 1 | Camshaft (MCR) |
| | 60 31976 | 1 | Blower Housing Extension |
| 65A | 28537 | 1 | Washer |
| | 65 650128 | 1 | Screw, 10-24 x 1/2" |
| | 69 31956B | 1 | * Cylinder Cover Gasket |
| | 70 32580A | 1 | Cylinder Cover (Incl.15,72,75,84,88) |
| 70A | 32577 | 1 | Cylinder Cover (See Ref. # 480 - 482) |
| | 72 31927 | 4 | Oil Drain Plug |
| | 75 31950 | 2 | Oil Seal |
| | 80 31930 | 1 | Governor Shaft |
| | 81 30590A | 2 | Washer |
| | 82 34691 | 1 | Governor Gear Ass'y. (Incl. 81) |
| | 83 35322 | 1 | Governor Spool |

| Ref # | Part Number | Qty | Description |
|-------|-------------|-----|------------------------------------|
| 84 | 29193 | 2 | Retaining Ring |
| 86 | 650588 | 1 | Screw, 1/4-20 x 2" |
| 86A | 792028 | 3 | Screw, 5/16-18 x 7/8" |
| 87 | 650451 | 8 | Screw, 1/4-20 x 1" |
| 88 | 32426 | 1 | Spacer |
| 89 | 650592 | 1 | Flywheel Key |
| 90A | 730201 | 1 | Trigger Pin Kit |
| 90 | 610901 | 1 | Flywheel (Incl. 90A) |
| 92 | 650666 | 1 | Lock Washer |
| 93 | 650594 | 1 | Flywheel Nut |
| 100 | 610906 | 1 | Solid State Ignition |
| 101 | 610118 | 1 | Spark Plug Cover |
| 103 | 650661 | 2 | Screw, 1/4-20 x 3/4" |
| 108 | 29783 | 1 | Crankshaft Pin |
| 109 | 34692 | 1 | Crankshaft Gear |
| 119 | 32000B | 1 | * Cylinder Head Gasket |
| 120 | 33034 | 1 | Cylinder Head |
| 125 | 31942 | 1 | Exhaust Valve (Std.) |
| 125 | 31943 | 1 | Exhaust Valve (1/32" OS) |
| 126 | 31940 | 1 | Intake Valve (Std.) |
| 126 | 31941 | 1 | Intake Valve (1/32" OS) |
| 127 | 650691 | 9 | Washer |
| 128 | 650690 | 9 | Belleville Washer |
| 129 | 650711 | 7 | Screw, 5/16-18 x 1-5/8" |
| 130 | 650714 | 2 | Screw, 5/16-18 x 1-5/8" |
| 133A | 26073 | 2 | Washer |
| 135 | 33636 | 1 | Resistor Spark Plug (J8C/356) |
| 149C | 20810 | 2 | Valve Pin |
| 149A | 31946 | 2 | Valve Spring Cap (1/32" OS Stem) |
| 149 | 31945 | 2 | Valve Spring Cap |
| 150 | 31944 | 2 | Valve Spring |
| 169 | 31958A | 1 | * Valve Cover Gasket |
| 170 | 31957A | 1 | Breather Body |
| 173 | 35350 | 1 | Breather Tube |
| 174 | 650128 | 2 | Screw, 10-24 x 1/2" |
| 184 | 33263 | 2 | * Carburetor To Intake Pipe Gasket |
| 186 | 31968 | 1 | Governor Link |
| 204 | 650591 | 1 | Screw, 10-24 x 2" |
| 210 | 27793 | 1 | Conduit Clip |
| 211 | 28942 | 1 | Screw, 10-32 x 3/8" |
| 212 | 31966 | 1 | Bushing |
| 213 | 650597 | 1 | Screw, 10-24 x 5/8" |
| 216 | 31984A | 1 | R.P.M. Adjusting Lever |
| 238 | 650399 | 2 | Screw, 10-32 x 5/8" |
| 239 | 27272A | 1 | * Air Cleaner Gasket |
| 242A | 32907B | 1 | Air Cleaner Bracket |
| 242 | 34065 | 1 | Air Cleaner Bracket |
| 245 | 32008 | 1 | Air Cleaner Filter |
| 246 | 30767 | 1 | Spacer |
| 250 | 32810 | 1 | Air Cleaner Cover |
| 251 | 650513 | 1 | Wing Nut, 1/4-20 |
| 260 | 33044A | 1 | Blower Housing |
| 261 | 650713 | 2 | Screw, 5/16-18 x 5/8" |
| 264 | 650128 | 2 | Screw, 10-24 x 1/2" |
| 265 | 33035 | 1 | Cylinder Head Cover |
| 275 | 32043B | 1 | Muffler |
| 286 | 33776 | 1 | Starter Screen |
| 287 | 650680 | 3 | Screw, 1/4-20 x 1-1/2" |

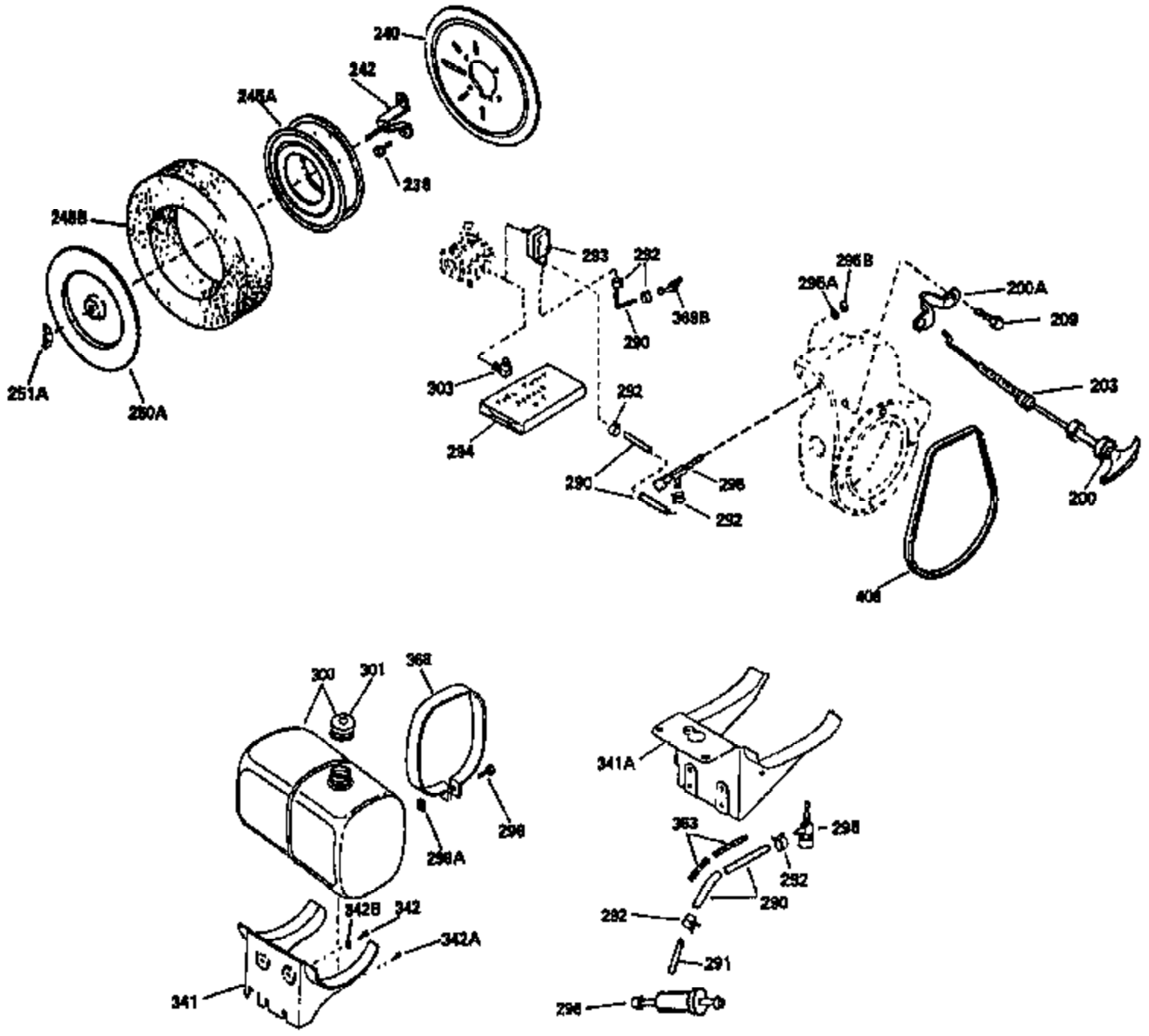
| Ref # | Part Number | Qty | Description |
|-------|-------------|-----|--|
| 298B | 650713 | 2 | Screw, 5/16-18 x 5/8" |
| 298A | 650456 | 2 | Lock Nut, 1/4-20 |
| 298C | 8274 | 1 | Washer |
| 298D | 26073 | 2 | Washer |
| 310 | 33069 | 1 | Dipstick |
| 319A | 8274 | 1 | Lock Washer |
| 319 | 650595 | 1 | Screw, 5/16-24 x 3/8" |
| 319 | 30063 | 1 | Screw, Torx T-30, 1/4-20 x 1/2" |
| 323A | 610905 | 2 | Terminal |
| 355 | 590701 | 1 | Starter Handle |
| 366A | 32042 | 1 | Muffler Nipple |
| 370B | 35274 | 1 | Instruction Decal |
| 370 | 36261 | 1 | Instruction Decal |
| 370A | 35532 | 1 | Logo Decal |
| 380 | 632424 | 1 | Carburetor (Incl. 184) |
| 392 | 32046 | 1 | Starter Rope |
| 393 | 31980 | 1 | Starter Pulley |
| 400 | 33237B | 1 | * Gasket Set (Incl. items marked PK i n notes) Incl. part #'s 27272A (2), 29673 (1), 31923 (1), 31956B (1), 31958A (1), 31960A (3), 31971 (2), 31972 (1), 32000B (1), 32246B (1), 33263 (2) |
| 409 | 31992 | 3 | Spacer |
| 409A | 27070 | 3 | Washer |
| 420 | 730225 | 1 | SAE 30 4-Cycle Engine Oil (Quart) |
| 480 | 31971 | 1 | * Shim Gasket (.004/.005) (See Repair M anual) |
| 481 | 31972 | 1 | * Shim Gasket (.005/.007) (See Repair M anual) |
| 482 | 32031 | 1 | Steel Spacer (.010) (See Repair Manua l) |

VIEW 2 of 3 ... this illustration may not depict actual equipment and is for reference only!



| Ref # | Part Number | Qty | Description |
|-------|-------------|-----|---|
| 3 | 650797 | 1 | Screw, 5/16-18 x 1/2" |
| 16B | 31965 | 1 | Governor Spring Plate |
| 65 | 650128 | 1 | Screw, 10-24 x 1/2" |
| 65A | 28537 | 1 | Washer |
| 80 | 31930 | 1 | Governor Shaft |
| 84 | 29193 | 2 | Retaining Ring |
| 88 | 32426 | 1 | Spacer |
| 135 | 33636 | 1 | Resistor Spark Plug (J8C/356) |
| 149A | 31946 | 2 | Valve Spring Cap (1/32" OS Stem) |
| 149C | 20810 | 2 | Valve Pin |
| 242A | 32907B | 1 | Air Cleaner Bracket |
| 246 | 30767 | 1 | Spacer |
| 251 | 650513 | 1 | Wing Nut, 1/4-20 |
| 265 | 33035 | 1 | Cylinder Head Cover |
| 298C | 8274 | 1 | Washer |
| 298B | 650713 | 2 | Screw, 5/16-18 x 5/8" |
| 298A | 650456 | 2 | Lock Nut, 1/4-20 |
| 298D | 26073 | 2 | Washer |
| 314 | 650521 | 2 | Screw, 10-32 x 1-1/8" |
| 315 | 610902 | 1 | Alternator Coil (20Amp) (Incl. 322-32 3A) |
| 319 | 650595 | 1 | Screw, 5/16-24 x 3/8" |
| 319 | 30063 | 1 | Screw, Torx T-30, 1/4-20 x 1/2" |
| 320 | 610996 | 1 | Regulator |
| 322 | 611201 | 1 | Connector Body |
| 323 | 610904 | 1 | Terminal |
| 323A | 610905 | 2 | Terminal |
| 355 | 590701 | 1 | Starter Handle |
| 361 | 650781 | 2 | Screw, 5/16-18 x 11/16" |
| 366A | 32042 | 1 | Muffler Nipple |
| 395 | 33835 | 1 | Electric Starter Motor (12 Volt) |
| 509 | 34393 | 1 | Alternator Adapter Cord |

VIEW 3 of 3 ... this illustration may not depict actual equipment and is for reference only!



| Ref # | Part Number | Qty | Description |
|-------|-------------|-----|----------------------------------|
| | 3 650797 | 1 | Screw, 5/16-18 x 1/2" |
| | 16B 31965 | 1 | Governor Spring Plate |
| | 65A 28537 | 1 | Washer |
| | 65 650128 | 1 | Screw, 10-24 x 1/2" |
| | 80 31930 | 1 | Governor Shaft |
| | 84 29193 | 2 | Retaining Ring |
| | 88 32426 | 1 | Spacer |
| | 135 33636 | 1 | Resistor Spark Plug (J8C/356) |
| | 149C 20810 | 2 | Valve Pin |
| | 149A 31946 | 2 | Valve Spring Cap (1/32" OS Stem) |
| | 238 650399 | 2 | Screw, 10-32 x 5/8" |
| | 242A 32907B | 1 | Air Cleaner Bracket |
| | 242 34065 | 1 | Air Cleaner Bracket |
| | 246 30767 | 1 | Spacer |
| | 251 650513 | 1 | Wing Nut, 1/4-20 |
| | 265 33035 | 1 | Cylinder Head Cover |
| | 290 30705 | 1 | Fuel Line |
| | 292 26460 | 2 | Fuel Line Clamp |
| | 295 29683 | 1 | Fuel Shut Off Valve |
| | 298D 26073 | 2 | Washer |
| | 298 650451 | 2 | Screw, 1/4-20 x 1" |
| | 298C 8274 | 1 | Washer |
| | 298B 650713 | 2 | Screw, 5/16-18 x 5/8" |
| | 298A 650456 | 2 | Lock Nut, 1/4-20 |
| | 300 31977 | 1 | Fuel Tank |
| | 323A 610905 | 2 | Terminal |
| | 341 31978 | 1 | Fuel Tank Bracket |
| | 342 650561 | 2 | Screw, 1/4-20 x 5/8" |
| | 355 590701 | 1 | Starter Handle |
| | 368 31979 | 2 | Fuel Tank Strap |