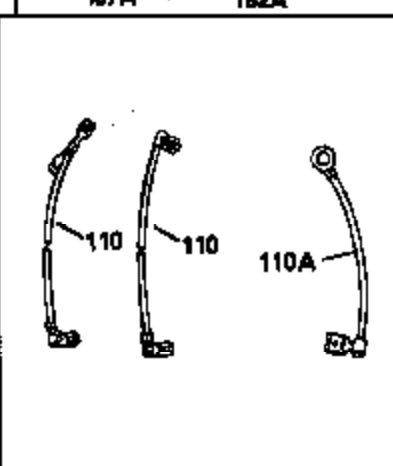
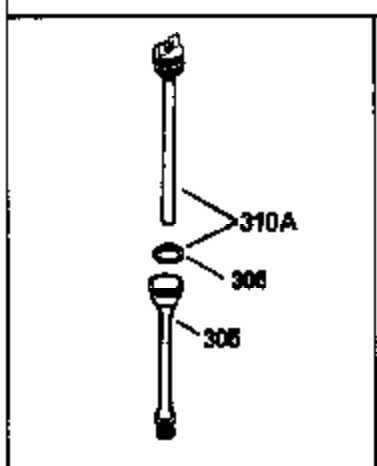
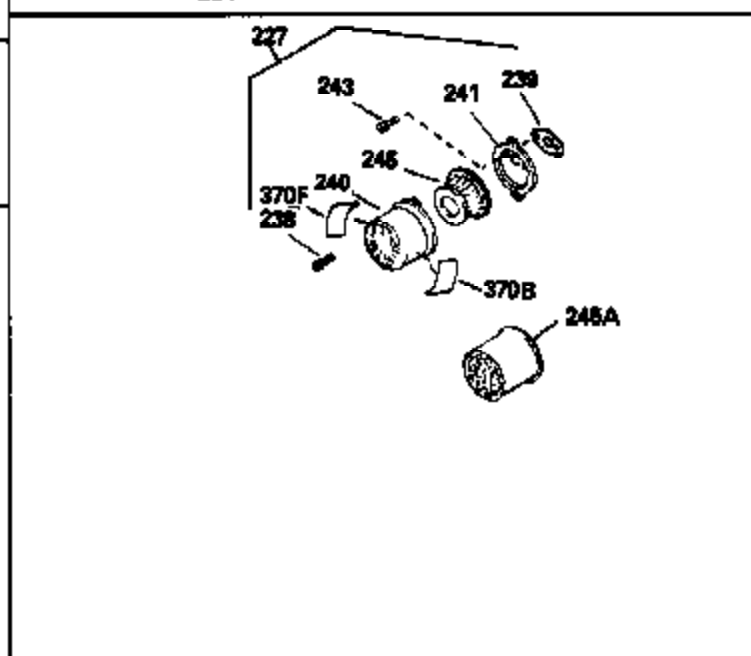
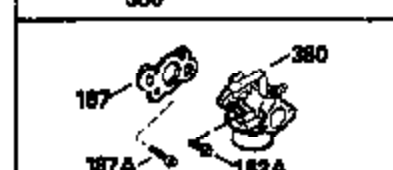
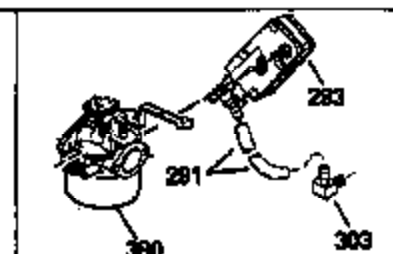
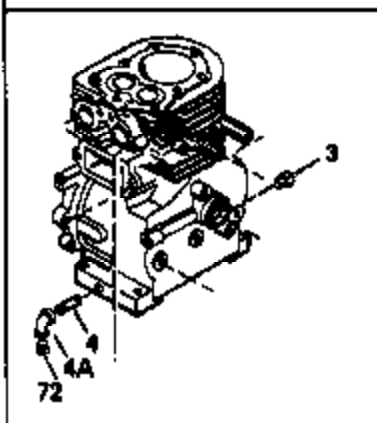
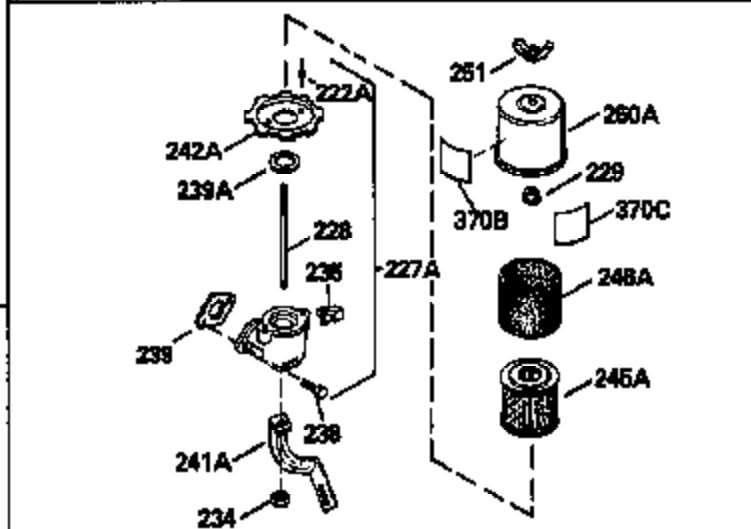
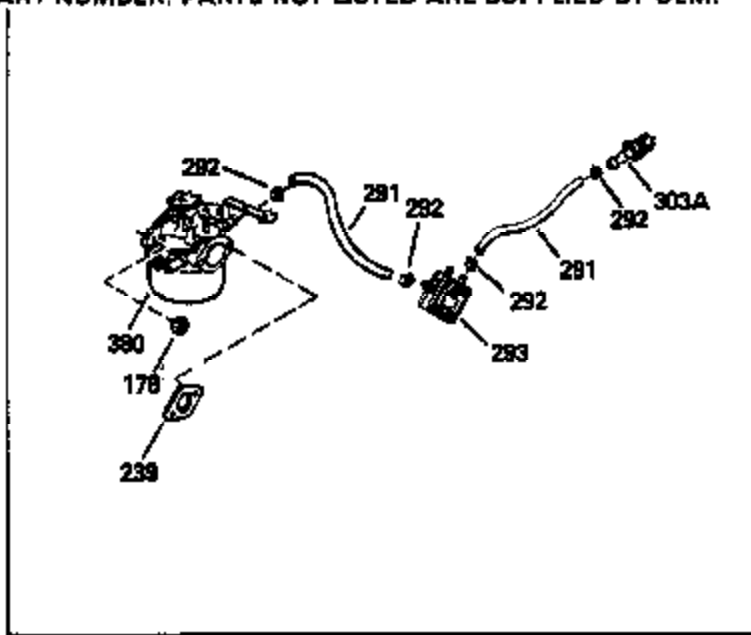
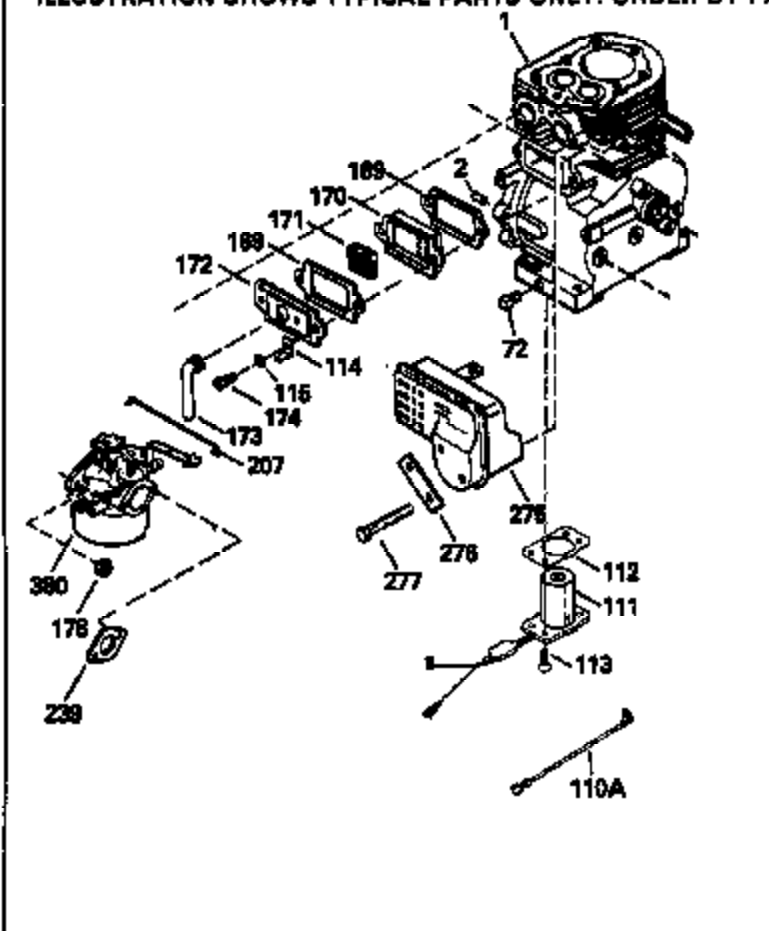


Ref #	Part Number	Qty	Description
	1 35966	1	Cylinder (Incl. 2 & 20)
	2 27652	2	Dowel Pin
15B	650494	1	Screw, 6-40 x 5/16"
15A	30700	1	Governor Yoke
	15 30699C	1	Governor Rod (Incl. 15A & 15B)
	16 33454	1	Governor Lever
	17 29916	1	Governor Lever Clamp
	18 650548	1	Screw, 8-32 x 5/16"
	20 35319	1	Oil Seal
	25 36460	1	Blower Housing Baffle
25A	36244	1	Air Baffle
	26 650561	2	Screw, 1/4-20 x 5/8"
	28 30322	1	Lock Nut, 8-32
	30 35441A	1	Crankshaft
	35 29826	1	Screw, 10-32 x 3/4"
	36 29918	1	Lock Washer
	37 29216	1	Lock Nut, 10-32
	38 29642	1	Retaining Ring
	40 34552	1	Piston, Pin & Ring Set (Std.)
	40 34553	1	Piston, Pin & Ring Set (.010" OS)
	40 34554	1	Piston, Pin & Ring Set (.020" OS)
	41 34329A	1	Piston & Pin Ass'y. (Std.) (Incl. 43)
	41 34330A	1	Piston & Pin Ass'y. (.010" OS) (Incl. 43)
	41 34331A	1	Piston & Pin Ass'y. (.020" OS) (Incl. 43)
	42 34332	1	Ring Set (Std.)
	42 34333	1	Ring Set (.010" OS)
	42 34334	1	Ring Set (.020" OS)
	43 27888	2	Piston Pin Retaining Ring
	45 35373A	1	Connecting Rod Ass'y. (Incl.46,47,49)
	46 650908	1	Connecting Rod Bolt
	47 650882	1	Connecting Rod Bolt
	48 34034	2	Valve Lifter
	49 35374	1	Oil Dipper
	50 35375	1	Camshaft (MCR)
	60 33273A	1	Blower Housing Extension
	62 650760	1	Screw, 8-32 x 3/8"
	63 28545	1	Grommet
	65 650128	1	Screw, 10-24 x 1/2"
	68 33356	1	Ground Terminal
	69 35262	1	* Cylinder Cover Gasket
	70 35376	1	Cylinder Cover (Incl. 71, 75 & 80)
	71 35377	1	Crankshaft Bushing
	72 27642	2	Oil Drain Plug
	75 35319	1	Oil Seal
	80 31845	1	Governor Shaft
	81 30590A	1	Washer
	82 35378	1	Governor Gear Ass'y. (Incl. 81)
	83 30588A	1	Governor Spool
	84 29193	1	Retaining Ring
	86 650833	7	Screw, 1/4-20 x 1-3/16"
	87 650832	1	Screw, 1/4-20 x 1-11/16"
	89 32589	1	Flywheel Key
	90 611090	1	Flywheel
	92 650880	1	Lock Washer
	93 650881	1	Flywheel Nut
	94 33450	1	Lock Nut, 10-32
	95 30886A	1	Extension Spring
	96 30845A	1	R.P.M. Adjusting Bolt

Ref #	Part Number	Qty	Description
100	35135	1	Solid State Ignition
102	650872	2	Solid State Mounting Stud
103	650814	2	Screw, Torx T-15, 10-24 x 1"
110	35183	1	Ground Wire
119	36448	1	* Cylinder Head Gasket
120	36449	1	Cylinder Head
125	27878A	1	Exhaust Valve (Std.) (Incl. 151)
125	27880A	1	Exhaust Valve (1/32" OS) (Incl. 151)
126	34035	1	Intake Valve (Std.) (Incl. 151)
126	34036	1	Intake Valve (1/32" OS) (Incl. 151)
127	650691	9	Washer
128	650690	7	Belleville Washer
129	650727	2	Screw, 5/16-18 x 1-3/4"
130	650694A	7	Screw, 5/16-18 x 2"
131A	650738	1	Screw, 1/4-20 x 5/8"
135	33636	1	Resistor Spark Plug (RJ17LM)
139	33369	1	Governor Gear Bracket
140	650836	2	Screw, 10-24 x 1/2"
149	27882	1	Valve Spring Cap
149A	35862	1	Valve Spring Cap
150	27881	2	Valve Spring
151	32581	2	Valve Spring Keeper
169	27896A	2	* Valve Cover Gasket
170	28423	1	Breather Body
171	28424	1	Breather Element
172	28425	1	Valve Cover
173	35350	1	Breather Tube
174A	650597	1	Screw, 10-24 x 5/8"
174	650128	1	Screw, 10-24 x 1/2"
178	29752	2	Nut & Lock Washer, 1/4-28
182	30088A	2	Screw, 1/4-28 x 1"
184	33263	1	* Carburetor To Intake Pipe Gasket
185	33877	1	Intake Pipe
207	33878	1	Throttle Link
223	650378	2	Screw, Torx T-30, 5/16-18 x 1-1/8"
224	27915A	1	* Intake Pipe Gasket
242	33267	1	Air Cleaner Bracket
250	33269A	1	Air Cleaner Cover
260	36468	1	Blower Housing
261	650788	2	Screw, 5/16-18 x 3/4"
262	29747B	2	Screw, Torx T-40, 5/16-24 x 21/32"
264	650802	1	Screw, 1/4-20 x 5/8"
265	33272B	1	Cylinder Head Cover
275	34185A	1	Muffler
276	31588	1	Locking Plate
277	650729	2	Screw, 5/16-18 x 3-3/16"
281	33013	1	Starter Bubble Cover
282	650760	1	Screw, 8-32 x 3/8"
285	35985	1	Starter Cup
286	35446	1	Starter Screen
287	29752	4	Nut & Lock Washer, 1/4-28
292	26460	2	Fuel Line Clamp
311	35941	1	Oil Fill Plug (Incl. 312)
312	29673	1	Oil Fill Plug Gasket
324	33177	1	Terminal
325	29443	1	Wire Clip
325A	34246	1	Wire Clip
327	35392	1	Starter Plug

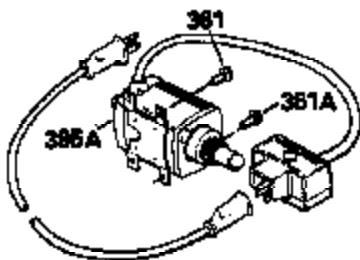
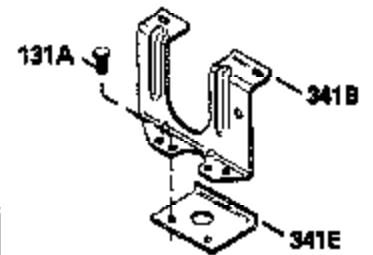
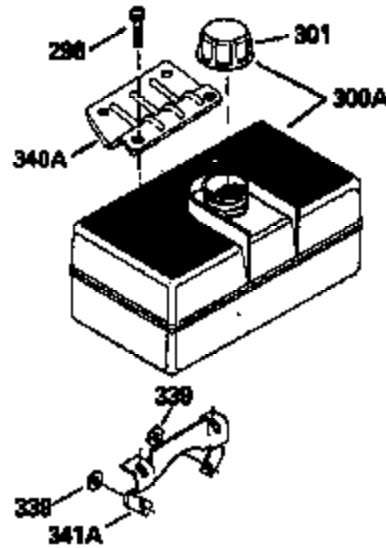
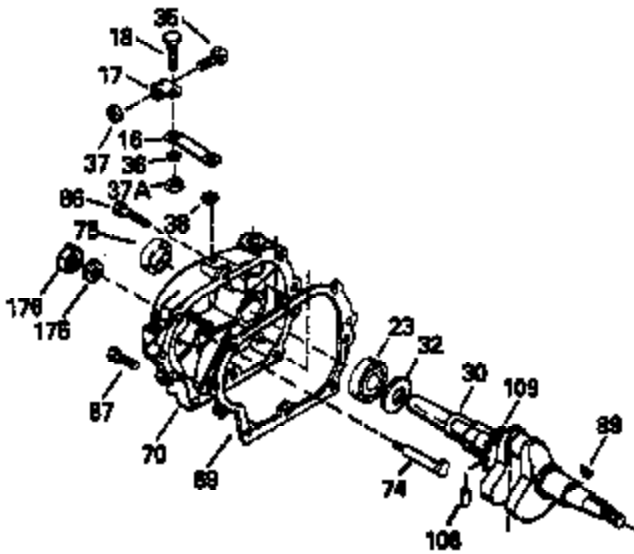
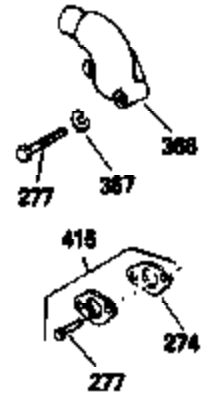
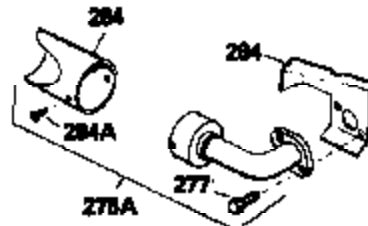
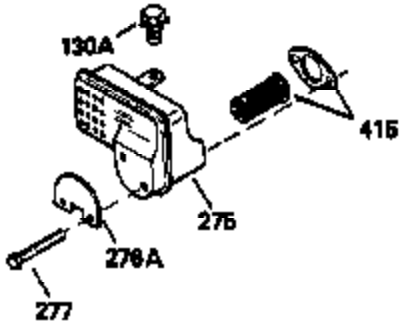
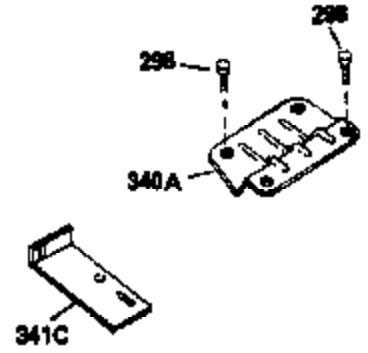
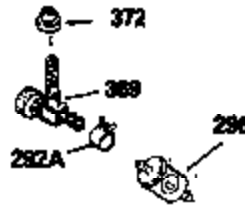
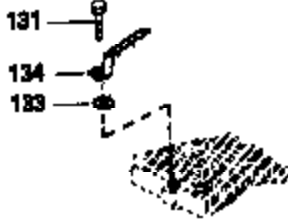
Ref #	Part Number	Qty	Description
	342 30063	1	Screw, Torx T-30, 1/4-20 x 1/2"
	370A 34686	1	Name Decal
	370B 35274	1	Instruction Decal
	370 36261	1	Instruction Decal
	380 632696	1	Carburetor (Incl. 184)
	390 590671	1	Rewind Starter (Note: This engine could have been built with 590704 starter. Refer to the design of the air intake louvers for part identification. individual starter parts do not interchange.)
	400 36450A	1	* Gasket Set (Incl. items marked PK i n notes) Incl. part #'s 27272A (1), 27896A (2), 27915A (1), 29673 (1), 33263 (1), 33629 (1), 34698A (1), 35262 (1), 36448 (1)
	420 730225	1	SAE 30 4-Cycle Engine Oil (Quart)

ILLUSTRATION SHOWS TYPICAL PARTS ONLY. ORDER BY PART NUMBER. PARTS NOT LISTED ARE SUPPLIED BY OEM.



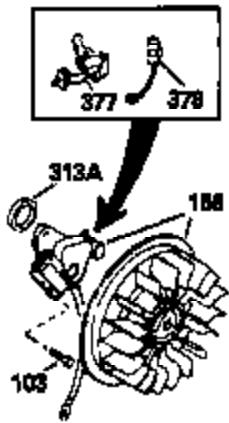
Ref #	Part Number	Qty	Description
1	35966	1	Cylinder (Incl. 2 & 20)
2	27652	2	Dowel Pin
25A	36244	1	Air Baffle
28	30322	1	Lock Nut, 8-32
72	27642	2	Oil Drain Plug
110A	35987	1	Oil Shut-Down Wire & Terminal
110	35183	1	Ground Wire
111	611162	1	Low Oil Shut-Down Switch (Incl. 112)
112	35967	1	* Low Oil Shut-Down Gasket
113	650950	4	Screw, Torx T-25, 10-24 x 5/8"
114	33932	1	Ground Terminal
115	650518	1	Lock Washer
169	27896A	2	* Valve Cover Gasket
170	28423	1	Breather Body
171	28424	1	Breather Element
172	28425	1	Valve Cover
173	35350	1	Breather Tube
174	650128	1	Screw, 10-24 x 1/2"
174A	650597	1	Screw, 10-24 x 5/8"
178	29752	2	Nut & Lock Washer, 1/4-28
207	33878	1	Throttle Link
239	27272A	1	* Air Cleaner Gasket
240	33266	1	Air Cleaner Body
242	33267	1	Air Cleaner Bracket
243	28820	2	Screw, 10-32 x 1/2"
245	33268	1	Air Cleaner Filter
250	33269A	1	Air Cleaner Cover
251	650513	1	Wing Nut, 1/4-20
264	650802	1	Screw, 1/4-20 x 5/8"
275	34185A	1	Muffler
276	31588	1	Locking Plate
277	650729	2	Screw, 5/16-18 x 3-3/16"
291	29774	1	Fuel Line
292	26460	2	Fuel Line Clamp
370B	35274	1	Instruction Decal
380	632696	1	Carburetor (Incl. 184)

ILLUSTRATION SHOWS TYPICAL PARTS ONLY. ORDER BY PART NUMBER. PARTS NOT LISTED ARE SUPPLIED BY OEM.

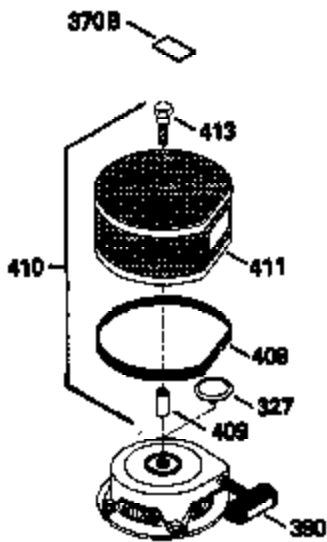
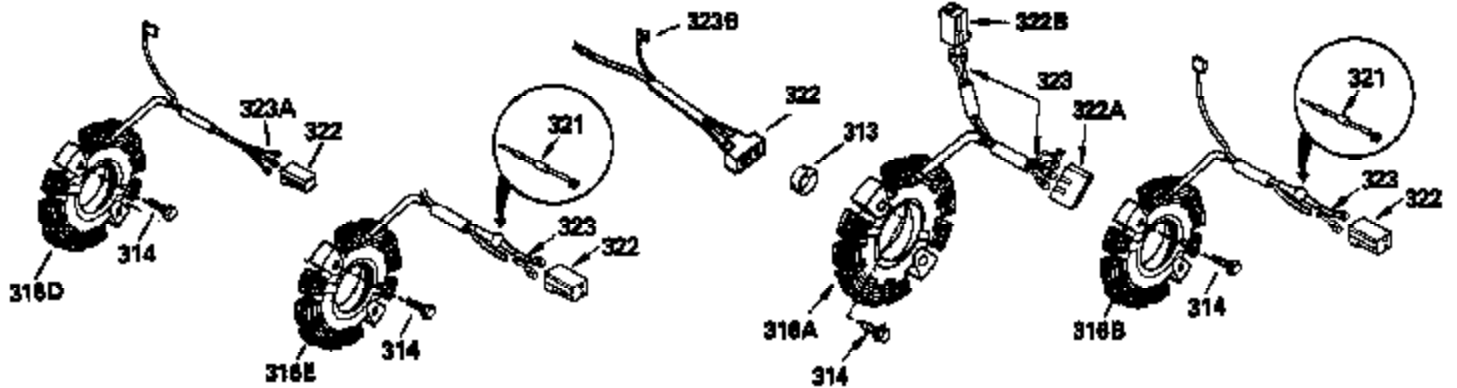
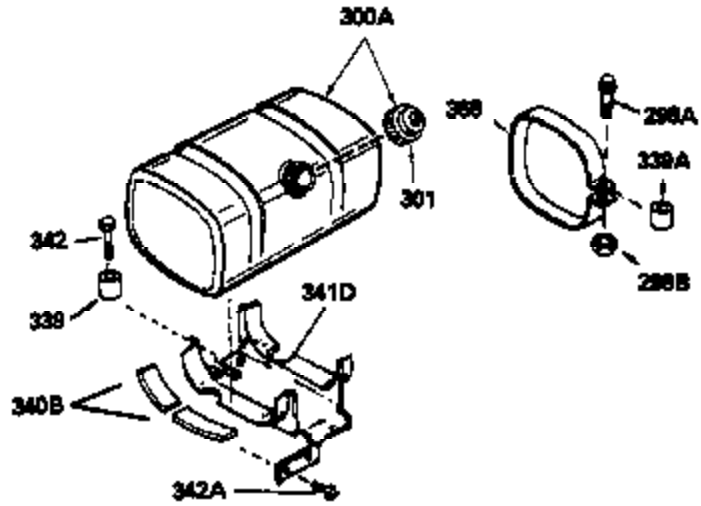


Ref #	Part Number	Qty	Description
16	33454	1	Governor Lever
17	29916	1	Governor Lever Clamp
18	650548	1	Screw, 8-32 x 5/16"
25A	36244	1	Air Baffle
28	30322	1	Lock Nut, 8-32
30	35441A	1	Crankshaft
35	29826	1	Screw, 10-32 x 3/4"
36	29918	1	Lock Washer
37	29216	1	Lock Nut, 10-32
38	29642	1	Retaining Ring
69	35262	1	* Cylinder Cover Gasket
70	35376	1	Cylinder Cover (Incl. 71, 75 & 80)
75	35319	1	Oil Seal
86	650833	7	Screw, 1/4-20 x 1-3/16"
87	650832	1	Screw, 1/4-20 x 1-11/16"
89	32589	1	Flywheel Key
131A	650738	1	Screw, 1/4-20 x 5/8"
174A	650597	1	Screw, 10-24 x 5/8"
242	33267	1	Air Cleaner Bracket
250	33269A	1	Air Cleaner Cover
264	650802	1	Screw, 1/4-20 x 5/8"
275	34185A	1	Muffler
277	650729	2	Screw, 5/16-18 x 3-3/16"

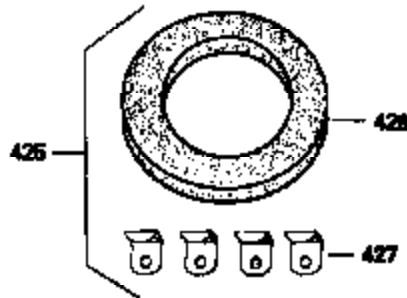
ILLUSTRATION SHOWS TYPICAL PARTS ONLY. ORDER BY PART NUMBER. PARTS NOT LISTED ARE SUPPLIED BY OEM.



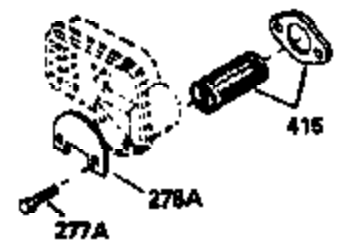
STD. POINT



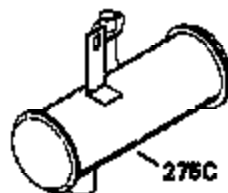
OPTIONAL
DEBRIS SCREEN KIT



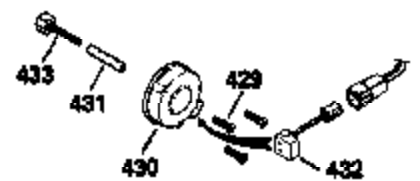
OPTIONAL
STARTER MUFF KIT



OPTIONAL
SPARK ARRESTOR KIT



OPTIONAL
QUIET MUFFLER



OPTIONAL
ADD-ON ALTERNATOR
AC LIGHTING OR DC CHARGING

Ref #	Part Number	Qty	Description
25A	36244	1	Air Baffle
28	30322	1	Lock Nut, 8-32
103	650814	2	Screw, Torx T-15, 10-24 x 1"
174A	650597	1	Screw, 10-24 x 5/8"
242	33267	1	Air Cleaner Bracket
250	33269A	1	Air Cleaner Cover
264	650802	1	Screw, 1/4-20 x 5/8"
327	35392	1	Starter Plug
342	30063	1	Screw, Torx T-30, 1/4-20 x 1/2"
370B	35274	1	Instruction Decal
390	590671	1	Rewind Starter (Note: This engine could have been built with 590704 starter. Refer to the design of the air intake louvers for part identification. individual starter parts do not interchange.)