

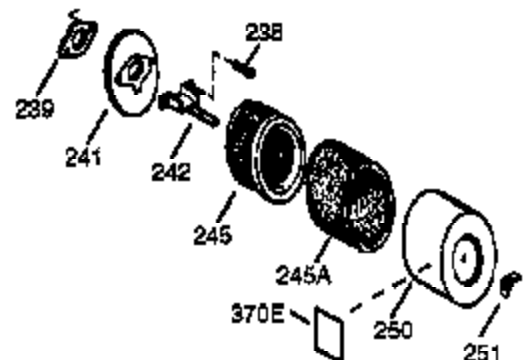
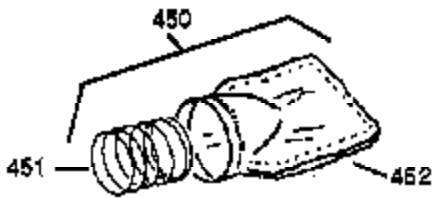
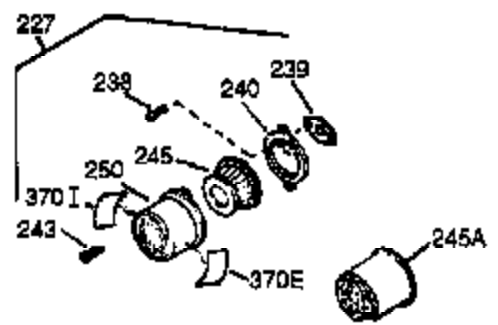
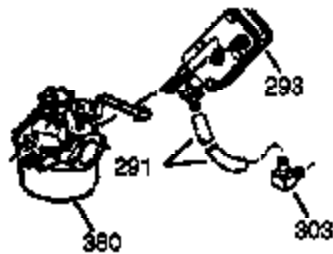
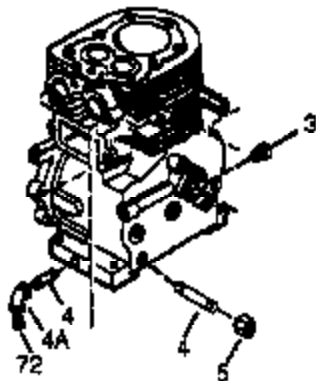
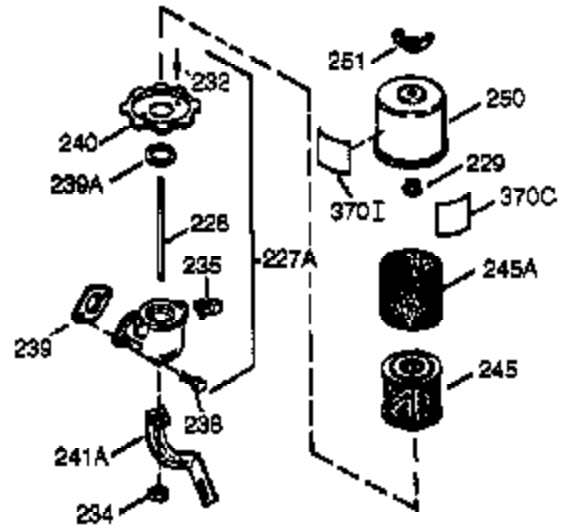
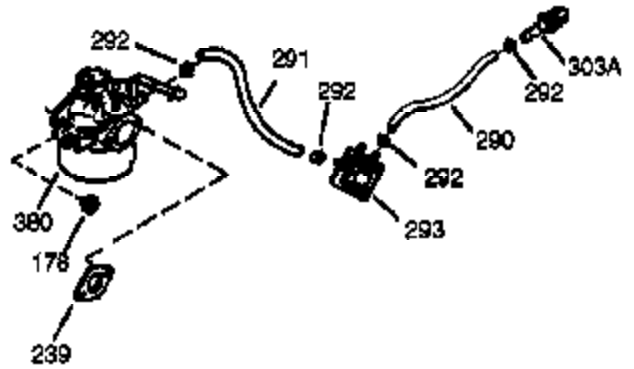
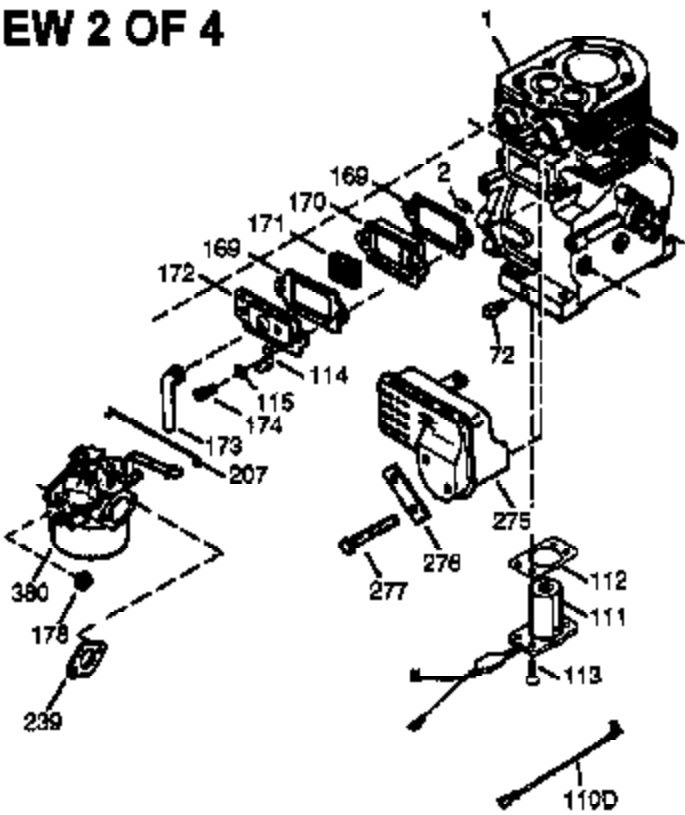
Ref #	Part Number	Qty	Description
	1 35385	1	Cylinder (Incl. 2 & 20)
	2 27652	2	Dowel Pin
	5 30969	1	Extension Cap
15B	650494	1	Screw, 6-40 x 5/16"
15A	30700	1	Governor Yoke
	15 30699C	1	Governor Rod (Incl. 15A & 15B)
	16 33454	1	Governor Lever
	17 29916	1	Governor Lever Clamp
	18 651028	1	Screw, Torx T-15, 8-32 x 3/8"
	19 34663	1	Speed Control Spring
	20 35319	1	Oil Seal
	25 36460	1	Blower Housing Baffle
	26 650561	2	Screw, 1/4-20 x 5/8"
	28 30322	1	Lock Nut, 8-32
	30 35372A	1	Crankshaft
	35 29826	1	Screw, 10-32 x 3/4"
	37 29216	1	Lock Nut, 10-32
	38 29642	1	Retaining Ring
	40 34552	1	Piston, Pin & Ring Set (Std.)
	40 34553	1	Piston, Pin & Ring Set (.010" OS)
	40 34554	1	Piston, Pin & Ring Set (.020" OS)
	41 34329A	1	Piston & Pin Ass'y. (Std.) (Incl. 43)
	41 34330A	1	Piston & Pin Ass'y. (.010" OS) (Incl. 43)
	41 34331A	1	Piston & Pin Ass'y. (.020" OS) (Incl. 43)
	42 34332	1	Ring Set (Std.)
	42 34333	1	Ring Set (.010" OS)
	42 34334	1	Ring Set (.020" OS)
	43 27888	2	Piston Pin Retaining Ring
	45 36897	1	Connecting Rod Ass'y. (Incl. 47 & 49)
	47 651033	2	Connecting Rod Bolt
	48 34034	2	Valve Lifter
	49 36896	1	Oil Dipper
	50 35375	1	Camshaft (MCR)
	60 33273A	1	Blower Housing Extension
	65 650128	1	Screw, 10-24 x 1/2"
	69 35262A	1	* Cylinder Cover Gasket
	70 35376	1	Cylinder Cover (Incl. 71, 75 & 80)
	71 35377	1	Crankshaft Bushing
	72 27642	2	Oil Drain Plug
72A	28582	1	Oil Drain Plug
	80 31845	1	Governor Shaft
	81 30590A	1	Washer
	82 35378	1	Governor Gear Ass'y. (Incl. 81)
	83 30588A	1	Governor Spool
	84 29193	1	Retaining Ring
	86 650833	7	Screw, 1/4-20 x 1-3/16"
	87 650832	1	Screw, 1/4-20 x 1-11/16"
	89 32589	1	Flywheel Key
	90 611090	1	Flywheel
	92 650880	1	Lock Washer
	93 650881	1	Flywheel Nut
	100 35135	1	Solid State Ignition
	101 610118	1	Spark Plug Cover
	102 650872	2	Solid State Mounting Stud
	103 651007	2	Screw, Torx T-15, 10-24 x 15/16"
	110 35187	1	Ground Wire
	119 36448	1	* Cylinder Head Gasket
	120 36449	1	Cylinder Head

Ref #	Part Number	Qty	Description
125	27878A	1	Exhaust Valve (Std.) (Incl. 151)
125	27880A	1	Exhaust Valve (1/32" OS) (Incl. 151)
126	34035	1	Intake Valve (Std.) (Incl. 151)
126	34036	1	Intake Valve (1/32" OS) (Incl. 151)
127	650691	9	Washer
128	650690	9	Belleville Washer
130A	650727	2	Screw, 5/16-18 x 1-3/4"
130	650694A	9	Screw, 5/16-18 x 2"
130B	650273	2	Screw, 5/16-18 x 5/8"
135	33636	1	Resistor Spark Plug (J8C/356)
139	33369	1	Governor Gear Bracket
140	650836	2	Screw, 10-24 x 1/2"
149	27882	1	Valve Spring Cap
149A	35862	1	Valve Spring Cap
150	27881	2	Valve Spring
151	32581	2	Valve Spring Keeper
169	27896A	2	* Valve Cover Gasket
170	28423	1	Breather Body
171	28424	1	Breather Element
172	28425	1	Valve Cover
173	35350	1	Breather Tube
174	650128	2	Screw, 10-24 x 1/2"
178	29752	2	Nut & Lock Washer, 1/4-28
182	30088A	2	Screw, 1/4-28 x 1"
184	33263	1	* Carburetor To Intake Pipe Gasket
185	34707	1	Intake Pipe
186	34667	1	Governor Link
200	34677	1	Control Bracket (Incl. 203 & 204)
203	31342	1	Compression Spring
204	651029	1	Screw, Torx T-10, 5-40 x 7/16"
206	610973	1	Terminal
207	33878	1	Throttle Link
209	650821	2	Screw, 10-32 x 1/2"
215	35882	1	Control Knob
223	650378	2	Screw, Torx T-30, 5/16-18 x 1-1/8"
224	27915A	1	* Intake Pipe Gasket
260	36250	1	Blower Housing
261	650788	2	Screw, 5/16-18 x 3/4"
262	29747B	2	Screw, Torx T-40, 5/16-24 x 21/32"
265	33272B	1	Cylinder Head Cover
275	34185B	1	Muffler
276	31588	1	Locking Plate
277	650729	2	Screw, 5/16-18 x 3-3/16"
280	36709	1	Heat Shield
281	33013	1	Starter Bubble Cover
282	650760	1	Screw, 8-32 x 3/8"
285	35985B	1	Starter Cup
287	29752	4	Nut & Lock Washer, 1/4-28
300	34186A	1	Fuel Tank (Incl. 292 & 301)
301	36246	1	Fuel Cap
305	35554	1	Oil Fill Tube
307	35499	1	"O" Ring
308	35540	1	Fill Tube Clip
310	36205	1	Dipstick
325	29443	1	Wire Clip
327	35392	1	Starter Plug
342	30063	1	Screw, Torx T-30, 1/4-20 x 1/2"
370	36261	1	Instruction Decal

Ref #	Part Number	Qty	Description
370C	35274	1	Instruction Decal
370A	35703	1	Throttle Decal
380	632689	1	Carburetor (Incl. 184)
390	590704	1	Rewind Starter (Note: This engine could have been built with 590671 starter. Refer to the design of the rope pulley strength ribs for part identification. Individual starter parts do not interchange. Refer to service bulletin number 518).
400	36450B	1	* Gasket Set (Incl. items marked PK i n notes) Incl. part #'s 27272A (1), 27896A (2), 27915A (1), 29673 (1), 33263 (1), 33629 (1), 34698A (1), 35262 (1), 36448 (1)
420	730225	1	SAE 30 4-Cycle Engine Oil (Quart)

ILLUSTRATION SHOWS TYPICAL PARTS ONLY. ORDER BY PART NUMBER. PARTS NOT LISTED ARE SUPPLIED BY OEM.

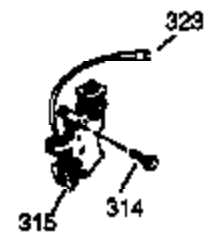
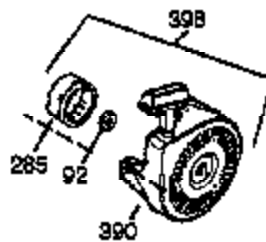
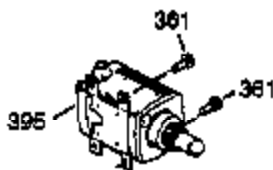
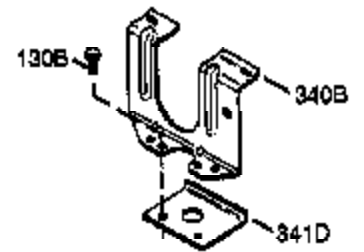
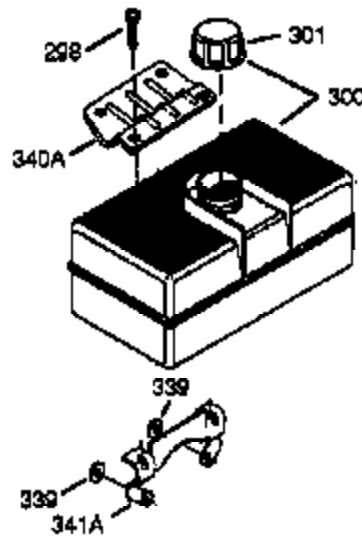
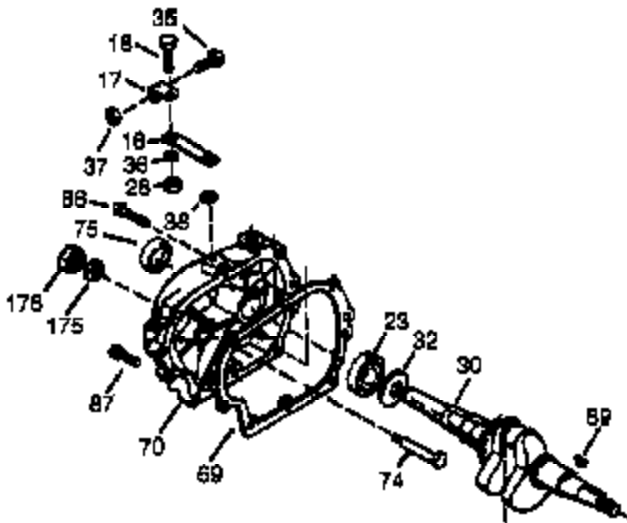
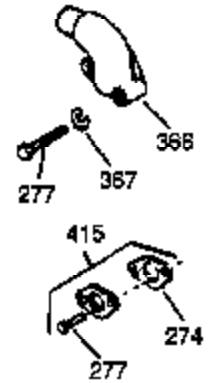
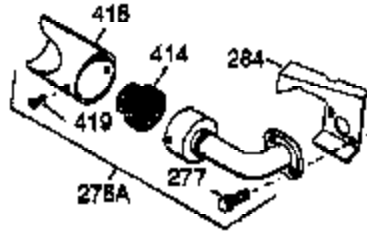
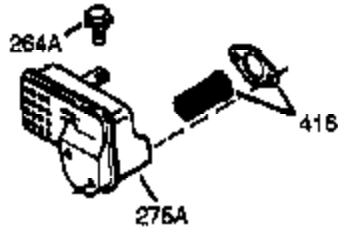
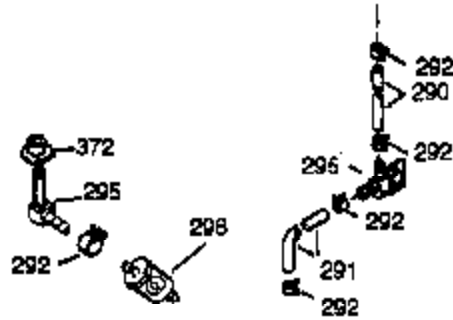
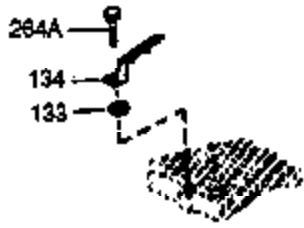
VIEW 2 OF 4



Ref #	Part Number	Qty	Description
1	35385	1	Cylinder (Incl. 2 & 20)
2	27652	2	Dowel Pin
4	32678	1	Oil Drain Extension (Purchase Locally)
5	30969	1	Extension Cap
72	27642	2	Oil Drain Plug
169	27896A	2	* Valve Cover Gasket
170	28423	1	Breather Body
171	28424	1	Breather Element
172	28425	1	Valve Cover
174	650128	2	Screw, 10-24 x 1/2"
178	29752	2	Nut & Lock Washer, 1/4-28
207	33878	1	Throttle Link
239	27272A	1	* Air Cleaner Gasket
240	33266	1	Air Cleaner Body
242	33267	1	Air Cleaner Bracket
243	28820	2	Screw, 10-32 x 1/2"
245A	35881	1	Air Cleaner Filter
245	33268	1	Air Cleaner Filter
250	33269A	1	Air Cleaner Cover
251	650513	1	Wing Nut, 1/4-20
275	34185B	1	Muffler
276	31588	1	Locking Plate
277	650729	2	Screw, 5/16-18 x 3-3/16"
280	36709	1	Heat Shield
291	30962	1	Fuel Line
292	26460	2	Fuel Line Clamp
308	35540	1	Fill Tube Clip
370C	35274	1	Instruction Decal
380	632689	1	Carburetor (Incl. 184)
420	730225	1	SAE 30 4-Cycle Engine Oil (Quart)

ILLUSTRATION SHOWS TYPICAL PARTS ONLY. ORDER BY PART NUMBER. PARTS NOT LISTED ARE SUPPLIED BY OEM.

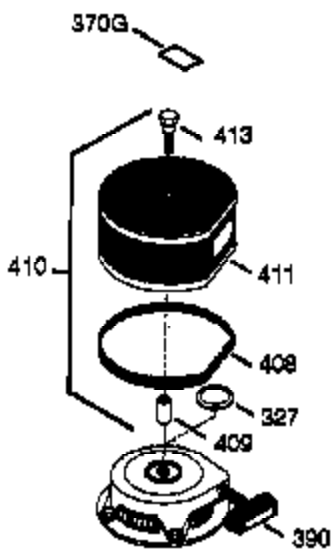
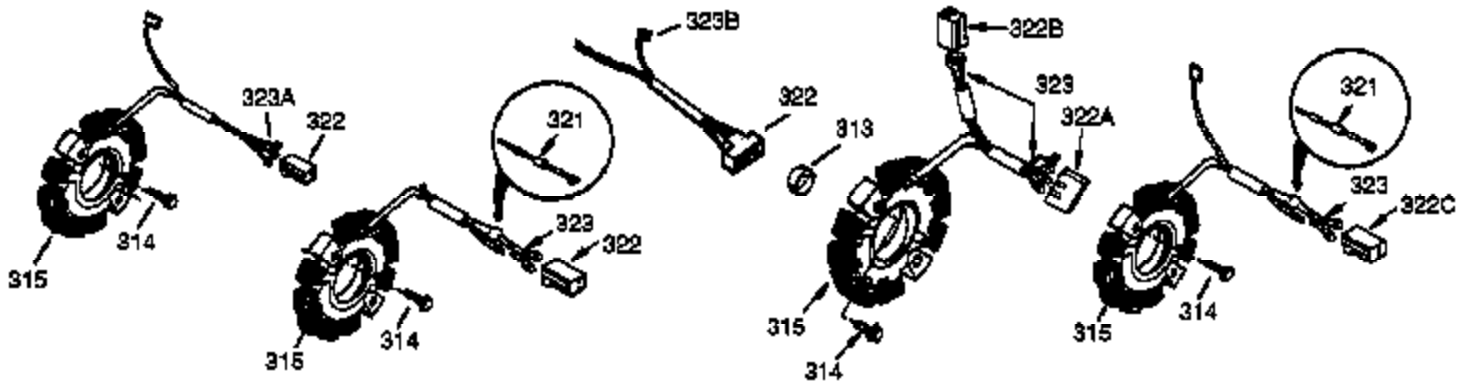
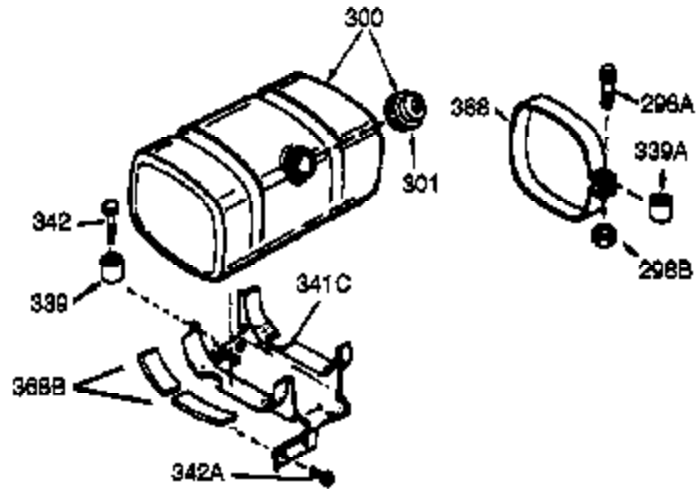
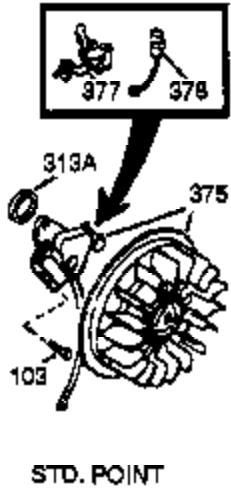
VIEW 3 OF 4



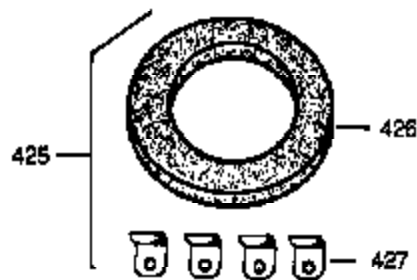
Ref #	Part Number	Qty	Description
16	33454	1	Governor Lever
17	29916	1	Governor Lever Clamp
18	651028	1	Screw, Torx T-15, 8-32 x 3/8"
28	30322	1	Lock Nut, 8-32
30	35372A	1	Crankshaft
35	29826	1	Screw, 10-32 x 3/4"
36	29918	1	Lock Washer
37	29216	1	Lock Nut, 10-32
38	29642	1	Retaining Ring
69	35262A	1	* Cylinder Cover Gasket
70	35376	1	Cylinder Cover (Incl. 71, 75 & 80)
75	35319	1	Oil Seal
86	650833	7	Screw, 1/4-20 x 1-3/16"
87	650832	1	Screw, 1/4-20 x 1-11/16"
89	32589	1	Flywheel Key
92	650880	1	Lock Washer
130B	650273	2	Screw, 5/16-18 x 5/8"
264A	650802	1	Screw, 1/4-20 x 5/8"
277	650729	2	Screw, 5/16-18 x 3-3/16"
280	36709	1	Heat Shield
285	35985B	1	Starter Cup
291	30962	1	Fuel Line
292	26460	2	Fuel Line Clamp
298	650665	2	Screw, 1/4-15 x 3/4"
300	34186A	1	Fuel Tank (Incl. 292 & 301)
301	36246	1	Fuel Cap
308	35540	1	Fill Tube Clip
339	35880	2	Spacer
340A	34259	1	Fuel Tank Bracket
341A	34258A	1	Fuel Tank Bracket
390	590704	1	Rewind Starter (Note: This engine could have been built with 590671 starter. Refer to the design of the rope pulley strength ribs for part identification. Individual starter parts do not interchange. Refer to service bulletin number 518).
420	730225	1	SAE 30 4-Cycle Engine Oil (Quart)

ILLUSTRATION SHOWS TYPICAL PARTS ONLY. ORDER BY PART NUMBER. PARTS NOT LISTED ARE SUPPLIED BY OEM.

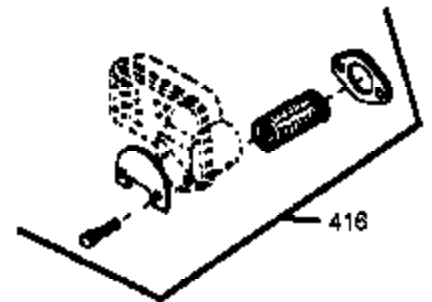
VIEW 4 OF 4



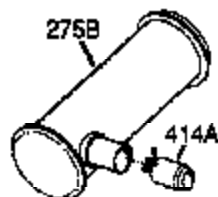
OPTIONAL
DEBRIS SCREEN KIT



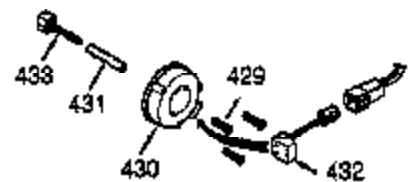
OPTIONAL
STARTER MUFF KIT



OPTIONAL
SPARK ARRESTOR KIT



OPTIONAL
QUIET MUFFLER



OPTIONAL
ADD-ON ALTERNATOR
AC LIGHTING OR DC CHARGING

Ref #	Part Number	Qty	Description
103	651007	2	Screw, Torx T-15, 10-24 x 15/16"
280	36709	1	Heat Shield
300	34186A	1	Fuel Tank (Incl. 292 & 301)
301	36246	1	Fuel Cap
308	35540	1	Fill Tube Clip
327	35392	1	Starter Plug
339	35880	2	Spacer
342	30063	1	Screw, Torx T-30, 1/4-20 x 1/2"
390	590704	1	Rewind Starter (Note: This engine could have been built with 590671 starter. Refer to the design of the rope pulley strength ribs for part identification. Individual starter parts do not interchange. Refer to service bulletin number 518).
420	730225	1	SAE 30 4-Cycle Engine Oil (Quart)