

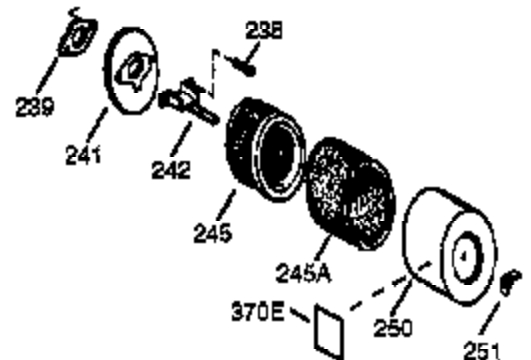
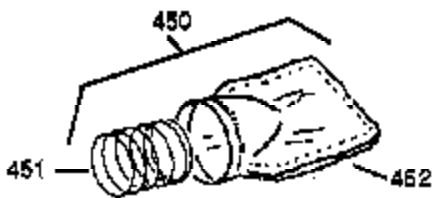
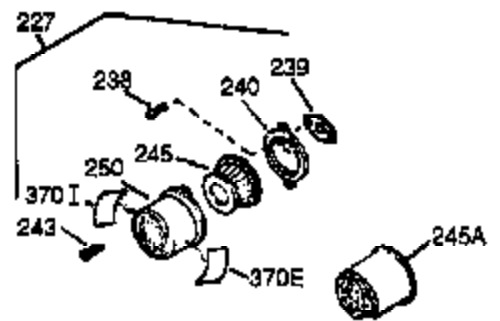
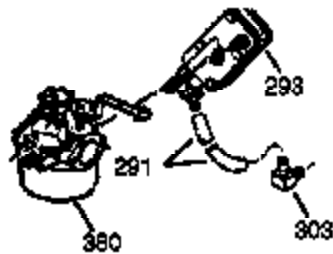
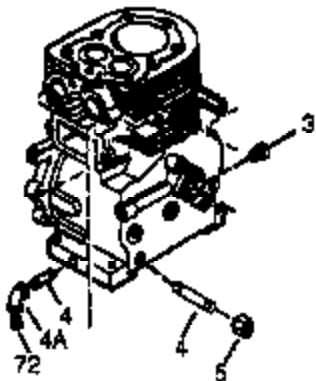
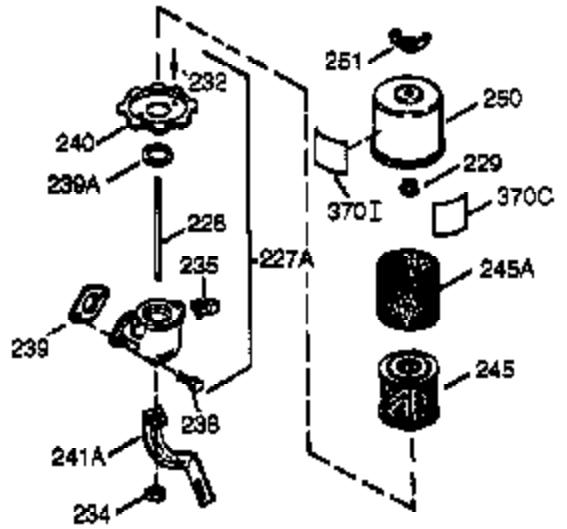
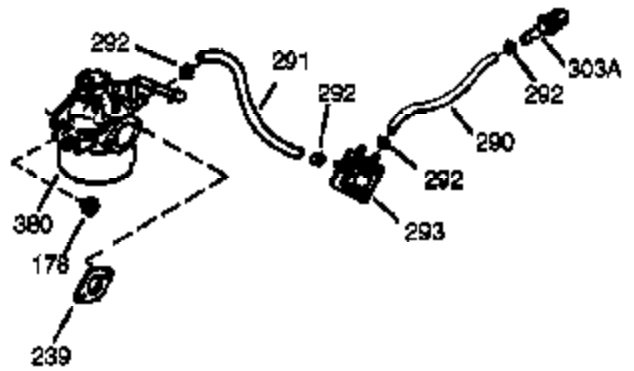
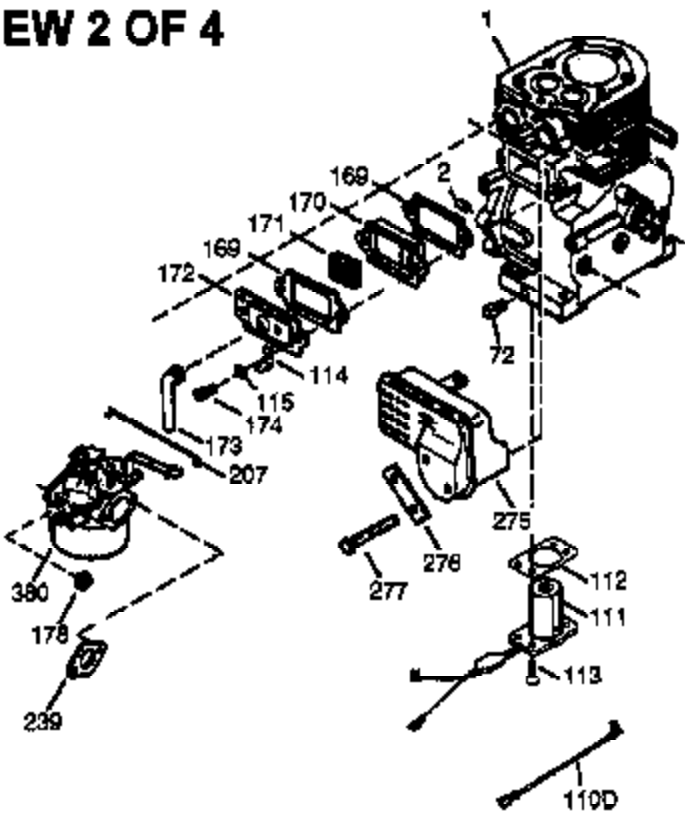
| Ref # | Part Number | Qty | Description |
|-------|-------------|-----|---|
| 1 | 35385 | 1 | Cylinder (Incl. 2 & 20) |
| 2 | 27652 | 2 | Dowel Pin |
| 5 | 30969 | 1 | Extension Cap |
| 15A | 30700 | 1 | Governor Yoke |
| 15 | 30699C | 1 | Governor Rod (Incl. 15A & 15B) |
| 15B | 650494 | 1 | Screw, 6-40 x 5/16" |
| 16 | 33454 | 1 | Governor Lever |
| 17 | 29916 | 1 | Governor Lever Clamp |
| 18 | 651028 | 1 | Screw, Torx T-15, 8-32 x 3/8" |
| 19 | 34663 | 1 | Speed Control Spring |
| 20 | 35319 | 1 | Oil Seal |
| 25 | 36460 | 1 | Blower Housing Baffle |
| 26 | 650561 | 2 | Screw, 1/4-20 x 5/8" |
| 28 | 30322 | 1 | Lock Nut, 8-32 |
| 30 | 36283A | 1 | Crankshaft |
| 35 | 29826 | 1 | Screw, 10-32 x 3/4" |
| 37 | 29216 | 1 | Lock Nut, 10-32 |
| 38 | 29642 | 1 | Retaining Ring |
| 40 | 34552 | 1 | Piston, Pin & Ring Set (Std.) |
| 40 | 34553 | 1 | Piston, Pin & Ring Set (.010" OS) |
| 40 | 34554 | 1 | Piston, Pin & Ring Set (.020" OS) |
| 41 | 34329A | 1 | Piston & Pin Ass'y. (Std.) (Incl. 43) |
| 41 | 34330A | 1 | Piston & Pin Ass'y. (.010" OS) (Incl. 43) |
| 41 | 34331A | 1 | Piston & Pin Ass'y. (.020" OS) (Incl. 43) |
| 42 | 34332 | 1 | Ring Set (Std.) |
| 42 | 34333 | 1 | Ring Set (.010" OS) |
| 42 | 34334 | 1 | Ring Set (.020" OS) |
| 43 | 27888 | 2 | Piston Pin Retaining Ring |
| 45 | 36897 | 1 | Connecting Rod Ass'y. (Incl. 47 & 49) |
| 47 | 651033 | 2 | Connecting Rod Bolt |
| 48 | 34034 | 2 | Valve Lifter |
| 49 | 36896 | 1 | Oil Dipper |
| 50 | 36569 | 1 | Camshaft (MCR) |
| 60 | 33273A | 1 | Blower Housing Extension |
| 65 | 650128 | 1 | Screw, 10-24 x 1/2" |
| 69 | 35262A | 1 | * Cylinder Cover Gasket |
| 70 | 35445A | 1 | Cylinder Cover (Incl. 71, 75 & 80) |
| 71 | 35377 | 1 | Crankshaft Bushing |
| 72 | 27642 | 2 | Oil Drain Plug |
| 76 | 28926 | 1 | Camshaft Seal |
| 80 | 31845 | 1 | Governor Shaft |
| 81 | 30590A | 1 | Washer |
| 82 | 35378 | 1 | Governor Gear Ass'y. (Incl. 81) |
| 83 | 30588A | 1 | Governor Spool |
| 84 | 29193 | 1 | Retaining Ring |
| 86 | 650833 | 7 | Screw, 1/4-20 x 1-3/16" |
| 87 | 650832 | 1 | Screw, 1/4-20 x 1-11/16" |
| 89 | 32589 | 1 | Flywheel Key |
| 90 | 611090 | 1 | Flywheel |
| 92 | 650880 | 1 | Lock Washer |
| 93 | 650881 | 1 | Flywheel Nut |
| 100 | 35135 | 1 | Solid State Ignition |
| 101 | 610118 | 1 | Spark Plug Cover |
| 102 | 650872 | 2 | Solid State Mounting Stud |
| 103 | 651007 | 2 | Screw, Torx T-15, 10-24 x 15/16" |
| 110 | 35187 | 1 | Ground Wire |
| 119 | 36448 | 1 | * Cylinder Head Gasket |
| 120 | 36449 | 1 | Cylinder Head |

| Ref # | Part Number | Qty | Description |
|-------|-------------|-----|--------------------------------------|
| 125 | 27878A | 1 | Exhaust Valve (Std.) (Incl. 151) |
| 125 | 27880A | 1 | Exhaust Valve (1/32" OS) (Incl. 151) |
| 126 | 34035 | 1 | Intake Valve (Std.) (Incl. 151) |
| 126 | 34036 | 1 | Intake Valve (1/32" OS) (Incl. 151) |
| 127 | 650691 | 9 | Washer |
| 128 | 650690 | 9 | Belleville Washer |
| 130A | 650727 | 2 | Screw, 5/16-18 x 1-3/4" |
| 130B | 650738 | 1 | Screw, 1/4-20 x 5/8" |
| 130 | 650694A | 9 | Screw, 5/16-18 x 2" |
| 135 | 33636 | 1 | Resistor Spark Plug (J8C/356) |
| 139 | 33369 | 1 | Governor Gear Bracket |
| 140 | 650836 | 2 | Screw, 10-24 x 1/2" |
| 149A | 35862 | 1 | Valve Spring Cap |
| 149 | 27882 | 1 | Valve Spring Cap |
| 150 | 27881 | 2 | Valve Spring |
| 151 | 32581 | 2 | Valve Spring Keeper |
| 169 | 27896A | 2 | * Valve Cover Gasket |
| 170 | 28423 | 1 | Breather Body |
| 171 | 28424 | 1 | Breather Element |
| 172 | 28425 | 1 | Valve Cover |
| 173 | 35350 | 1 | Breather Tube |
| 174 | 650128 | 2 | Screw, 10-24 x 1/2" |
| 178 | 29752 | 2 | Nut & Lock Washer, 1/4-28 |
| 182 | 30088A | 2 | Screw, 1/4-28 x 1" |
| 184 | 33263 | 1 | * Carburetor To Intake Pipe Gasket |
| 185 | 34707 | 1 | Intake Pipe |
| 186 | 34661 | 1 | Governor Link |
| 200 | 34677 | 1 | Control Bracket (Incl. 203 & 204) |
| 203 | 31342 | 1 | Compression Spring |
| 204 | 651029 | 1 | Screw, Torx T-10, 5-40 x 7/16" |
| 206 | 610973 | 1 | Terminal |
| 207 | 33878 | 1 | Throttle Link |
| 209 | 650821 | 2 | Screw, 10-32 x 1/2" |
| 215 | 32410 | 1 | Control Knob |
| 223 | 650378 | 2 | Screw, Torx T-30, 5/16-18 x 1-1/8" |
| 224 | 27915A | 1 | * Intake Pipe Gasket |
| 260 | 33375D | 1 | Blower Housing |
| 261 | 650788 | 2 | Screw, 5/16-18 x 3/4" |
| 262 | 29747B | 2 | Screw, Torx T-40, 5/16-24 x 21/32" |
| 265 | 33272B | 1 | Cylinder Head Cover |
| 275 | 34185B | 1 | Muffler |
| 276 | 31588 | 1 | Locking Plate |
| 277 | 650729 | 2 | Screw, 5/16-18 x 3-3/16" |
| 280 | 36709 | 1 | Heat Shield |
| 281 | 33013 | 1 | Starter Bubble Cover |
| 282 | 650760 | 1 | Screw, 8-32 x 3/8" |
| 285 | 35985B | 1 | Starter Cup |
| 287 | 29752 | 4 | Nut & Lock Washer, 1/4-28 |
| 296 | 34279B | 1 | Fuel Filter (Incl. 292) |
| 305 | 35554 | 1 | Oil Fill Tube |
| 307 | 35499 | 1 | "O" Ring |
| 308 | 35540 | 1 | Fill Tube Clip |
| 310 | 36205 | 1 | Dipstick |
| 325 | 29443 | 1 | Wire Clip |
| 327 | 35392 | 1 | Starter Plug |
| 342 | 30063 | 1 | Screw, Torx T-30, 1/4-20 x 1/2" |
| 370F | 35274 | 1 | Instruction Decal |
| 370 | 36261 | 1 | Instruction Decal |

| Ref # | Part Number | Qty | Description |
|-------|-------------|-----|--|
| 370A | 35703 | 1 | Throttle Decal |
| 380 | 632689 | 1 | Carburetor (Incl. 184) |
| 390 | 590704 | 1 | Rewind Starter (Note: This engine could have been built with 590671 starter. Refer to the design of the rope pulley strength ribs for part identification. Individual starter parts do not interchange. Refer to service bulletin number 518.) |
| 400 | 36450B | 1 | * Gasket Set (Incl. items marked PK i n notes) Incl. part #'s 27272A (1), 27896A (2), 27915A (1), 29673 (1), 33263 (1), 33629 (1), 34698A (1), 35262 (1), 36448 (1) |
| 420 | 730225 | 1 | SAE 30 4-Cycle Engine Oil (Quart) |

ILLUSTRATION SHOWS TYPICAL PARTS ONLY. ORDER BY PART NUMBER. PARTS NOT LISTED ARE SUPPLIED BY OEM.

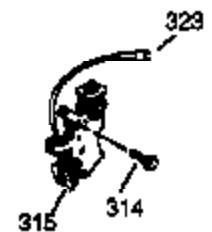
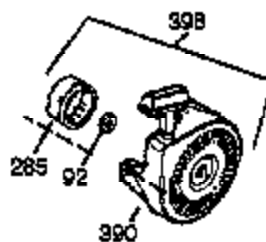
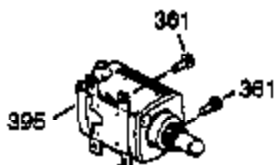
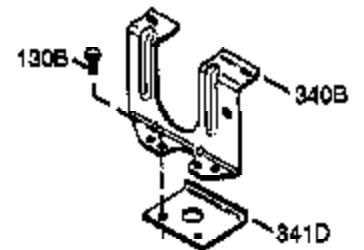
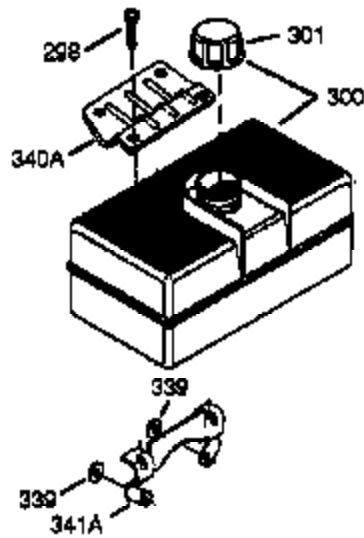
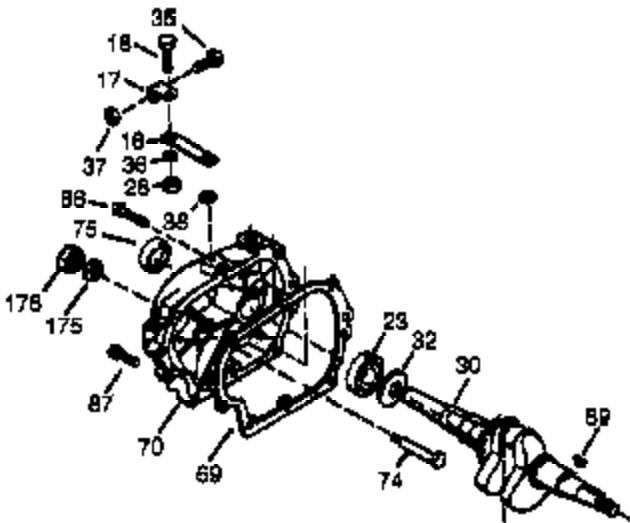
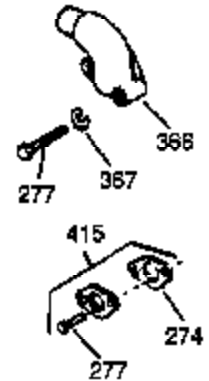
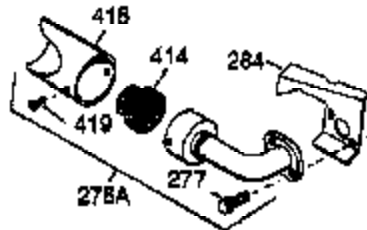
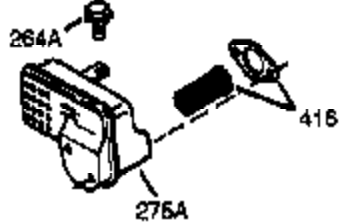
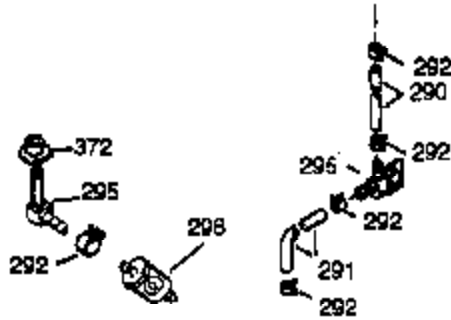
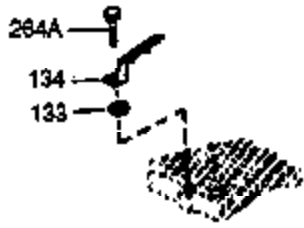
VIEW 2 OF 4



| Ref # | Part Number | Qty | Description |
|-------|-------------|-----|-----------------------------------|
| 1 | 35385 | 1 | Cylinder (Incl. 2 & 20) |
| 2 | 27652 | 2 | Dowel Pin |
| 4 | 32678 | 1 | Oil Drain Extension |
| 5 | 30969 | 1 | Extension Cap |
| 72 | 27642 | 2 | Oil Drain Plug |
| 169 | 27896A | 2 | * Valve Cover Gasket |
| 170 | 28423 | 1 | Breather Body |
| 171 | 28424 | 1 | Breather Element |
| 172 | 28425 | 1 | Valve Cover |
| 174 | 650128 | 2 | Screw, 10-24 x 1/2" |
| 178 | 29752 | 2 | Nut & Lock Washer, 1/4-28 |
| 207 | 33878 | 1 | Throttle Link |
| 239 | 27272A | 1 | * Air Cleaner Gasket |
| 240 | 33266 | 1 | Air Cleaner Body |
| 242 | 33267 | 1 | Air Cleaner Bracket |
| 243 | 28820 | 2 | Screw, 10-32 x 1/2" |
| 245 | 33268 | 1 | Air Cleaner Filter |
| 245A | 35881 | 1 | Air Cleaner Filter |
| 250 | 33269A | 1 | Air Cleaner Cover |
| 251 | 650513 | 1 | Wing Nut, 1/4-20 |
| 275 | 34185B | 1 | Muffler |
| 276 | 31588 | 1 | Locking Plate |
| 277 | 650729 | 2 | Screw, 5/16-18 x 3-3/16" |
| 280 | 36709 | 1 | Heat Shield |
| 290 | 30705 | 1 | Fuel Line |
| 292 | 26460 | 2 | Fuel Line Clamp |
| 308 | 35540 | 1 | Fill Tube Clip |
| 370F | 35274 | 1 | Instruction Decal |
| 380 | 632689 | 1 | Carburetor (Incl. 184) |
| 420 | 730225 | 1 | SAE 30 4-Cycle Engine Oil (Quart) |

ILLUSTRATION SHOWS TYPICAL PARTS ONLY. ORDER BY PART NUMBER. PARTS NOT LISTED ARE SUPPLIED BY OEM.

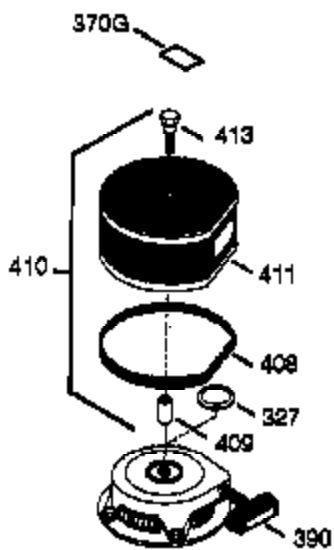
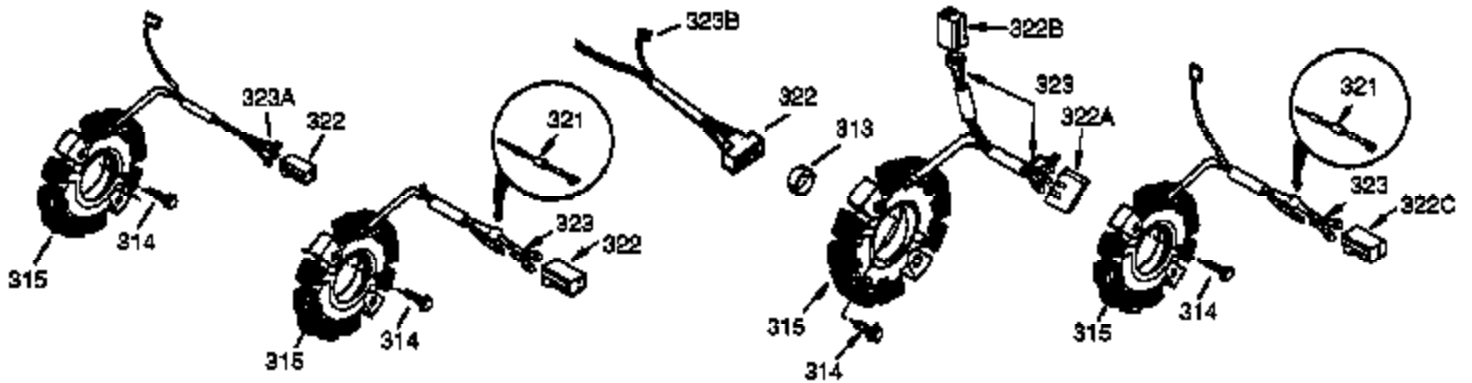
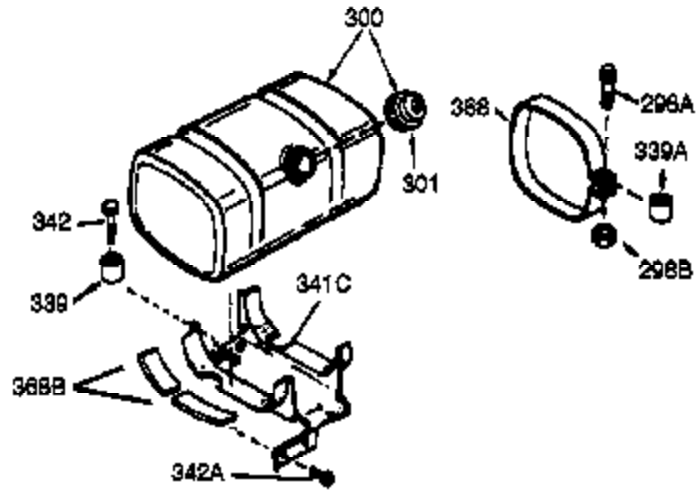
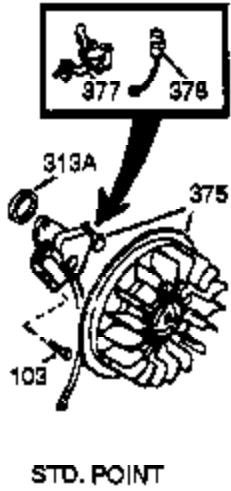
VIEW 3 OF 4



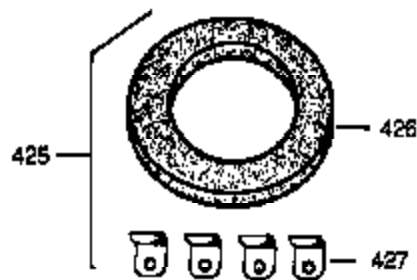
| Ref # | Part Number | Qty | Description |
|-------|-------------|-----|--|
| 16 | 33454 | 1 | Governor Lever |
| 17 | 29916 | 1 | Governor Lever Clamp |
| 18 | 651028 | 1 | Screw, Torx T-15, 8-32 x 3/8" |
| 28 | 30322 | 1 | Lock Nut, 8-32 |
| 30 | 36283A | 1 | Crankshaft |
| 35 | 29826 | 1 | Screw, 10-32 x 3/4" |
| 36 | 29918 | 1 | Lock Washer |
| 37 | 29216 | 1 | Lock Nut, 10-32 |
| 38 | 29642 | 1 | Retaining Ring |
| 69 | 35262A | 1 | * Cylinder Cover Gasket |
| 70 | 35445A | 1 | Cylinder Cover (Incl. 71, 75 & 80) |
| 75 | 35319 | 1 | Oil Seal |
| 86 | 650833 | 7 | Screw, 1/4-20 x 1-3/16" |
| 87 | 650832 | 1 | Screw, 1/4-20 x 1-11/16" |
| 89 | 32589 | 1 | Flywheel Key |
| 92 | 650880 | 1 | Lock Washer |
| 130B | 650738 | 1 | Screw, 1/4-20 x 5/8" |
| 264A | 650802 | 1 | Screw, 1/4-20 x 5/8" |
| 277 | 650729 | 2 | Screw, 5/16-18 x 3-3/16" |
| 280 | 36709 | 1 | Heat Shield |
| 285 | 35985B | 1 | Starter Cup |
| 290 | 30705 | 1 | Fuel Line |
| 292 | 26460 | 2 | Fuel Line Clamp |
| 296 | 34279B | 1 | Fuel Filter (Incl. 292) |
| 308 | 35540 | 1 | Fill Tube Clip |
| 370F | 35274 | 1 | Instruction Decal |
| 390 | 590704 | 1 | Rewind Starter (Note: This engine could have been built with 590671 starter. Refer to the design of the rope pulley strength ribs for part identification. Individual starter parts do not interchange. Refer to service bulletin number 518.) |
| 420 | 730225 | 1 | SAE 30 4-Cycle Engine Oil (Quart) |

ILLUSTRATION SHOWS TYPICAL PARTS ONLY. ORDER BY PART NUMBER. PARTS NOT LISTED ARE SUPPLIED BY OEM.

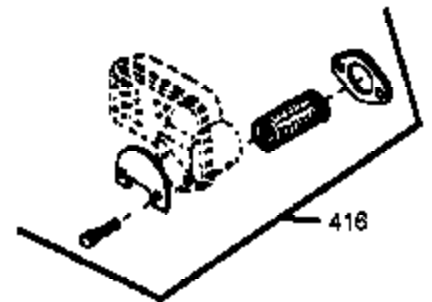
VIEW 4 OF 4



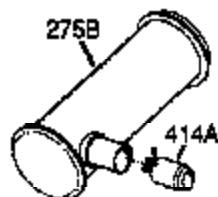
OPTIONAL
 DEBRIS SCREEN KIT



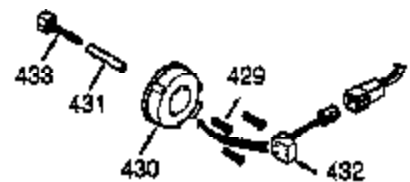
OPTIONAL
 STARTER MUFF KIT



OPTIONAL
 SPARK ARRESTOR KIT



OPTIONAL
 QUIET MUFFLER



OPTIONAL
 ADD-ON ALTERNATOR
 AC LIGHTING OR DC CHARGING

| Ref # | Part Number | Qty | Description |
|-------|-------------|-----|--|
| 103 | 651007 | 2 | Screw, Torx T-15, 10-24 x 15/16" |
| 280 | 36709 | 1 | Heat Shield |
| 308 | 35540 | 1 | Fill Tube Clip |
| 327 | 35392 | 1 | Starter Plug |
| 342 | 30063 | 1 | Screw, Torx T-30, 1/4-20 x 1/2" |
| 370F | 35274 | 1 | Instruction Decal |
| 390 | 590704 | 1 | Rewind Starter (Note: This engine could have been built with 590671 starter. Refer to the design of the rope pulley strength ribs for part identification. Individual starter parts do not interchange. Refer to service bulletin number 518.) |
| 420 | 730225 | 1 | SAE 30 4-Cycle Engine Oil (Quart) |