

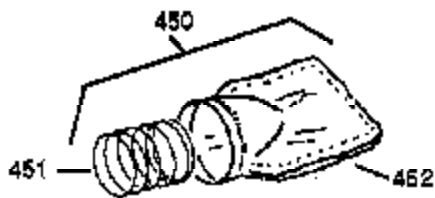
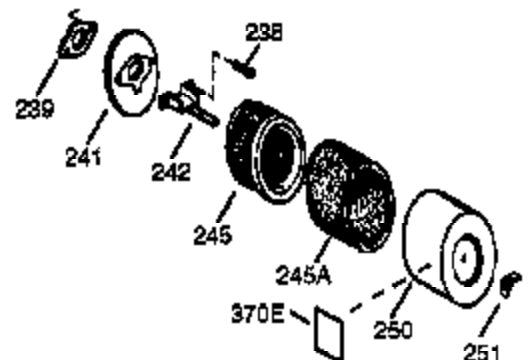
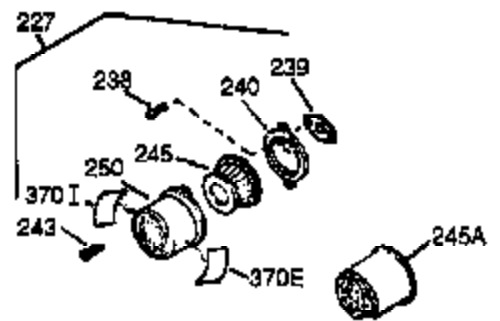
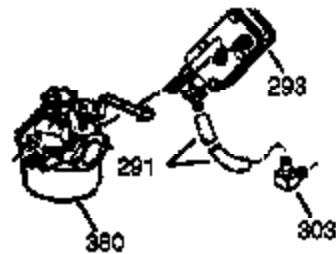
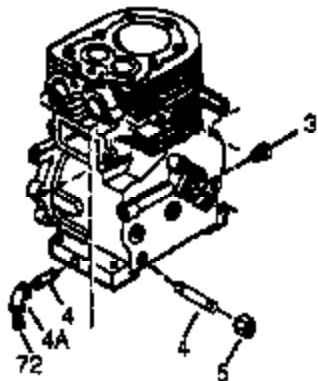
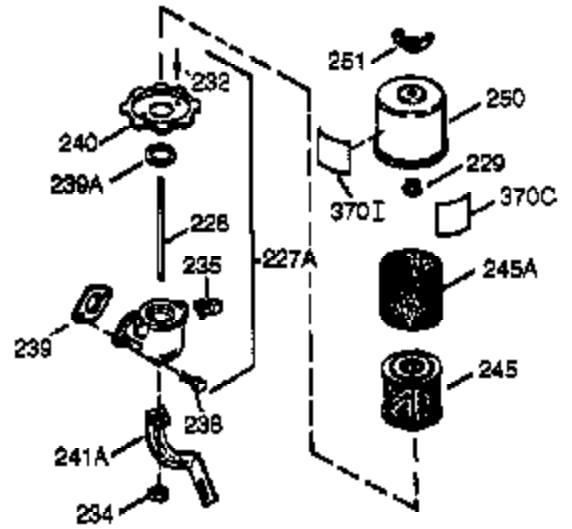
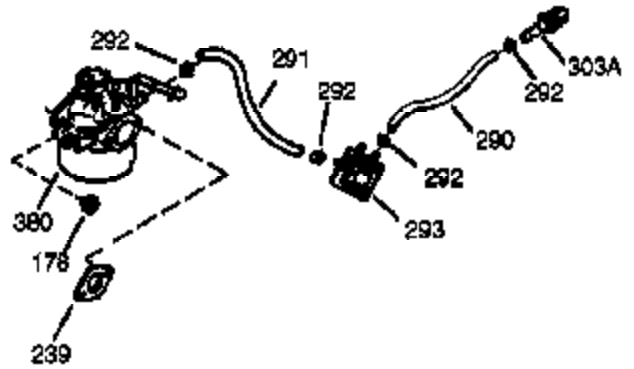
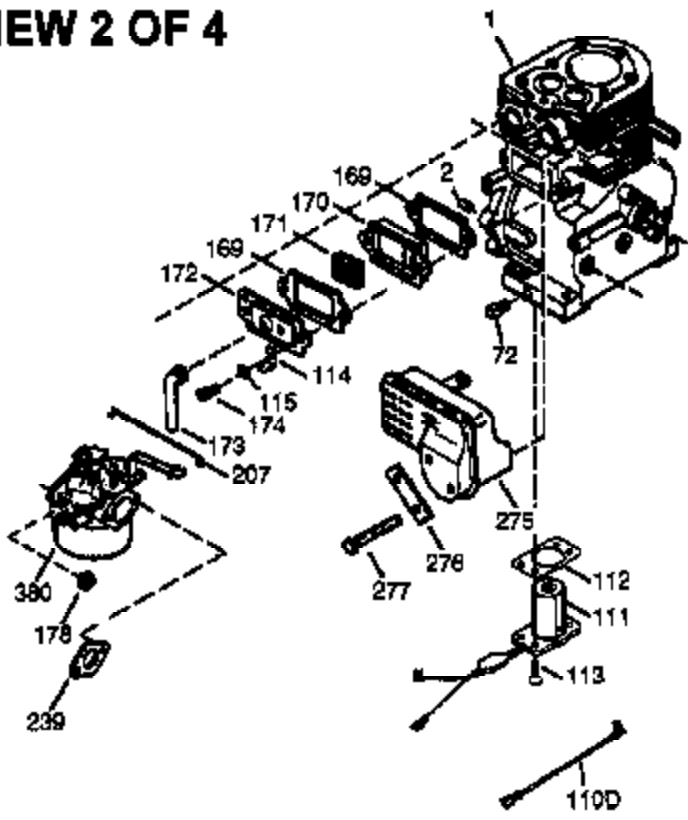
Ref #	Part Number	Qty	Description
1	35385	1	Cylinder (Incl. 2 & 20)
2	27652	2	Dowel Pin
5	30969	1	Extension Cap
15B	650494	1	Screw, 6-40 x 5/16"
15	30699C	1	Governor Rod (Incl. 15A & 15B)
15A	30700	1	Governor Yoke
16	33454	1	Governor Lever
17	29916	1	Governor Lever Clamp
18	651028	1	Screw, Torx T-15, 8-32 x 3/8"
19	34663	1	Speed Control Spring
20	35319	1	Oil Seal
25	36460	1	Blower Housing Baffle
26	650561	2	Screw, 1/4-20 x 5/8"
28	30322	1	Lock Nut, 8-32
30	36283A	1	Crankshaft
35	29826	1	Screw, 10-32 x 3/4"
37	29216	1	Lock Nut, 10-32
38	29642	1	Retaining Ring
40	40011	1	Piston, Pin & Ring Set (Std.)
40	40012	1	Piston, Pin & Ring Set (.010" OS)
41	40009	1	Piston & Pin Ass'y. (Std.) (Incl. 43)
41	40010	1	Piston & Pin Ass'y. (.010" OS) (Incl. 43)
42	40013	1	Ring Set (Std.)
42	40014	1	Ring Set (.010" OS)
43	27888	2	Piston Pin Retaining Ring
45	36897	1	Connecting Rod Ass'y. (Incl. 47 & 49)
47	651033	2	Connecting Rod Bolt
48	34034	2	Valve Lifter
49	36896	1	Oil Dipper
50	36569	1	Camshaft (MCR)
60	33273A	1	Blower Housing Extension
65	650128	1	Screw, 10-24 x 1/2"
69	35262A	1	* Cylinder Cover Gasket
70	35445A	1	Cylinder Cover (Incl. 71, 75 & 80)
71	35377	1	Crankshaft Bushing
72	27642	1	Oil Drain Plug
76	28926	1	Camshaft Seal
80	31845	1	Governor Shaft
81	30590A	1	Washer
82	35378	1	Governor Gear Ass'y. (Incl. 81)
83	30588A	1	Governor Spool
84	29193	1	Retaining Ring
86	650833	7	Screw, 1/4-20 x 1-3/16"
87	650832	1	Screw, 1/4-20 x 1-11/16"
89	32589	1	Flywheel Key
90	611090	1	Flywheel
92	650880	1	Lock Washer
93	650881	1	Flywheel Nut
100	35135	1	Solid State Ignition
101	610118	1	Spark Plug Cover
102	651024	2	Solid State Mounting Stud
103	651007	2	Screw, Torx T-15, 10-24 x 15/16"
110	35187	1	Ground Wire
119	36448	1	* Cylinder Head Gasket
120	36449	1	Cylinder Head
125	27878A	1	Exhaust Valve (Std.) (Incl. 151)
125	27880A	1	Exhaust Valve (1/32" OS) (Incl. 151)
126	34035	1	Intake Valve (Std.) (Incl. 151)

Ref #	Part Number	Qty	Description
	126 34036	1	Intake Valve (1/32" OS) (Incl. 151)
	127 650691	9	Washer
	128 650690	9	Belleville Washer
	130 650694A	9	Screw, 5/16-18 x 2"
	130A 651031	1	Screw, 1/4-20 x 9/16"
	135 33636	1	Resistor Spark Plug (RJ17LM)
	139 33369	1	Governor Gear Bracket
	140 650836	2	Screw, 10-24 x 1/2"
	149 27882	1	Valve Spring Cap
	149A 35862	1	Valve Spring Cap
	150 27881	2	Valve Spring
	151 32581	2	Valve Spring Keeper
	169 27896A	2	* Valve Cover Gasket
	170 28423	1	Breather Body
	171 28424	1	Breather Element
	172 28425	1	Valve Cover
	173 36675A	1	Breather Tube
	173A 32446	1	Breather Tube Grommet
	174 650128	2	Screw, 10-24 x 1/2"
	178 29752	2	Nut & Lock Washer, 1/4-28
	182 30088A	2	Screw, 1/4-28 x 1"
	184 33263	1	* Carburetor To Intake Pipe Gasket
	185 34707	1	Intake Pipe
	186 34661	1	Governor Link
	200 34677	1	Control Bracket (Incl. 203 & 204)
	203 31342	1	Compression Spring
	204 651029	1	Screw, Torx T-10, 5-40 x 7/16"
	206 610973	1	Terminal
	207 33878	1	Throttle Link
	209 650821	2	Screw, 10-32 x 1/2"
	215 32410	1	Control Knob
	223 650378	2	Screw, Torx T-30, 5/16-18 x 1-1/8"
	224 27915A	1	* Intake Pipe Gasket
	260 33375D	1	Blower Housing
	261 650788	2	Screw, 5/16-18 x 3/4"
	262 29747B	2	Screw, Torx T-40, 5/16-24 x 21/32"
	265 33272B	1	Cylinder Head Cover
	275 34185B	1	Muffler
	276 31588	1	Locking Plate
	277 650729	1	Screw, 5/16-18 x 3-3/16"
	277A 651036	1	Screw, 5/16-18 x 3-31/32"
	278 36908	1	Spacer
	280 36799A	1	Heat Shield
	281 33013	1	Starter Bubble Cover
	282 650760	1	Screw, 8-32 x 3/8"
	285 35985B	1	Starter Cup
	287 29752	4	Nut & Lock Washer, 1/4-28
	296 34279B	1	Fuel Filter (Incl. 292)
	305 35554	1	Oil Fill Tube
	307 35499	1	"O" Ring
	308 35540	1	Fill Tube Clip
	310 36205	1	Dipstick
	325 29443	1	Wire Clip
	327 35392	1	Starter Plug
	342 30063	1	Screw, Torx T-30, 1/4-20 x 1/2"
	370 36261	1	Identification Decal
	370J 35703	1	Throttle Decal
	370G 35274	1	Oil Instruction Decal

Ref #	Part Number	Qty	Description
380	640112	1	Carburetor (Incl. 184)
390	590704	1	Rewind Starter (Note: This engine could have been built with 590746 starter.)
400	36450B	1	* Gasket Set (Incl. items marked PK i n notes) Incl. part #'s 27272A (1), 27896A (2), 27915A (1), 29673 (1), 33263 (1), 33629 (1), 34698A (1), 35262A (1), 36448 (1)
420	730225	1	SAE 30 4-Cycle Engine Oil (Quart)

ILLUSTRATION SHOWS TYPICAL PARTS ONLY. ORDER BY PART NUMBER. PARTS NOT LISTED ARE SUPPLIED BY OEM.

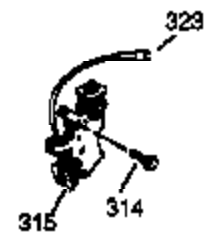
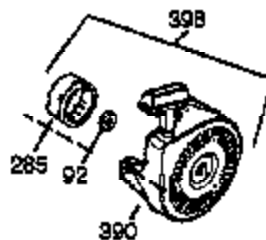
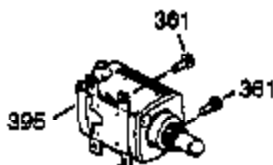
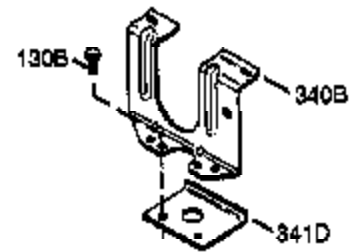
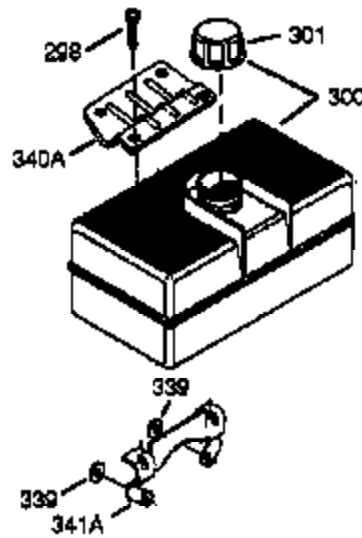
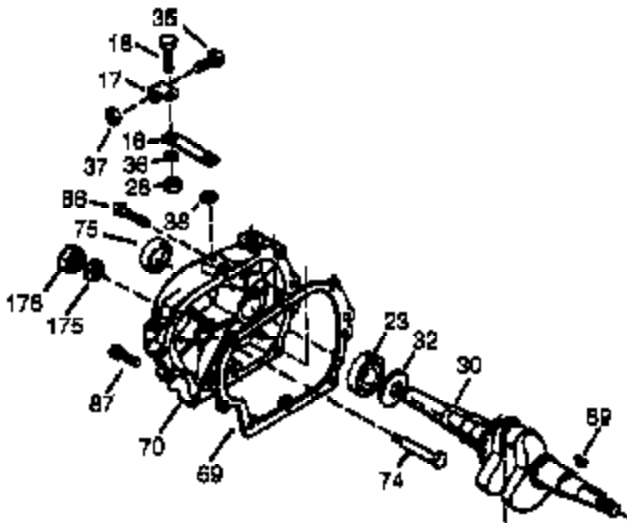
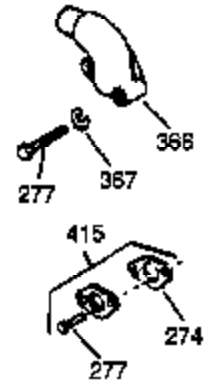
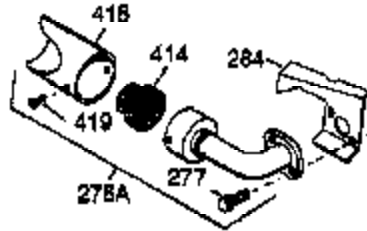
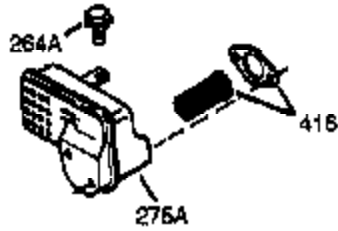
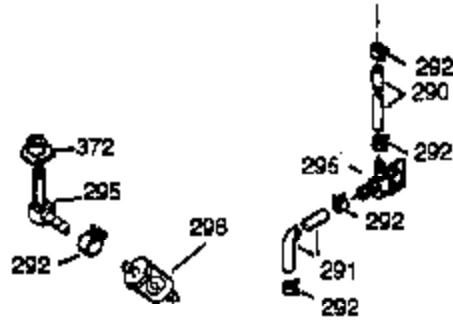
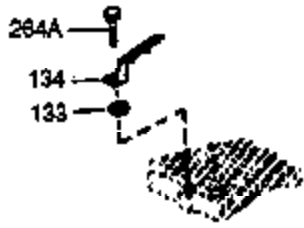
VIEW 2 OF 4



Ref #	Part Number	Qty	Description
	1 35385	1	Cylinder (Incl. 2 & 20)
	2 27652	2	Dowel Pin
	4 32678	1	Oil Drain Extension
	5 30969	1	Extension Cap
	72 27642	1	Oil Drain Plug
	169 27896A	2	* Valve Cover Gasket
	170 28423	1	Breather Body
	171 28424	1	Breather Element
	172 28425	1	Valve Cover
	173A 32446	1	Breather Tube Grommet
	174 650128	2	Screw, 10-24 x 1/2"
	178 29752	2	Nut & Lock Washer, 1/4-28
	207 33878	1	Throttle Link
	239 27272A	1	* Air Cleaner Gasket
	240 33266	1	Air Cleaner Body
	242 33267	1	Air Cleaner Bracket
	243 28820	2	Screw, 10-32 x 1/2"
	245 33268	1	Air Cleaner Filter
	245A 35881	1	Air Cleaner Filter
	250 33269A	1	Air Cleaner Cover
	251 650513	1	Wing Nut, 1/4-20
	275 34185B	1	Muffler
	276 31588	1	Locking Plate
	277 650729	1	Screw, 5/16-18 x 3-3/16"
	277A 651036	1	Screw, 5/16-18 x 3-31/32"
	278 36908	1	Spacer
	280 36799A	1	Heat Shield
	290 30705	1	Fuel Line
	292 26460	2	Fuel Line Clamp
	308 35540	1	Fill Tube Clip
	380 640112	1	Carburetor (Incl. 184)
	420 730225	1	SAE 30 4-Cycle Engine Oil (Quart)

ILLUSTRATION SHOWS TYPICAL PARTS ONLY. ORDER BY PART NUMBER. PARTS NOT LISTED ARE SUPPLIED BY OEM.

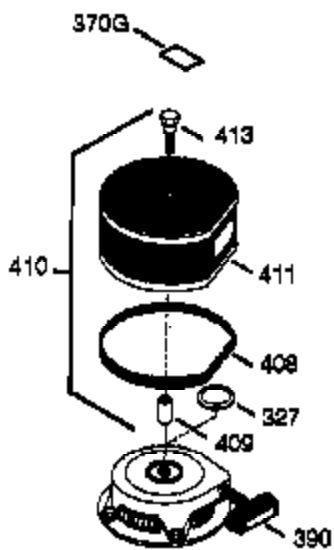
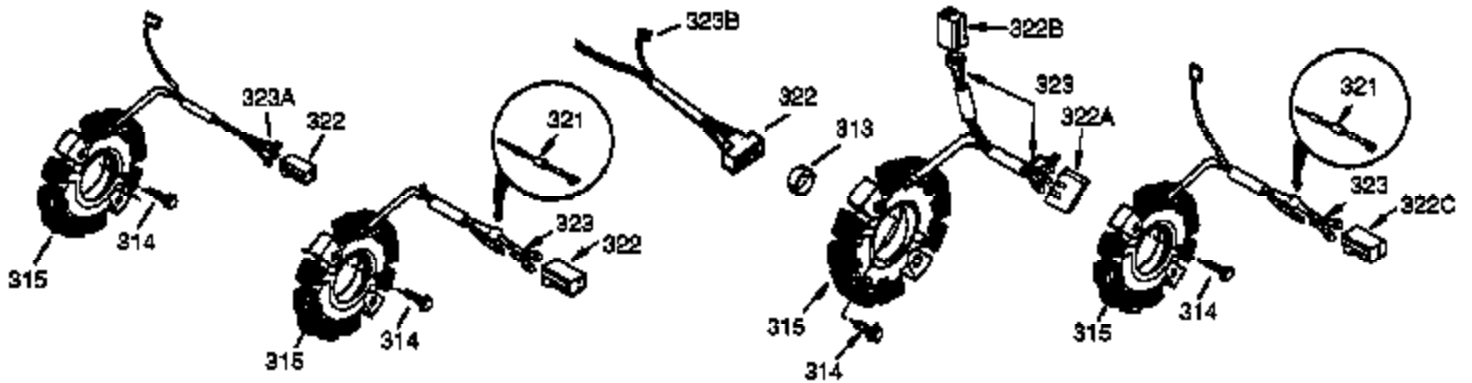
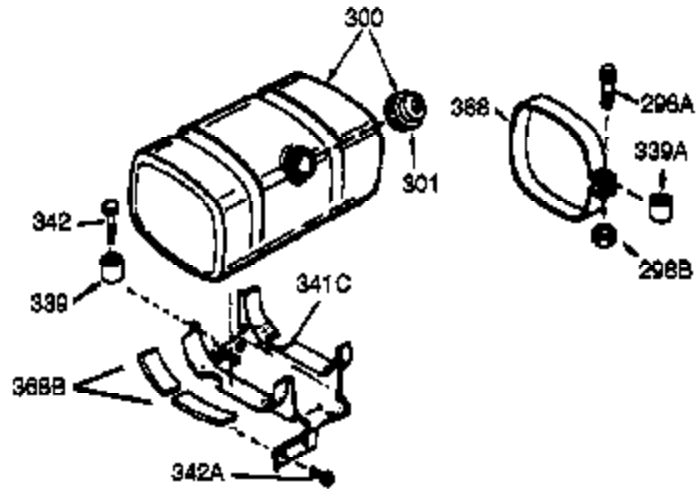
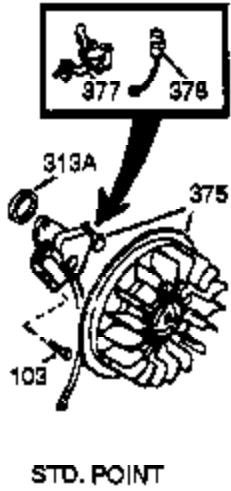
VIEW 3 OF 4



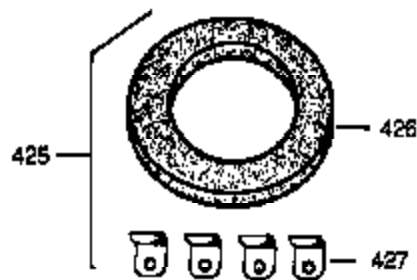
Ref #	Part Number	Qty	Description
16	33454	1	Governor Lever
17	29916	1	Governor Lever Clamp
18	651028	1	Screw, Torx T-15, 8-32 x 3/8"
28	30322	1	Lock Nut, 8-32
30	36283A	1	Crankshaft
35	29826	1	Screw, 10-32 x 3/4"
36	29918	1	Lock Washer
37	29216	1	Lock Nut, 10-32
38	29642	1	Retaining Ring
69	35262A	1	* Cylinder Cover Gasket
70	35445A	1	Cylinder Cover (Incl. 71, 75 & 80)
75	35319	1	Oil Seal
86	650833	7	Screw, 1/4-20 x 1-3/16"
87	650832	1	Screw, 1/4-20 x 1-11/16"
89	32589	1	Flywheel Key
92	650880	1	Lock Washer
173A	32446	1	Breather Tube Grommet
264A	650802	1	Screw, 1/4-20 x 5/8"
277	650729	1	Screw, 5/16-18 x 3-3/16"
277A	651036	1	Screw, 5/16-18 x 3-31/32"
278	36908	1	Spacer
280	36799A	1	Heat Shield
285	35985B	1	Starter Cup
290	30705	1	Fuel Line
292	26460	2	Fuel Line Clamp
296	34279B	1	Fuel Filter (Incl. 292)
308	35540	1	Fill Tube Clip
390	590704	1	Rewind Starter (Note: This engine could have been built with 590746 starter.)
416	34479A	1	Spark Arrestor Kit (Optional)
420	730225	1	SAE 30 4-Cycle Engine Oil (Quart)

ILLUSTRATION SHOWS TYPICAL PARTS ONLY. ORDER BY PART NUMBER. PARTS NOT LISTED ARE SUPPLIED BY OEM.

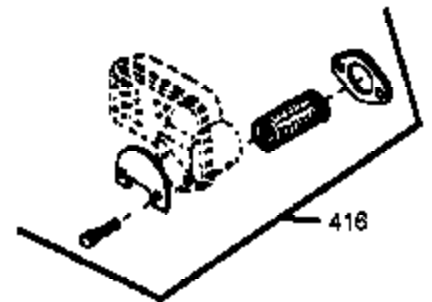
VIEW 4 OF 4



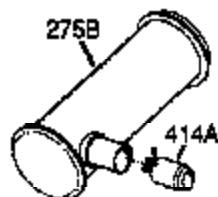
OPTIONAL
DEBRIS SCREEN KIT



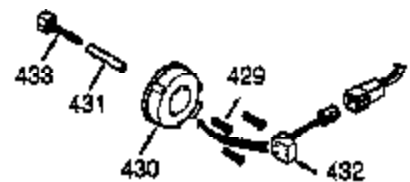
OPTIONAL
STARTER MUFF KIT



OPTIONAL
SPARK ARRESTOR KIT



OPTIONAL
QUIET MUFFLER



OPTIONAL
ADD-ON ALTERNATOR
AC LIGHTING OR DC CHARGING

Ref #	Part Number	Qty	Description
103	651007	2	Screw, Torx T-15, 10-24 x 15/16"
173A	32446	1	Breather Tube Grommet
277A	651036	1	Screw, 5/16-18 x 3-31/32"
278	36908	1	Spacer
280	36799A	1	Heat Shield
308	35540	1	Fill Tube Clip
327	35392	1	Starter Plug
342	30063	1	Screw, Torx T-30, 1/4-20 x 1/2"
370G	35274	1	Oil Instruction Decal
390	590704	1	Rewind Starter (Note: This engine could have been built with 590746 starter.)
416	34479A	1	Spark Arrestor Kit (Optional)
420	730225	1	SAE 30 4-Cycle Engine Oil (Quart)