

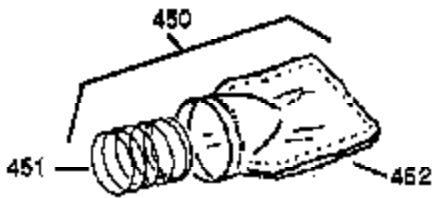
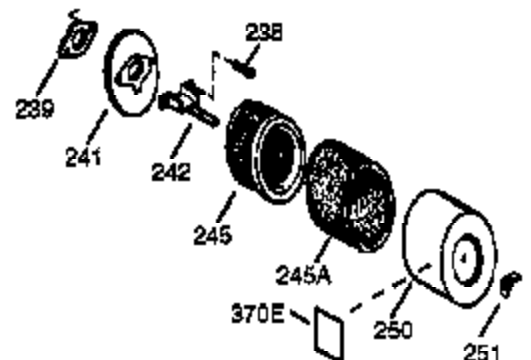
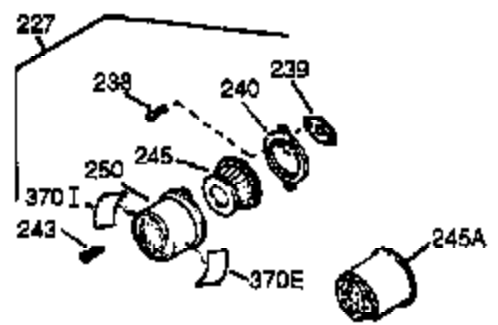
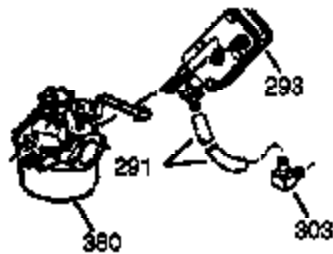
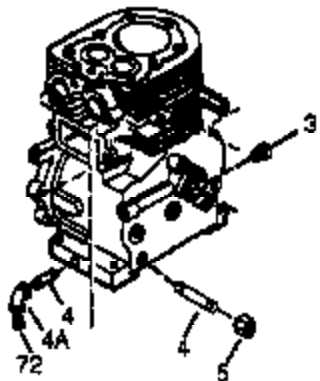
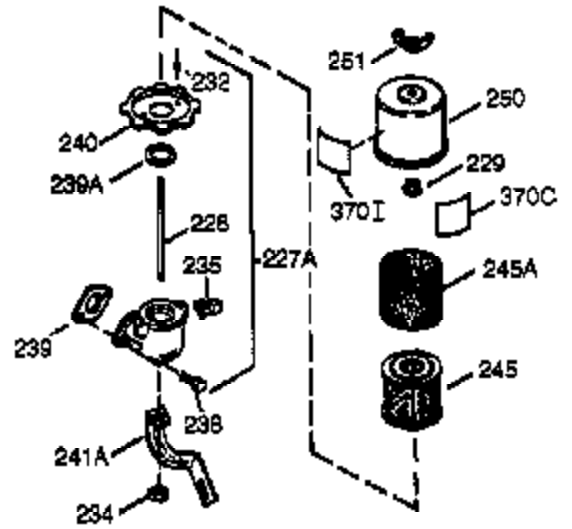
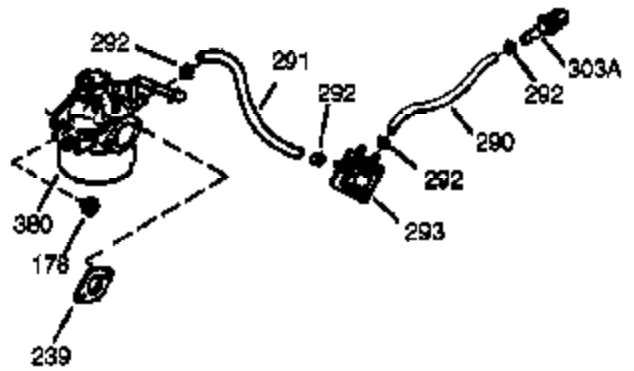
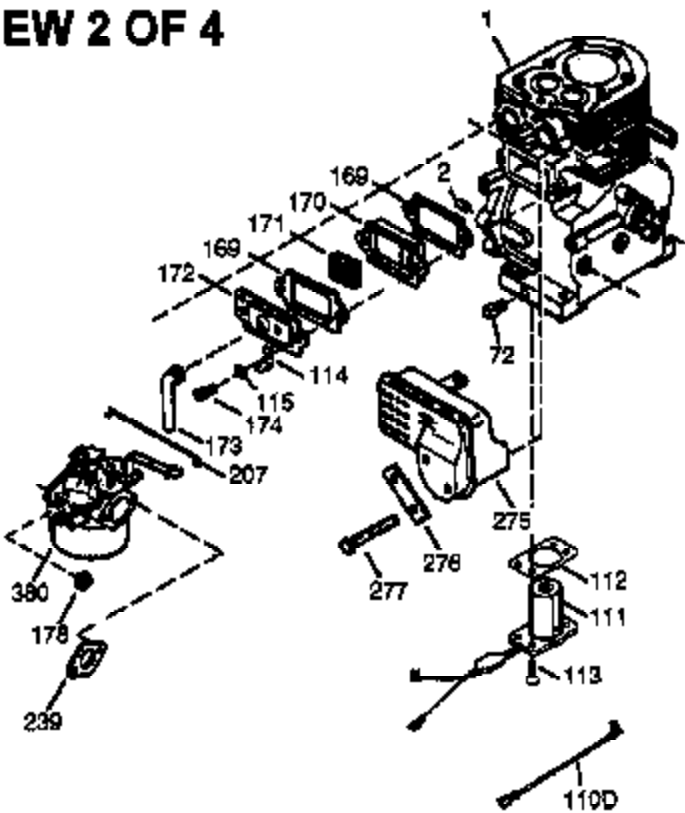
| Ref # | Part Number | Qty | Description                               |
|-------|-------------|-----|---|
| 1     | 35385       | 1   | Cylinder (Incl. 2 & 20)                   |
| 2     | 27652       | 2   | Dowel Pin                                 |
| 5     | 30969       | 1   | Extension Cap                             |
| 15A   | 30700       | 1   | Governor Yoke                             |
| 15B   | 650494      | 1   | Screw, 6-40 x 5/16"                       |
| 15    | 30699C      | 1   | Governor Rod (Incl. 15A & 15B)            |
| 16    | 33454       | 1   | Governor Lever                            |
| 17    | 29916       | 1   | Governor Lever Clamp                      |
| 18    | 651028      | 1   | Screw, Torx T-15, 8-32 x 3/8"             |
| 19    | 34663       | 1   | Speed Control Spring                      |
| 20    | 35319       | 1   | Oil Seal                                  |
| 25    | 36460       | 1   | Blower Housing Baffle                     |
| 26    | 650561      | 2   | Screw, 1/4-20 x 5/8"                      |
| 28    | 30322       | 1   | Lock Nut, 8-32                            |
| 30    | 35372A      | 1   | Crankshaft                                |
| 35    | 29826       | 1   | Screw, 10-32 x 3/4"                       |
| 37    | 29216       | 1   | Lock Nut, 10-32                           |
| 38    | 29642       | 1   | Retaining Ring                            |
| 40    | 40011       | 1   | Piston, Pin & Ring Set (Std.)             |
| 40    | 40012       | 1   | Piston, Pin & Ring Set (.010" OS)         |
| 41    | 40009       | 1   | Piston & Pin Ass'y. (Std.) (Incl. 43)     |
| 41    | 40010       | 1   | Piston & Pin Ass'y. (.010" OS) (Incl. 43) |
| 42    | 40013       | 1   | Ring Set (Std.)                           |
| 42    | 40014       | 1   | Ring Set (.010" OS)                       |
| 43    | 27888       | 2   | Piston Pin Retaining Ring                 |
| 45    | 36897       | 1   | Connecting Rod Ass'y. (Incl. 47 & 49)     |
| 47    | 651033      | 2   | Connecting Rod Bolt                       |
| 48    | 34034       | 2   | Valve Lifter                              |
| 49    | 36896       | 1   | Oil Dipper                                |
| 50    | 35375       | 1   | Camshaft (MCR)                            |
| 60    | 33273A      | 1   | Blower Housing Extension                  |
| 65    | 650128      | 1   | Screw, 10-24 x 1/2"                       |
| 69    | 35262A      | 1   | * Cylinder Cover Gasket                   |
| 70    | 35376       | 1   | Cylinder Cover (Incl. 71, 75 & 80)        |
| 71    | 35377       | 1   | Crankshaft Bushing                        |
| 72    | 28582       | 1   | Oil Drain Plug                            |
| 80    | 31845       | 1   | Governor Shaft                            |
| 81    | 30590A      | 1   | Washer                                    |
| 82    | 35378       | 1   | Governor Gear Ass'y. (Incl. 81)           |
| 83    | 30588A      | 1   | Governor Spool                            |
| 84    | 29193       | 1   | Retaining Ring                            |
| 86    | 650833      | 7   | Screw, 1/4-20 x 1-3/16"                   |
| 87    | 650832      | 1   | Screw, 1/4-20 x 1-11/16"                  |
| 89    | 32589       | 1   | Flywheel Key                              |
| 90    | 611090      | 1   | Flywheel                                  |
| 92    | 650880      | 1   | Lock Washer                               |
| 93    | 650881      | 1   | Flywheel Nut                              |
| 100   | 35135       | 1   | Solid State Ignition                      |
| 101   | 610118      | 1   | Spark Plug Cover                          |
| 102   | 650872      | 2   | Solid State Mounting Stud                 |
| 103   | 651007      | 2   | Screw, Torx T-15, 10-24 x 15/16"          |
| 110   | 35187       | 1   | Ground Wire                               |
| 119   | 36448       | 1   | * Cylinder Head Gasket                    |
| 120   | 36449       | 1   | Cylinder Head                             |
| 125   | 27878A      | 1   | Exhaust Valve (Std.) (Incl. 151)          |
| 125   | 27880A      | 1   | Exhaust Valve (1/32" OS) (Incl. 151)      |
| 126   | 34035       | 1   | Intake Valve (Std.) (Incl. 151)           |
| 126   | 34036       | 1   | Intake Valve (1/32" OS) (Incl. 151)       |

| Ref # | Part Number | Qty | Description                        |
|-------|-------------|-----|------------------------------------|
| 127   | 650691      | 9   | Washer                             |
| 128   | 650690      | 9   | Belleville Washer                  |
| 130B  | 650738      | 2   | Screw, 5/16-18 x 5/8"              |
| 130A  | 650273      | 2   | Screw, 5/16-18 x 5/8"              |
| 130   | 650694A     | 9   | Screw, 5/16-18 x 2"                |
| 135   | 33636       | 1   | Resistor Spark Plug (RJ17LM)       |
| 139   | 33369       | 1   | Governor Gear Bracket              |
| 140   | 650836      | 2   | Screw, 10-24 x 1/2"                |
| 149A  | 35862       | 1   | Valve Spring Cap                   |
| 149   | 27882       | 1   | Valve Spring Cap                   |
| 150   | 27881       | 2   | Valve Spring                       |
| 151   | 32581       | 2   | Valve Spring Keeper                |
| 169   | 27896A      | 2   | * Valve Cover Gasket               |
| 170   | 28423       | 1   | Breather Body                      |
| 171   | 28424       | 1   | Breather Element                   |
| 172   | 28425       | 1   | Valve Cover                        |
| 173   | 35350       | 1   | Breather Tube                      |
| 174   | 650128      | 2   | Screw, 10-24 x 1/2"                |
| 178   | 29752       | 2   | Nut & Lock Washer, 1/4-28          |
| 182   | 30088A      | 2   | Screw, 1/4-28 x 1"                 |
| 184   | 33263       | 1   | * Carburetor To Intake Pipe Gasket |
| 185   | 34707       | 1   | Intake Pipe                        |
| 186   | 34667       | 1   | Governor Link                      |
| 200   | 34677       | 1   | Control Bracket (Incl. 203 & 204)  |
| 203   | 31342       | 1   | Compression Spring                 |
| 204   | 651029      | 1   | Screw, Torx T-10, 5-40 x 7/16"     |
| 206   | 610973      | 1   | Terminal                           |
| 207   | 33878       | 1   | Throttle Link                      |
| 209   | 650821      | 2   | Screw, 10-32 x 1/2"                |
| 215   | 35882       | 1   | Control Knob                       |
| 223   | 650378      | 2   | Screw, Torx T-30, 5/16-18 x 1-1/8" |
| 224   | 27915A      | 1   | * Intake Pipe Gasket               |
| 260   | 36250       | 1   | Blower Housing                     |
| 261   | 650788      | 2   | Screw, 5/16-18 x 3/4"              |
| 262   | 29747B      | 2   | Screw, Torx T-40, 5/16-24 x 21/32" |
| 265   | 33272B      | 1   | Cylinder Head Cover                |
| 275   | 34185B      | 1   | Muffler                            |
| 276   | 31588       | 1   | Locking Plate                      |
| 277   | 650729      | 1   | Screw, 5/16-18 x 3-3/16"           |
| 277A  | 651036      | 1   | Screw, 5/16-18 x 3-31/32"          |
| 278   | 36908       | 1   | Heat Shield Spacer                 |
| 280   | 36799A      | 1   | Heat Shield                        |
| 281   | 33013       | 1   | Starter Bubble Cover               |
| 282   | 650760      | 1   | Screw, 8-32 x 3/8"                 |
| 285   | 35985B      | 1   | Starter Cup                        |
| 287   | 29752       | 4   | Nut & Lock Washer, 1/4-28          |
| 300   | 34186A      | 1   | Fuel Tank (Incl. 292 & 301)        |
| 301   | 36246       | 1   | Fuel Cap                           |
| 305   | 35554       | 1   | Oil Fill Tube                      |
| 307   | 35499       | 1   | "O" Ring                           |
| 308   | 35540       | 1   | Fill Tube Clip                     |
| 310   | 36205       | 1   | Dipstick                           |
| 325   | 29443       | 1   | Wire Clip                          |
| 327   | 35392       | 1   | Starter Plug                       |
| 342   | 30063       | 1   | Screw, Torx T-30, 1/4-20 x 1/2"    |
| 370A  | 35703       | 1   | Throttle Decal                     |
| 370   | 36261       | 1   | Instruction Decal                  |
| 380   | 640051      | 1   | Carburetor (Incl. 184)             |

| Ref # | Part Number | Qty | Description   |
|-------|-------------|-----|---|
| 390   | 590704      | 1   | Rewind Starter (Note: This engine could have been built with 590671 starter. Refer to the design of the rope pulley strength ribs for part identification. Individual starter parts do not interchange. Refer to service bulletin 518). |
| 400   | 36450A      | 1   | * Gasket Set (Incl. items marked PK i n notes) Incl. part #'s 27272A (1), 27896A (2), 27915A (1), 29673 (1), 33263 (1), 33629 (1), 34698A (1), 35262 (1), 36448 (1)   |
| 420   | 730225      | 1   | SAE 30 4-Cycle Engine Oil (Quart)   |

ILLUSTRATION SHOWS TYPICAL PARTS ONLY. ORDER BY PART NUMBER. PARTS NOT LISTED ARE SUPPLIED BY OEM.

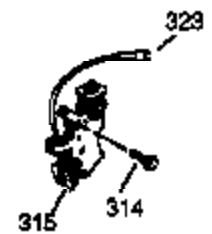
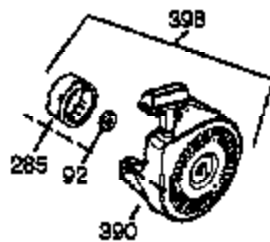
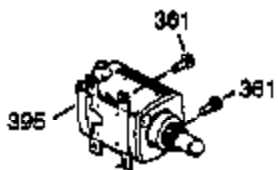
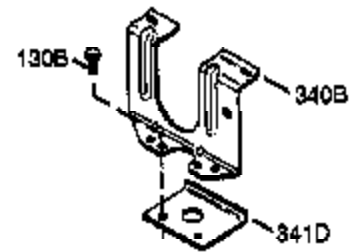
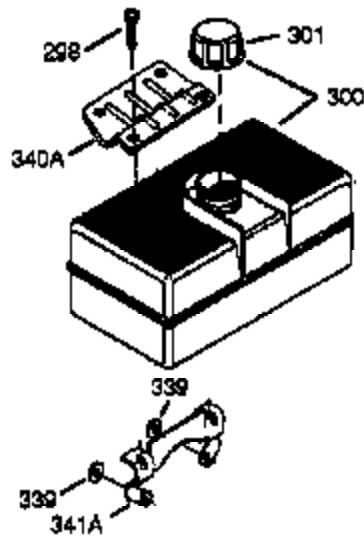
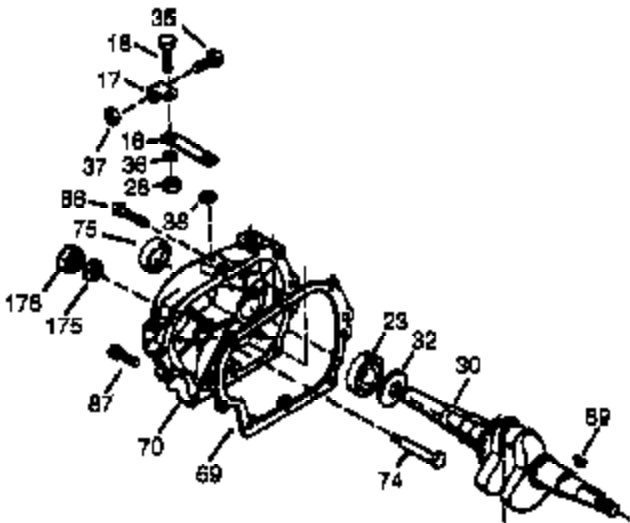
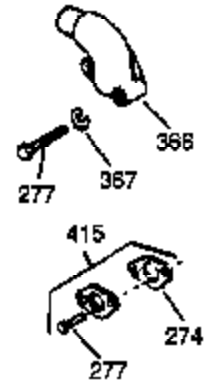
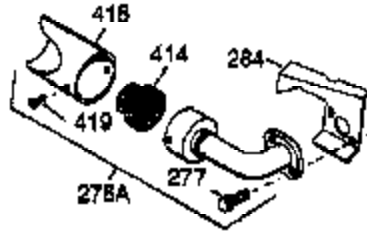
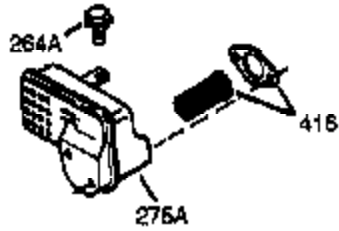
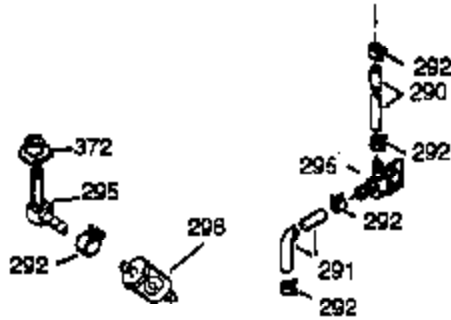
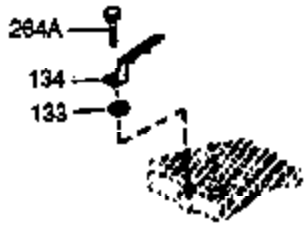
### VIEW 2 OF 4



| Ref # | Part Number | Qty | Description                       |
|-------|-------------|-----|-----------------------------------|
| 1     | 35385       | 1   | Cylinder (Incl. 2 & 20)           |
| 2     | 27652       | 2   | Dowel Pin                         |
| 4     | 32678       | 1   | Oil Drain Extension               |
| 5     | 30969       | 1   | Extension Cap                     |
| 72    | 28582       | 1   | Oil Drain Plug                    |
| 169   | 27896A      | 2   | * Valve Cover Gasket              |
| 170   | 28423       | 1   | Breather Body                     |
| 171   | 28424       | 1   | Breather Element                  |
| 172   | 28425       | 1   | Valve Cover                       |
| 174   | 650128      | 2   | Screw, 10-24 x 1/2"               |
| 178   | 29752       | 2   | Nut & Lock Washer, 1/4-28         |
| 207   | 33878       | 1   | Throttle Link                     |
| 239   | 27272A      | 1   | * Air Cleaner Gasket              |
| 240   | 33266       | 1   | Air Cleaner Body                  |
| 242   | 33267       | 1   | Air Cleaner Bracket               |
| 243   | 28820       | 2   | Screw, 10-32 x 1/2"               |
| 245A  | 35881       | 1   | Air Cleaner Filter                |
| 245   | 33268       | 1   | Air Cleaner Filter                |
| 250   | 33269A      | 1   | Air Cleaner Cover                 |
| 251   | 650513      | 1   | Wing Nut, 1/4-20                  |
| 275   | 34185B      | 1   | Muffler                           |
| 276   | 31588       | 1   | Locking Plate                     |
| 277   | 650729      | 1   | Screw, 5/16-18 x 3-3/16"          |
| 277A  | 651036      | 1   | Screw, 5/16-18 x 3-31/32"         |
| 278   | 36908       | 1   | Heat Shield Spacer                |
| 280   | 36799A      | 1   | Heat Shield                       |
| 291   | 30962       | 1   | Fuel Line                         |
| 292   | 26460       | 2   | Fuel Line Clamp                   |
| 308   | 35540       | 1   | Fill Tube Clip                    |
| 370E  | 35274       | 1   | Instruction Decal                 |
| 380   | 640051      | 1   | Carburetor (Incl. 184)            |
| 420   | 730225      | 1   | SAE 30 4-Cycle Engine Oil (Quart) |

ILLUSTRATION SHOWS TYPICAL PARTS ONLY. ORDER BY PART NUMBER. PARTS NOT LISTED ARE SUPPLIED BY OEM.

**VIEW 3 OF 4**

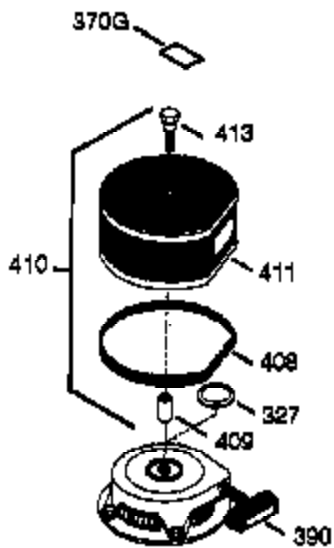
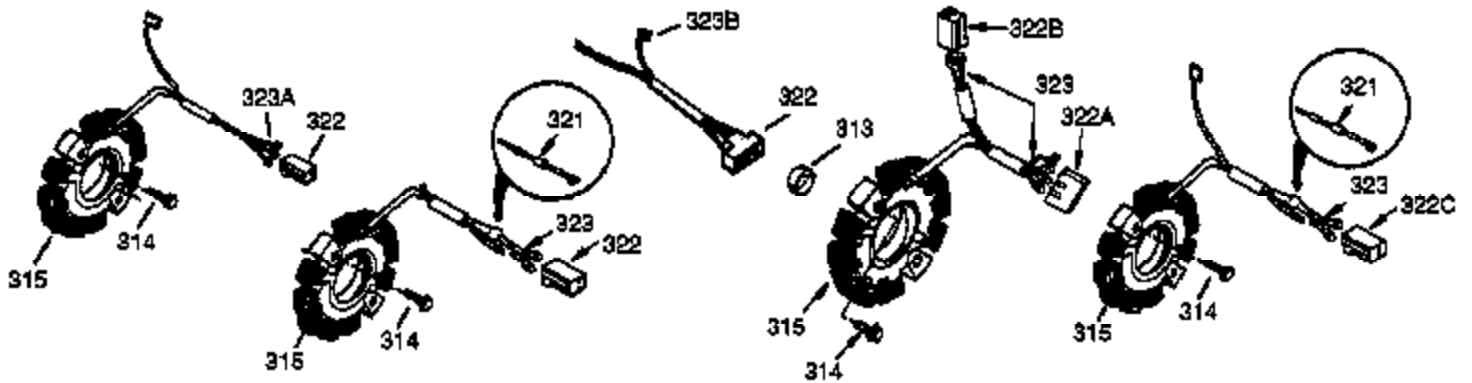
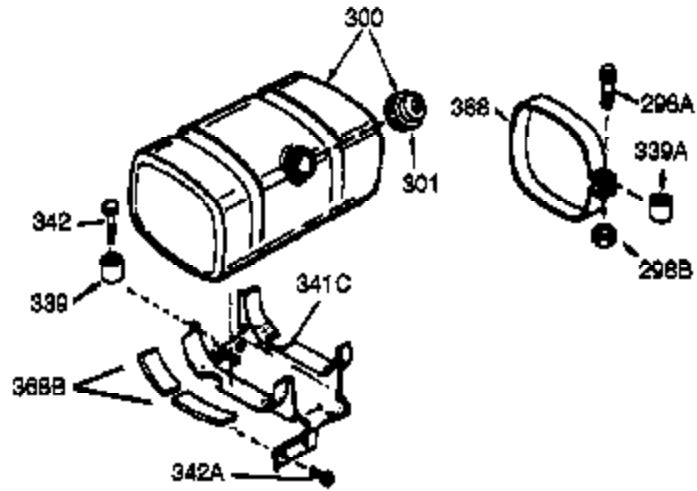
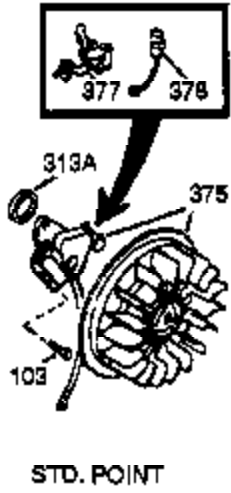


| Ref # | Part Number | Qty | Description   |
|-------|-------------|-----|---|
| 16    | 33454       | 1   | Governor Lever  |
| 17    | 29916       | 1   | Governor Lever Clamp  |
| 18    | 651028      | 1   | Screw, Torx T-15, 8-32 x 3/8"   |
| 28    | 30322       | 1   | Lock Nut, 8-32  |
| 30    | 35372A      | 1   | Crankshaft  |
| 35    | 29826       | 1   | Screw, 10-32 x 3/4"   |
| 36    | 29918       | 1   | Lock Washer   |
| 37    | 29216       | 1   | Lock Nut, 10-32   |
| 38    | 29642       | 1   | Retaining Ring  |
| 69    | 35262A      | 1   | * Cylinder Cover Gasket   |
| 70    | 35376       | 1   | Cylinder Cover (Incl. 71, 75 & 80)  |
| 75    | 35319       | 1   | Oil Seal  |
| 86    | 650833      | 7   | Screw, 1/4-20 x 1-3/16"   |
| 87    | 650832      | 1   | Screw, 1/4-20 x 1-11/16"  |
| 89    | 32589       | 1   | Flywheel Key  |
| 92    | 650880      | 1   | Lock Washer   |
| 130B  | 650738      | 2   | Screw, 5/16-18 x 5/8"   |
| 264A  | 650802      | 1   | Screw, 1/4-20 x 5/8"  |
| 277   | 650729      | 1   | Screw, 5/16-18 x 3-3/16"  |
| 277A  | 651036      | 1   | Screw, 5/16-18 x 3-31/32"   |
| 278   | 36908       | 1   | Heat Shield Spacer  |
| 280   | 36799A      | 1   | Heat Shield   |
| 285   | 35985B      | 1   | Starter Cup   |
| 291   | 30962       | 1   | Fuel Line   |
| 292   | 26460       | 2   | Fuel Line Clamp   |
| 298   | 650665      | 2   | Screw, 1/4-15 x 3/4"  |
| 300   | 34186A      | 1   | Fuel Tank (Incl. 292 & 301)   |
| 301   | 36246       | 1   | Fuel Cap  |
| 308   | 35540       | 1   | Fill Tube Clip  |
| 339   | 35880       | 2   | Spacer  |
| 340A  | 34259       | 1   | Fuel Tank Bracket   |
| 341A  | 34258A      | 1   | Fuel Tank Bracket   |
| 390   | 590704      | 1   | Rewind Starter (Note: This engine could have been built with 590671 starter. Refer to the design of the rope pulley strength ribs for part identification. Individual starter parts do not interchange. Refer to service bulletin 518). |
| 420   | 730225      | 1   | SAE 30 4-Cycle Engine Oil (Quart)   |

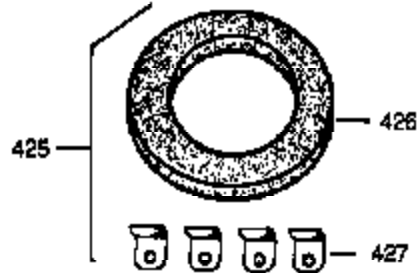


ILLUSTRATION SHOWS TYPICAL PARTS ONLY. ORDER BY PART NUMBER. PARTS NOT LISTED ARE SUPPLIED BY OEM.

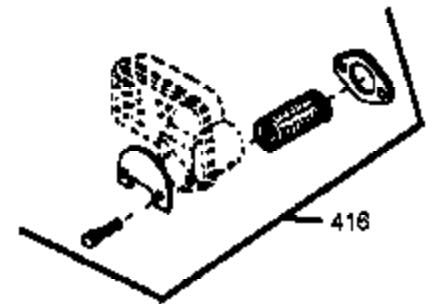
### VIEW 4 OF 4



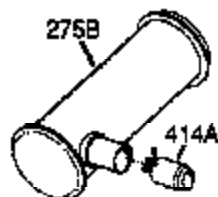
OPTIONAL  
DEBRIS SCREEN KIT



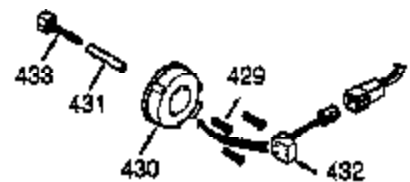
OPTIONAL  
STARTER MUFF KIT



OPTIONAL  
SPARK ARRESTOR KIT



OPTIONAL  
QUIET MUFFLER



OPTIONAL  
ADD-ON ALTERNATOR  
AC LIGHTING OR DC CHARGING

| Ref # | Part Number | Qty | Description   |
|-------|-------------|-----|---|
| 103   | 651007      | 2   | Screw, Torx T-15, 10-24 x 15/16"  |
| 277A  | 651036      | 1   | Screw, 5/16-18 x 3-31/32"   |
| 278   | 36908       | 1   | Heat Shield Spacer  |
| 280   | 36799A      | 1   | Heat Shield   |
| 300   | 34186A      | 1   | Fuel Tank (Incl. 292 & 301)   |
| 301   | 36246       | 1   | Fuel Cap  |
| 308   | 35540       | 1   | Fill Tube Clip  |
| 327   | 35392       | 1   | Starter Plug  |
| 339   | 35880       | 2   | Spacer  |
| 342   | 30063       | 1   | Screw, Torx T-30, 1/4-20 x 1/2"   |
| 390   | 590704      | 1   | Rewind Starter (Note: This engine could have been built with 590671 starter. Refer to the design of the rope pulley strength ribs for part identification. Individual starter parts do not interchange. Refer to service bulletin 518). |
| 420   | 730225      | 1   | SAE 30 4-Cycle Engine Oil (Quart)   |