

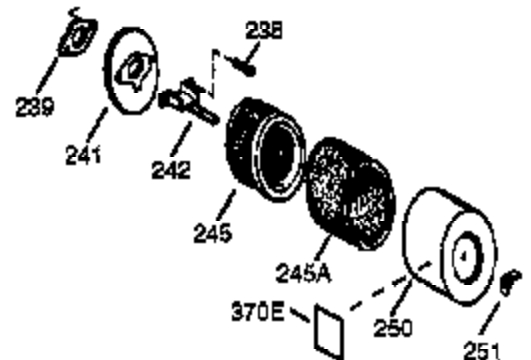
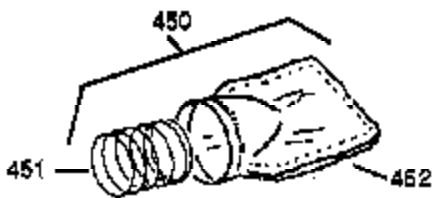
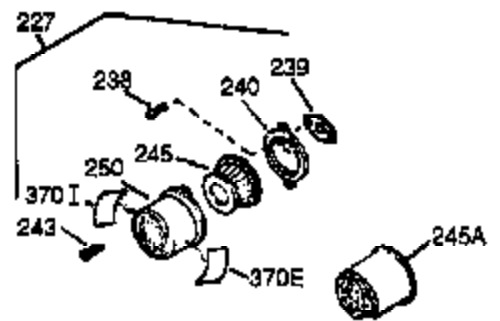
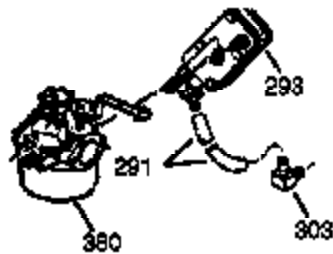
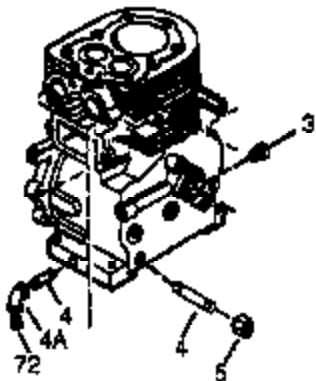
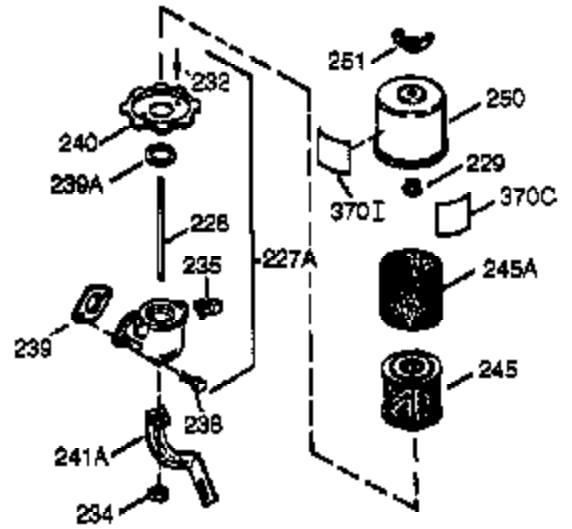
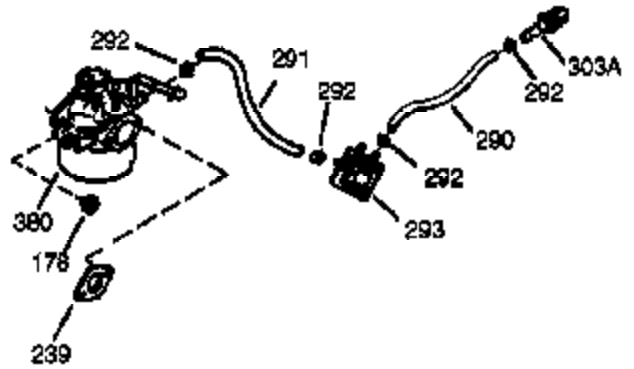
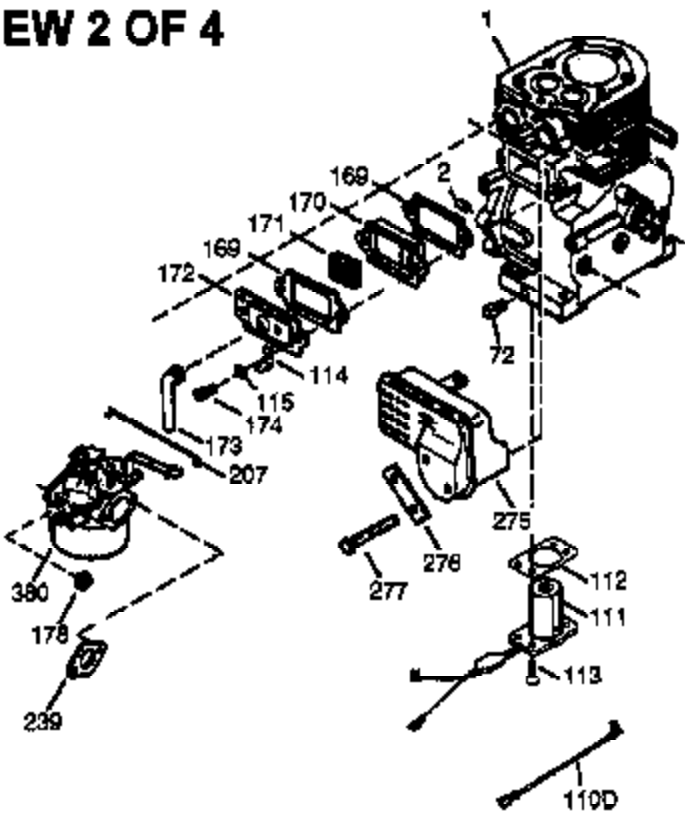
| Ref # | Part Number | Qty | Description                               |
|-------|-------------|-----|---|
|       | 1 35385     | 1   | Cylinder (Incl. 2 & 20)                   |
|       | 2 27652     | 2   | Dowel Pin                                 |
|       | 5 30969     | 1   | Extension Cap                             |
| 15B   | 650494      | 1   | Screw, 6-40 x 5/16"                       |
| 15    | 30699C      | 1   | Governor Rod (Incl. 15A & 15B)            |
| 15A   | 30700       | 1   | Governor Yoke                             |
|       | 16 37255A   | 1   | Governor Lever (Incl. 212A)               |
|       | 17 29916    | 1   | Governor Lever Clamp                      |
|       | 18 651028   | 1   | Screw, Torx T-15, 8-32 x 3/8"             |
|       | 19 34663    | 1   | Speed Control Spring                      |
|       | 20 35319    | 1   | Oil Seal                                  |
|       | 25 36460    | 1   | Blower Housing Baffle                     |
|       | 26 650561   | 2   | Screw, 1/4-20 x 5/8"                      |
|       | 28 30322    | 1   | Lock Nut, 8-32                            |
|       | 30 36283A   | 1   | Crankshaft                                |
|       | 35 29826    | 1   | Screw, 10-32 x 3/4"                       |
|       | 37 29216    | 1   | Lock Nut, 10-32                           |
|       | 38 29642    | 1   | Retaining Ring                            |
|       | 40 40011    | 1   | Piston, Pin & Ring Set (Std.)             |
|       | 40 40012    | 1   | Piston, Pin & Ring Set (.010" OS)         |
|       | 41 40009    | 1   | Piston & Pin Ass'y. (Std.) (Incl. 43)     |
|       | 41 40010    | 1   | Piston & Pin Ass'y. (.010" OS) (Incl. 43) |
|       | 42 40013    | 1   | Ring Set (Std.)                           |
|       | 42 40014    | 1   | Ring Set (.010" OS)                       |
|       | 43 27888    | 2   | Piston Pin Retaining Ring                 |
|       | 45 36897    | 1   | Connecting Rod Ass'y. (Incl. 47 & 49)     |
|       | 47 651033   | 2   | Connecting Rod Bolt                       |
|       | 48 34034    | 2   | Valve Lifter                              |
|       | 49 36896    | 1   | Oil Dipper                                |
|       | 50 36569    | 1   | Camshaft (MCR)                            |
|       | 60 33273A   | 1   | Blower Housing Extension                  |
|       | 65 650128   | 1   | Screw, 10-24 x 1/2"                       |
|       | 69 35262A   | 1   | * Cylinder Cover Gasket                   |
|       | 70 35445A   | 1   | Cylinder Cover (Incl. 71, 75 & 80)        |
|       | 71 35377    | 1   | Crankshaft Bushing                        |
|       | 72 27642    | 1   | Oil Drain Plug                            |
|       | 76 28926    | 1   | Camshaft Seal                             |
|       | 80 31845    | 1   | Governor Shaft                            |
|       | 81 30590A   | 1   | Washer                                    |
|       | 82 35378    | 1   | Governor Gear Ass'y. (Incl. 81)           |
|       | 83 30588A   | 1   | Governor Spool                            |
|       | 84 29193    | 1   | Retaining Ring                            |
|       | 86 650833   | 7   | Screw, 1/4-20 x 1-3/16"                   |
|       | 87 650832   | 1   | Screw, 1/4-20 x 1-11/16"                  |
|       | 89 32589    | 1   | Flywheel Key                              |
|       | 90 611090   | 1   | Flywheel                                  |
|       | 92 650880   | 1   | Lock Washer                               |
|       | 93 650881   | 1   | Flywheel Nut                              |
| 100   | 35135       | 1   | Solid State Ignition                      |
| 101   | 610118      | 1   | Spark Plug Cover                          |
| 102   | 651024      | 2   | Solid State Mounting Stud                 |
| 103   | 651007      | 2   | Screw, Torx T-15, 10-24 x 15/16"          |
| 110   | 35187       | 1   | Ground Wire                               |
| 119   | 36448       | 1   | * Cylinder Head Gasket                    |
| 120   | 36449       | 1   | Cylinder Head                             |
| 125   | 27878A      | 1   | Exhaust Valve (Std.) (Incl. 151)          |
| 125   | 27880A      | 1   | Exhaust Valve (1/32" OS) (Incl. 151)      |
| 126   | 34035       | 1   | Intake Valve (Std.) (Incl. 151)           |

| Ref # | Part Number | Qty | Description                         |
|-------|-------------|-----|-------------------------------------|
|       | 126 34036   | 1   | Intake Valve (1/32" OS) (Incl. 151) |
|       | 127 650691  | 9   | Washer                              |
|       | 128 650690  | 9   | Belleville Washer                   |
|       | 130A 651031 | 1   | Screw, 1/4-20 x 9/16"               |
|       | 130 650694A | 9   | Screw, 5/16-18 x 2"                 |
|       | 135 33636   | 1   | Resistor Spark Plug (RJ17LM)        |
|       | 139 33369   | 1   | Governor Gear Bracket               |
|       | 140 650836  | 2   | Screw, 10-24 x 1/2"                 |
|       | 149A 35862  | 1   | Valve Spring Cap                    |
|       | 149 27882   | 1   | Valve Spring Cap                    |
|       | 150 27881   | 2   | Valve Spring                        |
|       | 151 32581   | 2   | Valve Spring Keeper                 |
|       | 169 27896A  | 2   | * Valve Cover Gasket                |
|       | 170 28423   | 1   | Breather Body                       |
|       | 171 28424   | 1   | Breather Element                    |
|       | 172 28425   | 1   | Valve Cover                         |
|       | 173 36675A  | 1   | Breather Tube                       |
|       | 173A 32446  | 1   | Breather Tube Grommet               |
|       | 174 650128  | 2   | Screw, 10-24 x 1/2"                 |
|       | 178 29752   | 2   | Nut & Lock Washer, 1/4-28           |
|       | 182 30088A  | 2   | Screw, 1/4-28 x 1"                  |
|       | 184 33263   | 1   | * Carburetor To Intake Pipe Gasket  |
|       | 185 34707   | 1   | Intake Pipe                         |
|       | 186 34661   | 1   | Governor Link                       |
|       | 200 34677   | 1   | Control Bracket (Incl. 203 & 204)   |
|       | 203 31342   | 1   | Compression Spring                  |
|       | 204 651029  | 1   | Screw, Torx T-10, 5-40 x 7/16"      |
|       | 206 610973  | 1   | Terminal                            |
|       | 207 37448   | 1   | Throttle Link                       |
|       | 209 650821  | 2   | Screw, 10-32 x 1/2"                 |
|       | 212A 36288  | 1   | Bushing                             |
|       | 215 32410   | 1   | Control Knob                        |
|       | 223 650378  | 2   | Screw, Torx T-30, 5/16-18 x 1-1/8"  |
|       | 224 27915A  | 1   | * Intake Pipe Gasket                |
|       | 260 33375D  | 1   | Blower Housing                      |
|       | 261 650788  | 2   | Screw, 5/16-18 x 3/4"               |
|       | 262 29747B  | 2   | Screw, Torx T-40, 5/16-24 x 21/32"  |
|       | 265 33272B  | 1   | Cylinder Head Cover                 |
|       | 275 34185B  | 1   | Muffler                             |
|       | 276 31588   | 1   | Locking Plate                       |
|       | 277 650729  | 1   | Screw, 5/16-18 x 3-3/16"            |
|       | 277A 651036 | 1   | Screw, 5/16-18 x 3-31/32"           |
|       | 278 36908   | 1   | Spacer                              |
|       | 280 36799A  | 1   | Heat Shield                         |
|       | 281 33013   | 1   | Starter Bubble Cover                |
|       | 282 650760  | 1   | Screw, 8-32 x 3/8"                  |
|       | 285 35985B  | 1   | Starter Cup                         |
|       | 287 29752   | 4   | Nut & Lock Washer, 1/4-28           |
|       | 296 34279B  | 1   | Fuel Filter (Incl. 292)             |
|       | 305 35554   | 1   | Oil Fill Tube                       |
|       | 307 35499   | 1   | "O" Ring                            |
|       | 308 35540   | 1   | Fill Tube Clip                      |
|       | 310 36205   | 1   | Dipstick                            |
|       | 325 29443   | 1   | Wire Clip                           |
|       | 342 30063   | 1   | Screw, Torx T-30, 1/4-20 x 1/2"     |
|       | 370K 36695  | 1   | Starter Decal                       |
|       | 370G 35274  | 1   | Oil Instruction Decal               |
|       | 370J 35703  | 1   | Throttle Decal                      |

| Ref # | Part Number | Qty | Description   |
|-------|-------------|-----|---|
| 380   | 640260      | 1   | Carburetor (Incl. 184)  |
| 390   | 590746      | 1   | Rewind Starter  |
| 400   | 36450A      | 1   | * Gasket Set (Incl. items marked PK i n notes) Incl. part #'s<br>27272A (1), 27896A (2), 27915A (1), 29673 (1), 33263 (1),<br>33629 (1), 34698A (1), 35262 (1), 36448 (1) |
| 420   | 730225      | 1   | SAE 30 4-Cycle Engine Oil (Quart)   |

ILLUSTRATION SHOWS TYPICAL PARTS ONLY. ORDER BY PART NUMBER. PARTS NOT LISTED ARE SUPPLIED BY OEM.

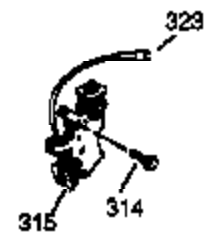
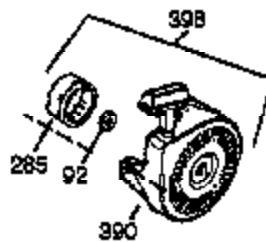
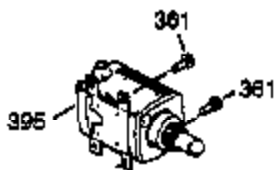
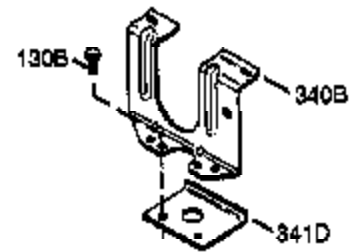
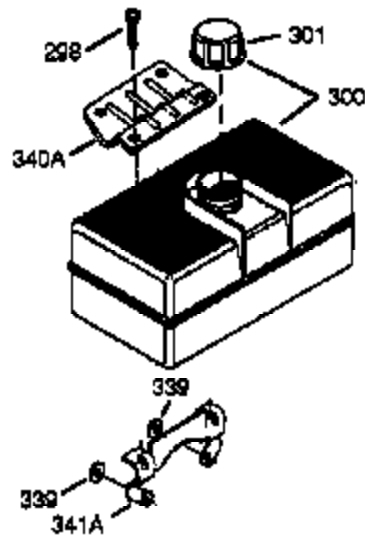
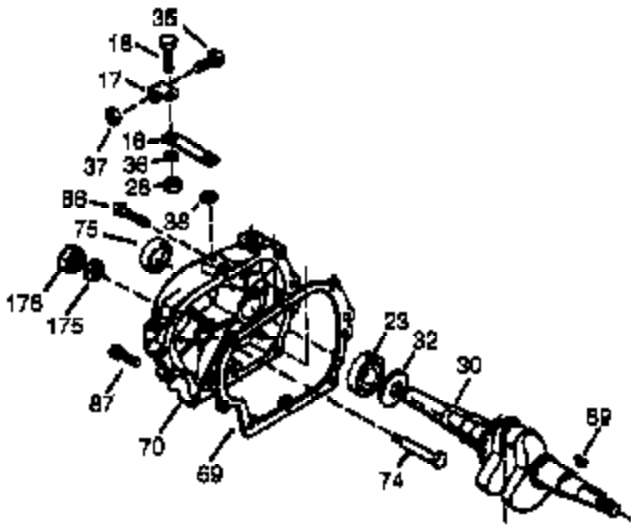
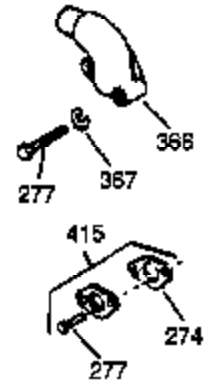
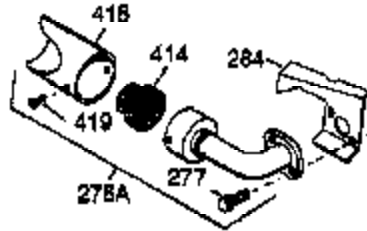
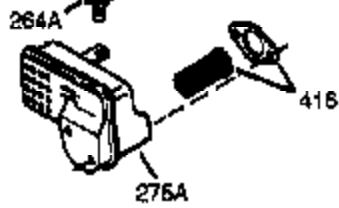
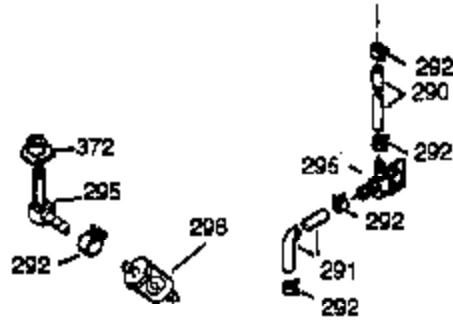
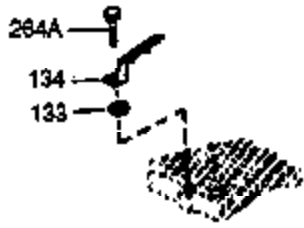
### VIEW 2 OF 4



| Ref # | Part Number | Qty | Description                       |
|-------|-------------|-----|-----------------------------------|
| 1     | 35385       | 1   | Cylinder (Incl. 2 & 20)           |
| 2     | 27652       | 2   | Dowel Pin                         |
| 4     | 32678       | 1   | Oil Drain Extension               |
| 5     | 30969       | 1   | Extension Cap                     |
| 72    | 27642       | 1   | Oil Drain Plug                    |
| 169   | 27896A      | 2   | * Valve Cover Gasket              |
| 170   | 28423       | 1   | Breather Body                     |
| 171   | 28424       | 1   | Breather Element                  |
| 172   | 28425       | 1   | Valve Cover                       |
| 173A  | 32446       | 1   | Breather Tube Grommet             |
| 174   | 650128      | 2   | Screw, 10-24 x 1/2"               |
| 178   | 29752       | 2   | Nut & Lock Washer, 1/4-28         |
| 207   | 37448       | 1   | Throttle Link                     |
| 238   | 28820       | 2   | Screw, 10-32 x 1/2"               |
| 239   | 27272A      | 1   | * Air Cleaner Gasket              |
| 240   | 37104       | 1   | Air Cleaner Body                  |
| 242   | 33267       | 1   | Air Cleaner Bracket               |
| 245   | 33268       | 1   | Air Cleaner Filter                |
| 245A  | 35881       | 1   | Air Cleaner Filter                |
| 250   | 33269A      | 1   | Air Cleaner Cover                 |
| 251   | 37444       | 1   | Wing Nut, 1/4-20                  |
| 275   | 34185B      | 1   | Muffler                           |
| 276   | 31588       | 1   | Locking Plate                     |
| 277   | 650729      | 1   | Screw, 5/16-18 x 3-3/16"          |
| 277A  | 651036      | 1   | Screw, 5/16-18 x 3-31/32"         |
| 278   | 36908       | 1   | Spacer                            |
| 280   | 36799A      | 1   | Heat Shield                       |
| 290   | 30705       | 1   | Fuel Line                         |
| 292   | 26460       | 2   | Fuel Line Clamp                   |
| 308   | 35540       | 1   | Fill Tube Clip                    |
| 380   | 640260      | 1   | Carburetor (Incl. 184)            |
| 420   | 730225      | 1   | SAE 30 4-Cycle Engine Oil (Quart) |

ILLUSTRATION SHOWS TYPICAL PARTS ONLY. ORDER BY PART NUMBER. PARTS NOT LISTED ARE SUPPLIED BY OEM.

**VIEW 3 OF 4**

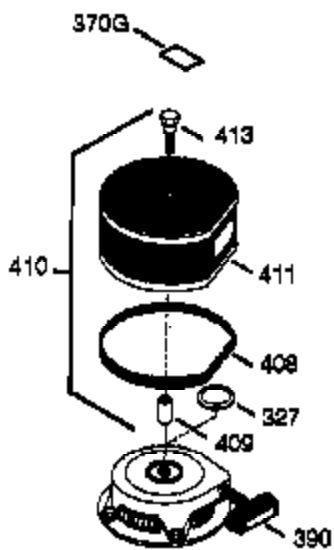
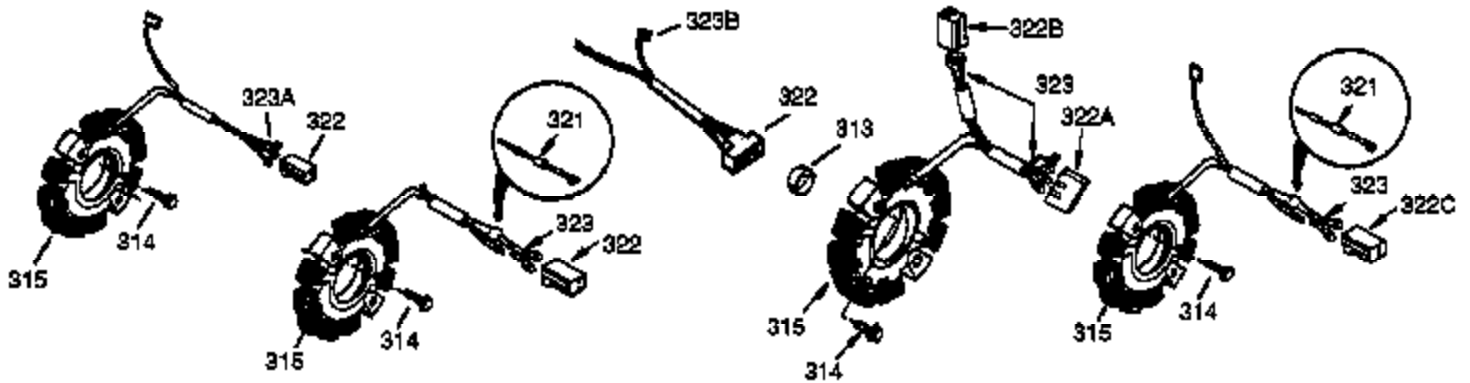
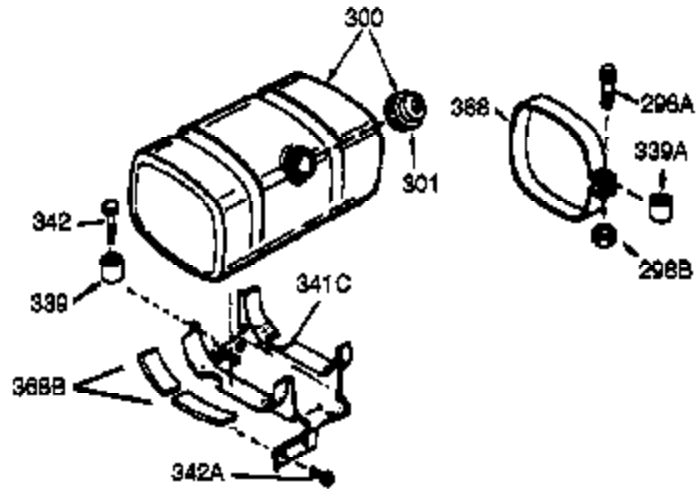
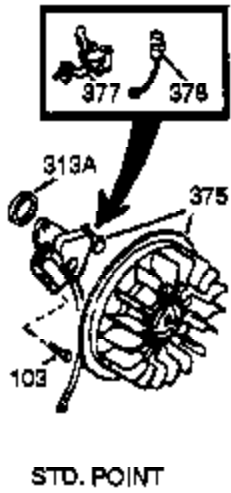


| Ref # | Part Number | Qty | Description                        |
|-------|-------------|-----|------------------------------------|
| 16    | 37255A      | 1   | Governor Lever (Incl. 212A)        |
| 17    | 29916       | 1   | Governor Lever Clamp               |
| 18    | 651028      | 1   | Screw, Torx T-15, 8-32 x 3/8"      |
| 28    | 30322       | 1   | Lock Nut, 8-32                     |
| 30    | 36283A      | 1   | Crankshaft                         |
| 35    | 29826       | 1   | Screw, 10-32 x 3/4"                |
| 36    | 29918       | 1   | Lock Washer                        |
| 37    | 29216       | 1   | Lock Nut, 10-32                    |
| 38    | 29642       | 1   | Retaining Ring                     |
| 69    | 35262A      | 1   | * Cylinder Cover Gasket            |
| 70    | 35445A      | 1   | Cylinder Cover (Incl. 71, 75 & 80) |
| 75    | 35319       | 1   | Oil Seal                           |
| 86    | 650833      | 7   | Screw, 1/4-20 x 1-3/16"            |
| 87    | 650832      | 1   | Screw, 1/4-20 x 1-11/16"           |
| 89    | 32589       | 1   | Flywheel Key                       |
| 92    | 650880      | 1   | Lock Washer                        |
| 173A  | 32446       | 1   | Breather Tube Grommet              |
| 264A  | 650802      | 1   | Screw, 1/4-20 x 5/8"               |
| 277   | 650729      | 1   | Screw, 5/16-18 x 3-3/16"           |
| 277A  | 651036      | 1   | Screw, 5/16-18 x 3-31/32"          |
| 278   | 36908       | 1   | Spacer                             |
| 280   | 36799A      | 1   | Heat Shield                        |
| 285   | 35985B      | 1   | Starter Cup                        |
| 290   | 30705       | 1   | Fuel Line                          |
| 292   | 26460       | 2   | Fuel Line Clamp                    |
| 296   | 34279B      | 1   | Fuel Filter (Incl. 292)            |
| 308   | 35540       | 1   | Fill Tube Clip                     |
| 390   | 590746      | 1   | Rewind Starter                     |
| 416   | 34479A      | 1   | Spark Arrestor Kit (Optional)      |
| 420   | 730225      | 1   | SAE 30 4-Cycle Engine Oil (Quart)  |

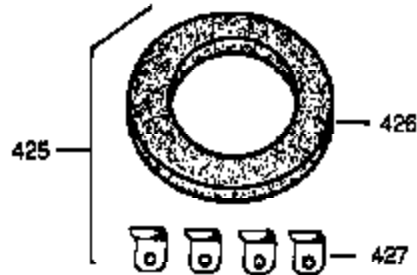


ILLUSTRATION SHOWS TYPICAL PARTS ONLY. ORDER BY PART NUMBER. PARTS NOT LISTED ARE SUPPLIED BY OEM.

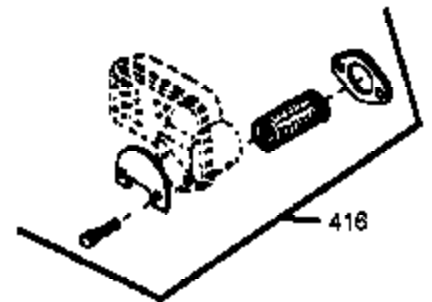
### VIEW 4 OF 4



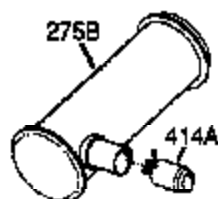
OPTIONAL  
DEBRIS SCREEN KIT



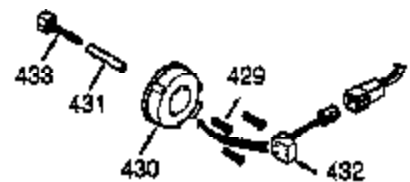
OPTIONAL  
STARTER MUFF KIT



OPTIONAL  
SPARK ARRESTOR KIT



OPTIONAL  
QUIET MUFFLER



OPTIONAL  
ADD-ON ALTERNATOR  
AC LIGHTING OR DC CHARGING

| Ref # | Part Number | Qty | Description                       |
|-------|-------------|-----|-----------------------------------|
| 103   | 651007      | 2   | Screw, Torx T-15, 10-24 x 15/16"  |
| 173A  | 32446       | 1   | Breather Tube Grommet             |
| 277A  | 651036      | 1   | Screw, 5/16-18 x 3-31/32"         |
| 278   | 36908       | 1   | Spacer                            |
| 280   | 36799A      | 1   | Heat Shield                       |
| 308   | 35540       | 1   | Fill Tube Clip                    |
| 342   | 30063       | 1   | Screw, Torx T-30, 1/4-20 x 1/2"   |
| 370G  | 35274       | 1   | Oil Instruction Decal             |
| 390   | 590746      | 1   | Rewind Starter                    |
| 416   | 34479A      | 1   | Spark Arrestor Kit (Optional)     |
| 420   | 730225      | 1   | SAE 30 4-Cycle Engine Oil (Quart) |