

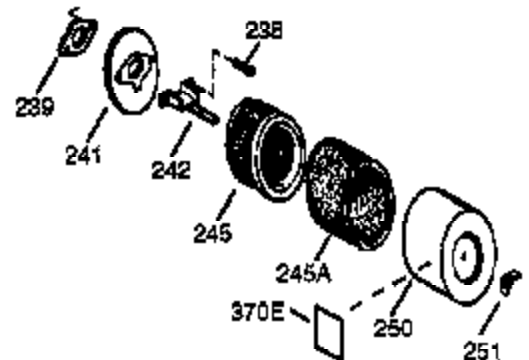
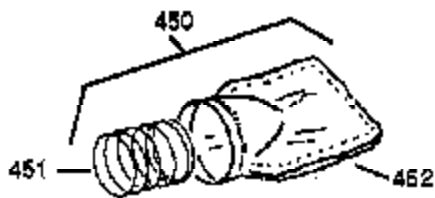
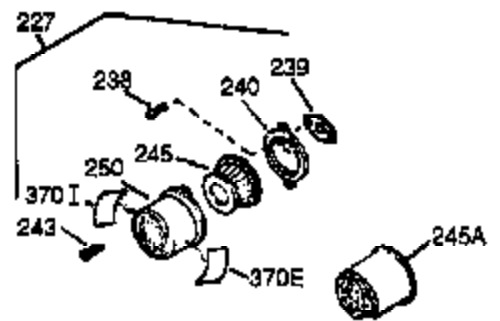
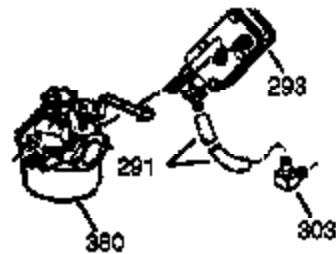
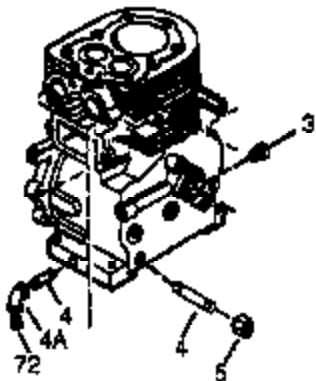
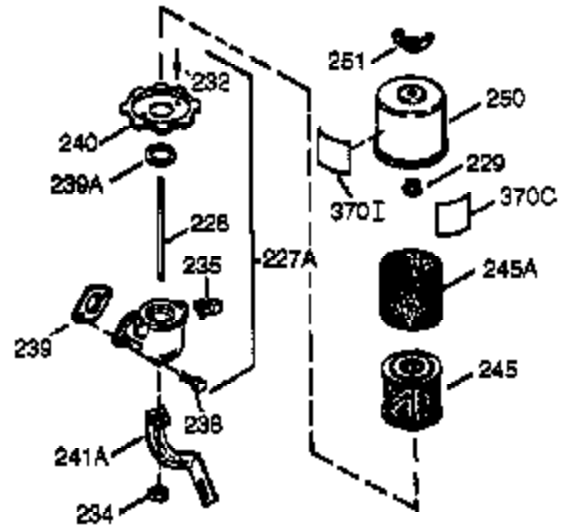
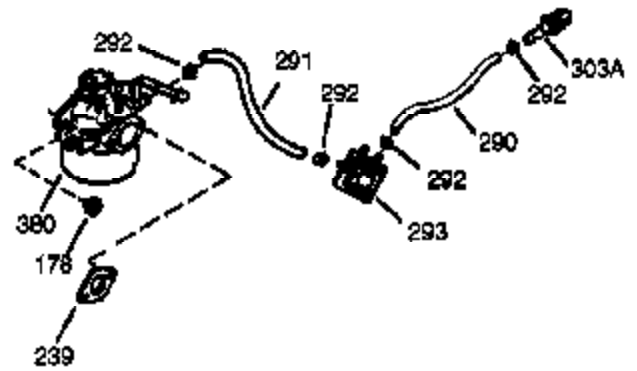
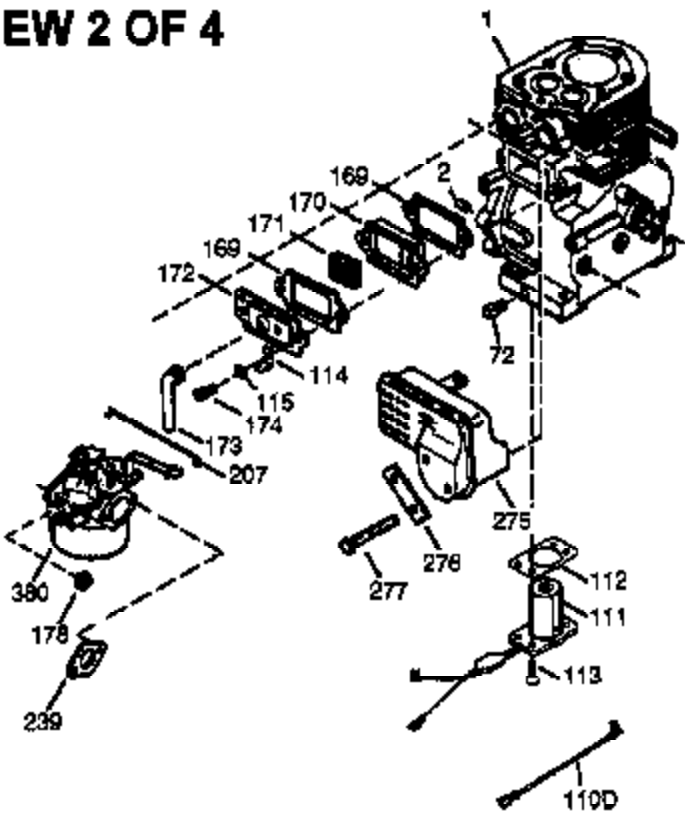
Ref #	Part Number	Qty	Description
1	35385	1	Cylinder (Incl. 2, 20 & 72)
2	27652	2	Dowel Pin
14	28277	1	Washer
15	30699C	1	Governor Rod (Incl. 15A & 15B)
15B	650494	1	Screw, 6-40 x 5/16"
15A	30700	1	Governor Yoke
16	33454	1	Governor Lever
17	29916	1	Governor Lever Clamp
18	651028	1	Screw, Torx T-15, 8-32 x 3/8"
19	34663	1	Speed Control Spring
19A	33857	1	Extension Spring
20	35319	1	Oil Seal
25	36460	1	Blower Housing Baffle
26	650561	2	Screw, 1/4-20 x 5/8"
28	30322	1	Lock Nut, 8-32
30	35529A	1	Crankshaft
35	29826	1	Screw, 10-32 x 3/4"
37	29216	1	Lock Nut, 10-32
38	29642	1	Retaining Ring
40	40011	1	Piston, Pin & Ring Set (Std.)
40	40012	1	Piston, Pin & Ring Set (.010" OS)
41	40009	1	Piston & Pin Ass'y. (Std.) (Incl. 43)
41	40010	1	Piston & Pin Ass'y. (.010" OS) (Incl. 43)
42	40013	1	Ring Set (Std.)
42	40014	1	Ring Set (.010" OS)
43	27888	2	Piston Pin Retaining Ring
45	36897	1	Connecting Rod Ass'y. (Incl. 47 & 49)
47	651033	2	Connecting Rod Bolt
48	34034	2	Valve Lifter
49	36896	1	Oil Dipper
50	35375	1	Camshaft (MCR)
60	33273A	1	Blower Housing Extension
62	650760	1	Screw, 8-32 x 3/8"
63	28545	1	Grommet
65	650128	1	Screw, 10-24 x 1/2"
69	35262A	1	* Cylinder Cover Gasket
70	33626B	1	Cylinder Cover (Incl. 74,75,80,175 & 176)
72	27642	2	Oil Drain Plug
80	31845	1	Governor Shaft
81	30590A	1	Washer
82	35378	1	Governor Gear Ass'y. (Incl. 81)
83	30588A	1	Governor Spool
84	29193	1	Retaining Ring
86	650833	7	Screw, 1/4-20 x 1-3/16"
87	650832	1	Screw, 1/4-20 x 1-11/16"
89	32589	1	Flywheel Key
90	611270	1	Flywheel
92	650880	1	Lock Washer
93	650881	1	Flywheel Nut
100	35135	1	Solid State Ignition
101	610118	1	Spark Plug Cover
102	651024	2	Solid State Mounting Stud
103	651007	2	Screw, Torx T-15, 10-24 x 15/16"
110	36993	1	Ground Wire
110A	37427	1	Ground Wire
111B	611224	1	Rocker On/Off Switch
119	36448	1	* Cylinder Head Gasket
120	36449	1	Cylinder Head

Ref #	Part Number	Qty	Description
125	27878A	1	Exhaust Valve (Std.) (Incl. 151)
125	27880A	1	Exhaust Valve (1/32" OS) (Incl. 151)
126	34035	1	Intake Valve (Std.) (Incl. 151)
126	34036	1	Intake Valve (1/32" OS) (Incl. 151)
127	650691	9	Washer
128	650690	7	Belleville Washer
130B	651031	1	Screw, 1/4-20 x 9/16"
130A	650727	2	Screw, 5/16-18 x 1-3/4"
130	650694A	7	Screw, 5/16-18 x 2"
135	33636	1	Resistor Spark Plug (RJ-17LM)
139	33369	1	Governor Gear Bracket
140	650836	2	Screw, 10-24 x 1/2"
149	27882	1	Valve Spring Cap
149A	35862	1	Valve Spring Cap
150	27881	2	Valve Spring
151	32581	2	Valve Spring Keeper
169	27896A	2	* Breather Gasket
170	28423	1	Breather Body
171	28424	1	Breather Element
172	28425	1	Valve Cover
173	32447	1	Breather Tube
173A	32446	3	Breather Tube Grommet
173A	32446	1	Breather Tube Grommet
174	650128	2	Screw, 10-24 x 1/2"
182	650517	2	Screw, Torx T-30, 1/4-20 x 27/32"
184	33263	1	* Carburetor To Intake Pipe Gasket
186	34661	1	Governor Link
200	34784	1	Control Bracket (Incl. 19, 203 & 204)
203	31342	1	Compression Spring
204	651029	1	Screw, Torx T-10, 5-40 x 7/16"
207	34785	1	Choke Link
209	650821	2	Screw, 10-32 x 1/2"
210	27793	1	Conduit Clip
211	28942	1	Screw, 10-32 x 3/8"
223	650378	2	Screw, Torx T-30, 5/16-18 x 1-1/8"
224	27915A	1	* Intake Pipe Gasket
260	37348	1	Blower Housing
261	650788	2	Screw, 5/16-18 x 3/4"
262	29747B	2	Screw, Torx T-40, 5/16-24 x 21/32"
265	33272B	1	Cylinder Head Cover
279B	26073	1	Washer
279	650273	2	Screw, 5/16-18 x 17/32"
280A	37077	1	Heat Shield
281	33013	1	Starter Bubble Cover
282	650760	1	Screw, 8-32 x 3/8"
284A	30196	2	Screw, 5/16-18 X 3/4"
285	35985B	1	Starter Cup
287	29752	4	Nut & Lock Washer, 1/4-28
291A	29774	1	Fuel Line (1.25")
294	35791	1	Pulse Pump Repair Kit
300	34186A	1	Fuel Tank (Incl. 292 & 301)
301	35650	1	Fuel Cap
304	35480	1	Fuel Cap Retainer
305	35554	1	Oil Fill Tube
307	35499	1	"O" Ring
308	35540	1	Fill Tube Clip
310	36205	1	Dipstick
325A	27275	1	Wire Clip

Ref #	Part Number	Qty	Description
342	650273	2	Screw, 5/16-18 x 17/32"
364	33377	1	Carburetor Cover Bracket
370G	35274	1	Oil Instruction Decal
370K	36695	1	Logo Decal (9.0 HP)
380	640108	1	Carburetor (Incl. 184)
390	590746	1	Rewind Starter (NOTE: This engine could have been built with 590704 starter.)
400	36450B	1	* Gasket Set (Incl. items marked PK in notes) Incl. part #'s 27272A (1), 27896A (2), 27915A (1), 29673 (1), 33263 (1), 33629 (1), 34698A (1), 35262A (1), 36448 (1)
420	730225A	1	SAE 30 4-Cycle Engine Oil (Quart)

ILLUSTRATION SHOWS TYPICAL PARTS ONLY. ORDER BY PART NUMBER. PARTS NOT LISTED ARE SUPPLIED BY OEM.

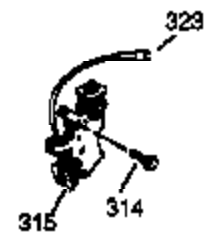
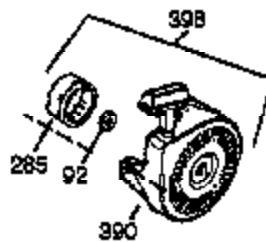
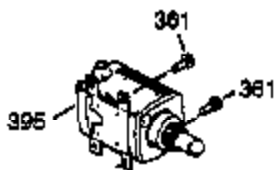
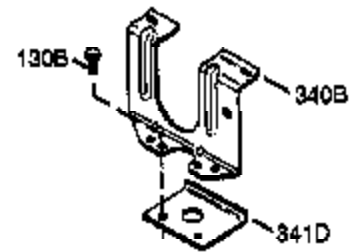
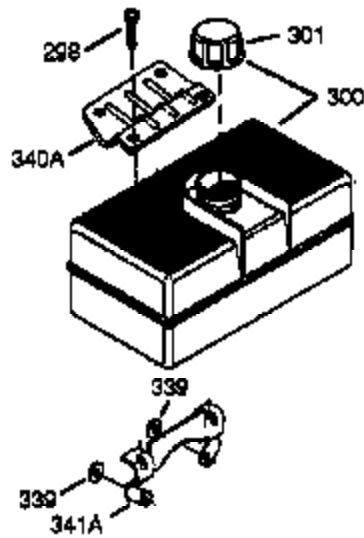
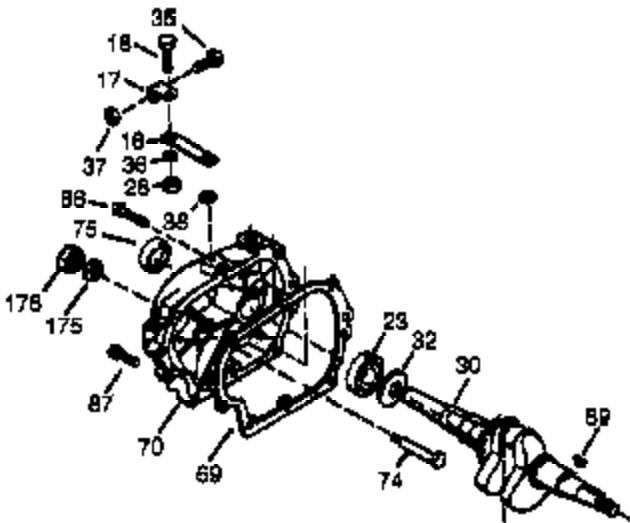
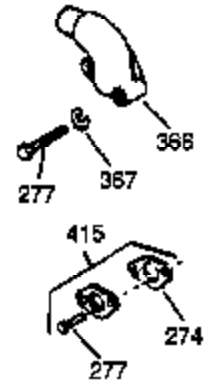
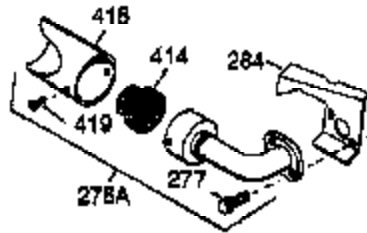
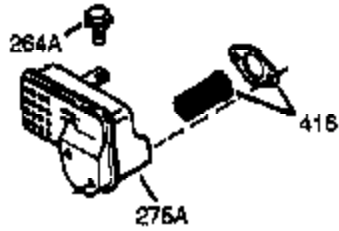
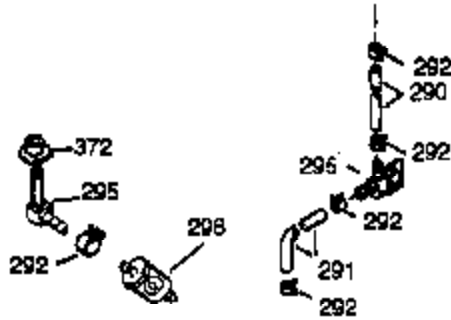
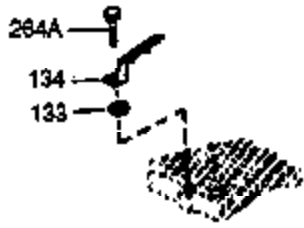
VIEW 2 OF 4



Ref #	Part Number	Qty	Description
	1 35385	1	Cylinder (Incl. 2, 20 & 72)
	2 27652	2	Dowel Pin
	19A 33857	1	Extension Spring
	72 27642	2	Oil Drain Plug
	110A 37427	1	Ground Wire
	111B 611224	1	Rocker On/Off Switch
	169 27896A	2	* Breather Gasket
	170 28423	1	Breather Body
	171 28424	1	Breather Element
	172 28425	1	Valve Cover
	173A 32446	3	Breather Tube Grommet
	173A 32446	1	Breather Tube Grommet
	174 650128	2	Screw, 10-24 x 1/2"
	207 34785	1	Choke Link
	239 27272A	1	* Air Cleaner Gasket
	240 37104	1	Air Cleaner Bracket
	242 33267	1	Air Cleaner Bracket
	243 28820	2	Screw, 10-32 x 1/2"
	245A 35881	1	Air Cleaner Filter
	245 33268	1	Air Cleaner Filter
	250 33269A	1	Air Cleaner Cover
	251 650513	1	Wing Nut, 1/4-20
	272 30196	1	Screw, 5/16-18 x 3/4"
	273 34349A	1	Carburetor Flange
	279 650273	2	Screw, 5/16-18 x 17/32"
	280A 37077	1	Heat Shield
	284A 30196	2	Screw, 5/16-18 X 3/4"
	290 29774	1	Fuel Line
	291A 29774	1	Fuel Line (1.25")
	291 30962	1	Fuel Line
	292 26460	5	Fuel Line Clamp
	293 35812	1	Pulse Pump (Incl. 294)
	303 28566	1	Pulse Pump Fitting
	308 35540	1	Fill Tube Clip
	380 640108	1	Carburetor (Incl. 184)
	420 730225A	1	SAE 30 4-Cycle Engine Oil (Quart)

ILLUSTRATION SHOWS TYPICAL PARTS ONLY. ORDER BY PART NUMBER. PARTS NOT LISTED ARE SUPPLIED BY OEM.

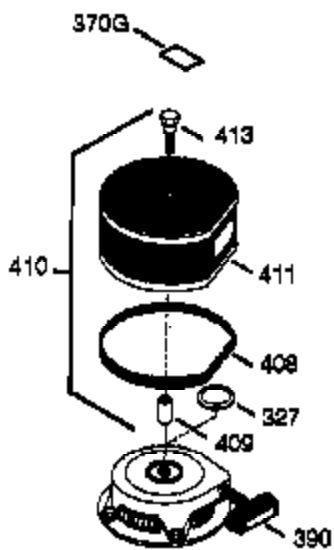
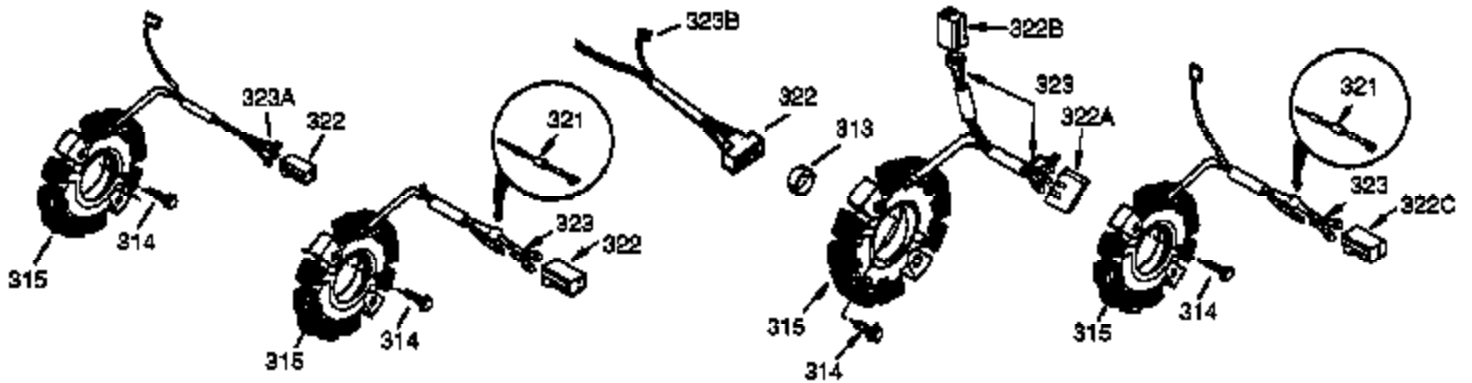
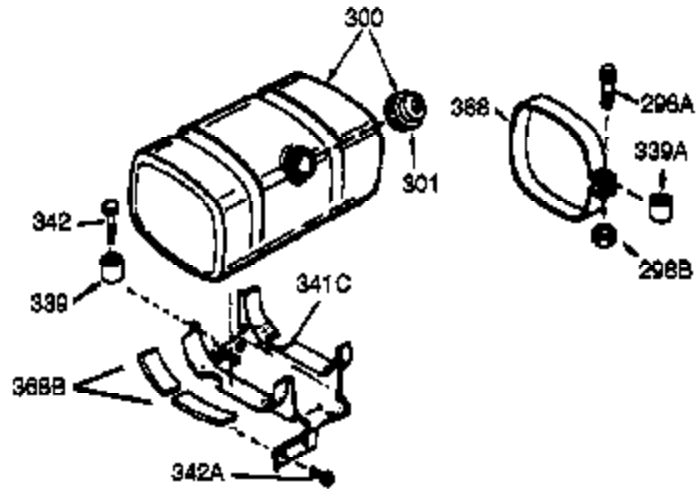
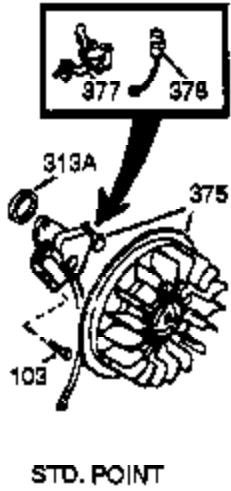
VIEW 3 OF 4



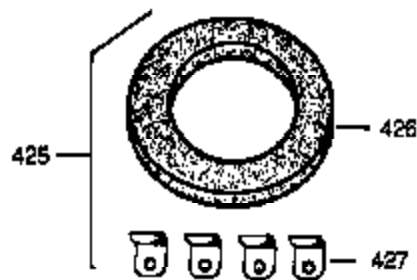
Ref #	Part Number	Qty	Description
16	33454	1	Governor Lever
17	29916	1	Governor Lever Clamp
18	651028	1	Screw, Torx T-15, 8-32 x 3/8"
19A	33857	1	Extension Spring
23	33627	1	Ball Bearing
28	30322	1	Lock Nut, 8-32
30	35529A	1	Crankshaft
32	33628	1	Washer
35	29826	1	Screw, 10-32 x 3/4"
36	29918	1	Lock Washer
37	29216	1	Lock Nut, 10-32
38	29642	1	Retaining Ring
69	35262A	1	* Cylinder Cover Gasket
70	33626B	1	Cylinder Cover (Incl. 74,75,80,175 & 176)
74	31855	2	Bearing Retainer
75	33625	1	Oil Seal
86	650833	7	Screw, 1/4-20 x 1-3/16"
87	650832	1	Screw, 1/4-20 x 1-11/16"
89	32589	1	Flywheel Key
92	650880	1	Lock Washer
110A	37427	1	Ground Wire
111B	611224	1	Rocker On/Off Switch
130B	651031	1	Screw, 1/4-20 x 9/16"
173A	32446	3	Breather Tube Grommet
173A	32446	1	Breather Tube Grommet
175	650778	2	Lock Washer
176	650580	2	Lock Nut, 10-24
264A	650802	1	Screw, 1/4-20 x 5/8"
274	35865	1	* Muffler Gasket
279	650273	2	Screw, 5/16-18 x 17/32"
280A	37077	1	Heat Shield
284	34390	1	Muffler Deflector
284A	30196	2	Screw, 5/16-18 X 3/4"
285	35985B	1	Starter Cup
290	29774	1	Fuel Line
291	30962	1	Fuel Line
291A	29774	1	Fuel Line (1.25")
292	26460	5	Fuel Line Clamp
298	650665	2	Screw, 1/4-15 x 3/4"
300	34186A	1	Fuel Tank (Incl. 292 & 301)
301	35650	1	Fuel Cap
308	35540	1	Fill Tube Clip
314	650873	2	Screw, 1/4-20 x 3/4"
315	611104	1	Alternator Coil (3/5 Split)(Incl. 321 , 322 & 323)
323	611118	2	Terminal
339	35880	2	Spacer
340A	34259	1	Fuel Tank Bracket
341A	34258A	1	Fuel Tank Bracket
390	590746	1	Rewind Starter (NOTE: This engine could have been built with 590704 starter.)
420	730225A	1	SAE 30 4-Cycle Engine Oil (Quart)

ILLUSTRATION SHOWS TYPICAL PARTS ONLY. ORDER BY PART NUMBER. PARTS NOT LISTED ARE SUPPLIED BY OEM.

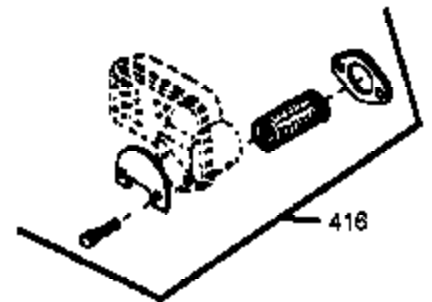
VIEW 4 OF 4



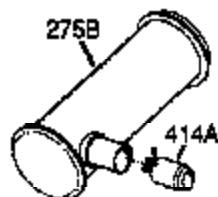
OPTIONAL
DEBRIS SCREEN KIT



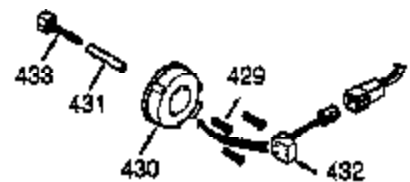
OPTIONAL
STARTER MUFF KIT



OPTIONAL
SPARK ARRESTOR KIT



OPTIONAL
QUIET MUFFLER



OPTIONAL
ADD-ON ALTERNATOR
AC LIGHTING OR DC CHARGING

Ref #	Part Number	Qty	Description
19A	33857	1	Extension Spring
103	651007	2	Screw, Torx T-15, 10-24 x 15/16"
110A	37427	1	Ground Wire
111B	611224	1	Rocker On/Off Switch
173A	32446	3	Breather Tube Grommet
173A	32446	1	Breather Tube Grommet
275B	37150	1	Muffler
279	650273	2	Screw, 5/16-18 x 17/32"
280A	37077	1	Heat Shield
284A	30196	2	Screw, 5/16-18 X 3/4"
291A	29774	1	Fuel Line (1.25")
300	34186A	1	Fuel Tank (Incl. 292 & 301)
301	35650	1	Fuel Cap
308	35540	1	Fill Tube Clip
314	650873	2	Screw, 1/4-20 x 3/4"
315	611104	1	Alternator Coil (3/5 Split)(Incl. 321 , 322 & 323)
321	611161	1	Diode
322	611142	1	Connector Body
323	611118	2	Terminal
339	35880	2	Spacer
342	650273	2	Screw, 5/16-18 x 17/32"
370G	35274	1	Oil Instruction Decal
390	590746	1	Rewind Starter (NOTE: This engine could have been built with 590704 starter.)
420	730225A	1	SAE 30 4-Cycle Engine Oil (Quart)