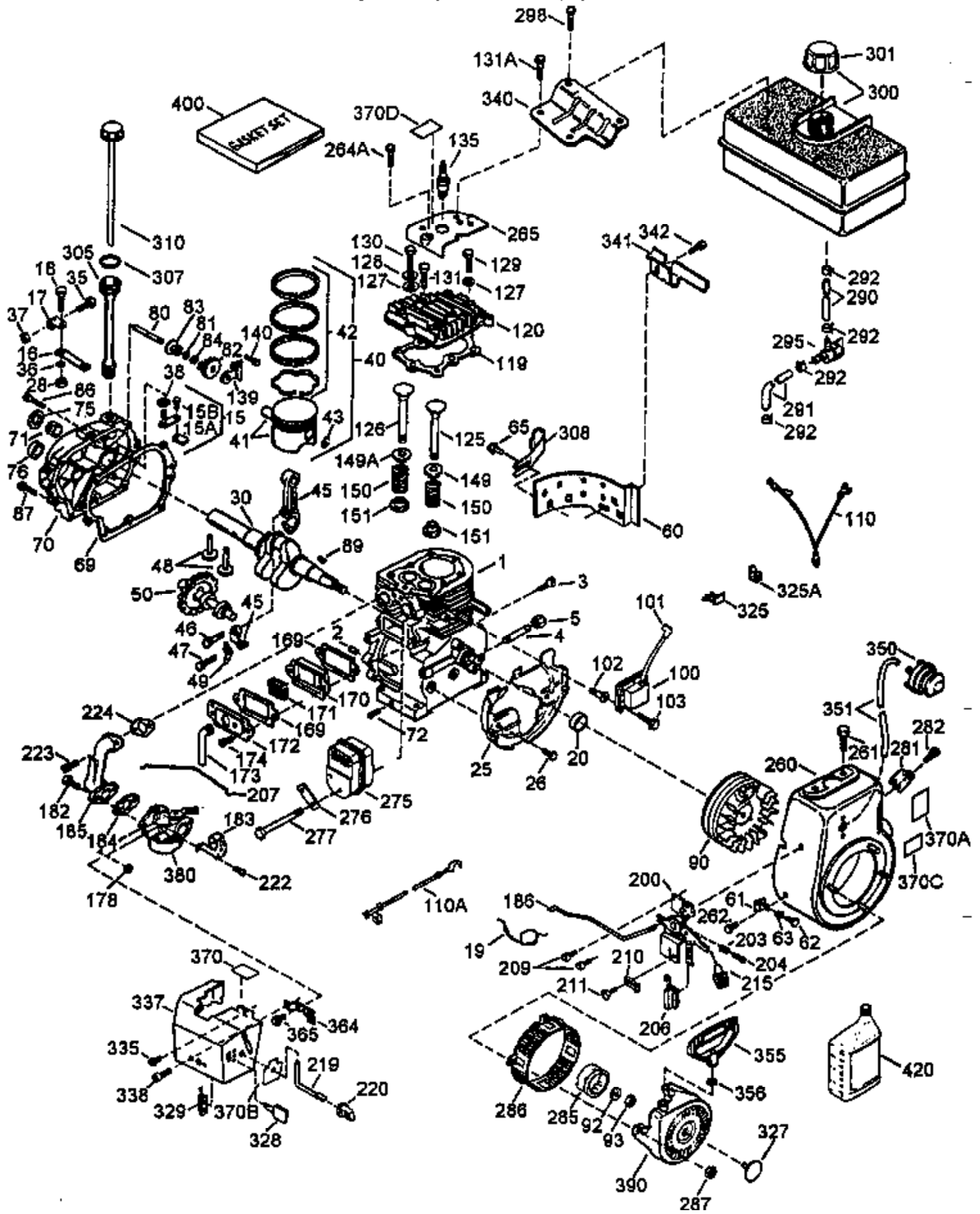


VIEW 1 of 2 ... this illustration may not depict actual equipment and is for reference only!

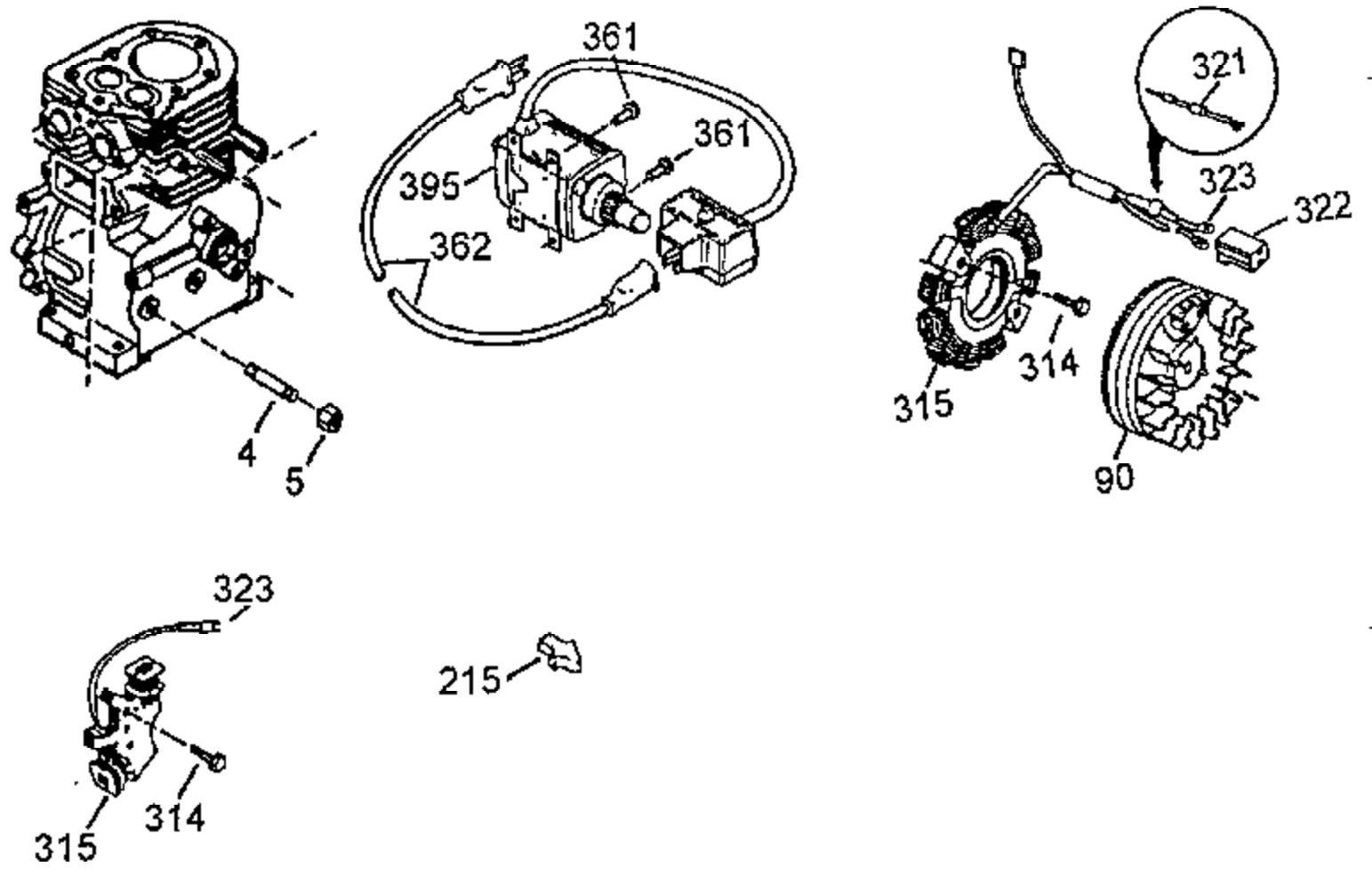


| Ref # | Part Number | Qty | Description |
|-------|-------------|-----|---|
| 1 | 35371 | 1 | Cylinder (Incl. 2, 20 & 72) |
| 2 | 27652 | 2 | Dowel Pin |
| 3 | 650820 | 2 | Screw, 1/4-20 x 1/2" |
| 15 | 30699C | 1 | Governor Rod (Incl. 15A & 15B) |
| 15B | 650494 | 1 | Screw, 6-40 x 5/16" |
| 15A | 30700 | 1 | Governor Yoke |
| 16 | 33454 | 1 | Governor Lever |
| 17 | 29916 | 1 | Governor Lever Clamp |
| 18 | 650548 | 1 | Screw, 8-32 x 5/16" |
| 19 | 34663 | 1 | Speed Control Spring |
| 20 | 35319 | 1 | Oil Seal |
| 25 | 36460 | 1 | Blower Housing Baffle |
| 26 | 650561 | 2 | Screw, 1/4-20 x 5/8" |
| 28 | 30322 | 1 | Lock Nut, 8-32 |
| 30 | 35443A | 1 | Crankshaft |
| 35 | 29826 | 1 | Screw, 10-32 x 3/4" |
| 36 | 29918 | 1 | Lock Washer |
| 37 | 29216 | 1 | Lock Nut, 10-32 |
| 38 | 29642 | 1 | Retaining Ring |
| 40 | 35776 | 1 | Piston, Pin & Ring Set (Std.) |
| 40 | 35777 | 1 | Piston, Pin & Ring Set (.010" OS) |
| 40 | 35778 | 1 | Piston, Pin & Ring Set (.020" OS) |
| 41 | 35773 | 1 | Piston & Pin Ass'y. (Std.) (Incl. 43) |
| 41 | 35774 | 1 | Piston & Pin Ass'y. (.010" OS) (Incl. 43) |
| 41 | 35775 | 1 | Piston & Pin Ass'y. (.020" OS) (Incl. 43) |
| 42 | 35779 | 1 | Ring Set (Std.) |
| 42 | 35780 | 1 | Ring Set (.010" OS) |
| 42 | 35781 | 1 | Ring Set (.020" OS) |
| 43 | 35772 | 2 | Piston Pin Retaining Ring |
| 45 | 35681 | 1 | Connecting Rod Ass'y. (Incl.46,47,49) |
| 46 | 650908 | 1 | Connecting Rod Bolt |
| 47 | 650882 | 1 | Connecting Rod Bolt |
| 48 | 34034 | 2 | Valve Lifter |
| 49 | 35374 | 1 | Oil Dipper |
| 50 | 35375 | 1 | Camshaft (MCR) |
| 60 | 33273A | 1 | Blower Housing Extension |
| 61 | 34126 | 1 | Grommet Mounting Bracket |
| 62 | 650760 | 1 | Screw, 8-32 x 3/8" |
| 63 | 28545 | 1 | Grommet |
| 65 | 650128 | 1 | Screw, 10-24 x 1/2" |
| 69 | 35262A | 1 | * Cylinder Cover Gasket |
| 70 | 35376 | 1 | Cylinder Cover (Incl. 71, 75 & 80) |
| 71 | 35377 | 1 | Crankshaft Bushing |
| 72 | 27642 | 3 | Oil Drain Plug |
| 72A | 28534 | 1 | Oil Drain Plug |
| 75 | 35319 | 1 | Oil Seal |
| 80 | 31845 | 1 | Governor Shaft |
| 81 | 30590A | 1 | Washer |
| 82 | 35378 | 1 | Governor Gear Ass'y. (Incl. 81) |
| 83 | 30588A | 1 | Governor Spool |
| 84 | 29193 | 1 | Retaining Ring |
| 86 | 650833 | 7 | Screw, 1/4-20 x 1-3/16" |
| 87 | 650832 | 1 | Screw, 1/4-20 x 1-11/16" |
| 89 | 32589 | 1 | Flywheel Key |
| 90 | 611093 | 1 | Flywheel (W/Ring Gear) |
| 92 | 650880 | 1 | Lock Washer |
| 93 | 650881 | 1 | Flywheel Nut |
| 100 | 35135 | 1 | Solid State Ignition |

| Ref # | Part Number | Qty | Description |
|-------|-------------|-----|---------------------------------------|
| 101 | 610118 | 1 | Spark Plug Cover |
| 102 | 650872 | 2 | Solid State Mounting Stud |
| 103 | 651007 | 2 | Screw, Torx T-15, 10-24 x 15/16" |
| 110A | 35305 | 1 | Ground Wire |
| 110 | 35253 | 1 | Ground Wire |
| 119 | 36451 | 1 | * Cylinder Head Gasket |
| 120 | 36449 | 1 | Cylinder Head |
| 125 | 27878A | 1 | Exhaust Valve (Std.) (Incl. 151) |
| 125 | 27880A | 1 | Exhaust Valve (1/32" OS) (Incl. 151) |
| 126 | 34035 | 1 | Intake Valve (Std.) (Incl. 151) |
| 126 | 34036 | 1 | Intake Valve (1/32" OS) (Incl. 151) |
| 127 | 650691 | 5 | Washer |
| 128 | 650690 | 3 | Belleville Washer |
| 129 | 650727 | 2 | Screw, 5/16-18 x 1-3/4" |
| 130 | 6021A | 4 | Screw, 5/16-18 x 1-1/2" |
| 131 | 650694A | 3 | Screw, 5/16-18 x 2" |
| 131A | 650713 | 2 | Screw, 5/16-18 x 5/8" |
| 135 | 33636 | 1 | Resistor Spark Plug (RJ17LM) |
| 139 | 33369 | 1 | Governor Gear Bracket |
| 140 | 650836 | 2 | Screw, 10-24 x 1/2" |
| 149A | 35862 | 1 | Valve Spring Cap |
| 149 | 27882 | 1 | Valve Spring Cap |
| 150 | 27881 | 2 | Valve Spring |
| 151 | 32581 | 2 | Valve Spring Keeper |
| 169 | 27896A | 2 | * Valve Cover Gasket |
| 170 | 28423 | 1 | Breather Body |
| 171 | 28424 | 1 | Breather Element |
| 172 | 28425 | 1 | Valve Cover |
| 173 | 35350 | 1 | Breather Tube |
| 174 | 650128 | 2 | Screw, 10-24 x 1/2" |
| 178 | 29752 | 2 | Nut & Lock Washer, 1/4-28 |
| 182 | 30088A | 2 | Screw, 1/4-28 x 1" |
| 183 | 34587A | 1 | Choke Bracket |
| 184 | 33263 | 1 | * Carburetor To Intake Pipe Gasket |
| 185 | 33877 | 1 | Intake Pipe |
| 186 | 34667 | 1 | Governor Link |
| 186B | 36652 | 1 | Choke Spring |
| 200 | 34677 | 1 | Control Bracket (Incl.19,203,204,206) |
| 203 | 31342 | 1 | Compression Spring |
| 204 | 650549 | 1 | Screw, 5-40 x 7/16" |
| 206 | 610973 | 1 | Terminal |
| 207 | 33878 | 1 | Throttle Link |
| 209 | 650821 | 2 | Screw, 10-32 x 1/2" |
| 215 | 35438 | 1 | Control Knob |
| 219 | 34586 | 1 | Choke Rod |
| 220 | 35440 | 1 | Control Knob |
| 222 | 28820 | 2 | Screw, 10-32 x 1/2" |
| 223 | 650378 | 2 | Screw, Torx T-30, 5/16-18 x 1-1/8" |
| 224 | 27915A | 1 | * Intake Pipe Gasket |
| 260 | 35447A | 1 | Blower Housing |
| 261 | 650788 | 2 | Screw, 5/16-18 x 3/4" |
| 262 | 29747B | 2 | Screw, Torx T-40, 5/16-24 x 21/32" |
| 264A | 650802 | 1 | Screw, 1/4-20 x 5/8" |
| 265 | 33272B | 1 | Cylinder Head Cover (Black) |
| 275 | 35056 | 1 | Muffler |
| 276 | 31588 | 1 | Locking Plate |
| 277 | 651002 | 2 | Screw, 5/16-18 x 4-3/16" |
| 281 | 33013 | 1 | Starter Bubble Cover |

| Ref # | Part Number | Qty | Description |
|-------|-------------|-----|---|
| 282 | 650760 | 1 | Screw, 8-32 x 3/8" |
| 285 | 35985B | 1 | Starter Cup |
| 287 | 29752 | 4 | Nut & Lock Washer, 1/4-28 |
| 290 | 29774 | 1 | Fuel Line |
| 291 | 30705 | 1 | Fuel Line |
| 292 | 26460 | 4 | Fuel Line Clamp |
| 295 | 35857 | 1 | Fuel Shut-Off Valve |
| 298 | 650665 | 2 | Screw, 1/4-15 x 3/4" |
| 300 | 34156A | 1 | Fuel Tank (Incl. 292 & 301) |
| 301 | 35355 | 1 | Fuel Cap |
| 305 | 35554 | 1 | Oil Fill Tube |
| 307 | 35499 | 1 | "O" Ring |
| 308 | 35540 | 1 | Fill Tube Clip |
| 310 | 36205 | 1 | Dipstick |
| 325 | 29443 | 1 | Wire Clip |
| 327 | 35392 | 1 | Starter Plug |
| 328 | 35062 | 2 | Ignition Key |
| 329 | 610973 | 1 | Terminal |
| 335 | 35057A | 1 | Carburetor Cover |
| 336 | 650765 | 1 | Screw, 10-32 x 1/2" |
| 338 | 28942 | 2 | Screw, 10-32 x 3/8" |
| 340 | 34154 | 1 | Fuel Tank Bracket |
| 341 | 34155 | 1 | Fuel Tank Bracket |
| 342 | 650561 | 1 | Screw, 1/4-20 x 5/8" |
| 343 | 35079 | 1 | Key Switch Bracket |
| 350 | 570682 | 1 | Primer Ass'y. |
| 351 | 32180C | 1 | Primer Line |
| 355 | 590574 | 1 | Starter Handle |
| 364 | 33377 | 1 | Carburetor Cover Bracket |
| 365 | 650767 | 2 | Screw, 8-32 x 27/64" |
| 370C | 36501 | 1 | Primer Decal |
| 370D | 36261 | 1 | Lubrication Decal |
| 370B | 35077 | 1 | Instruction Decal |
| 370 | 34414 | 1 | Warning Decal |
| 380 | 632370A | 1 | Carburetor (Incl. 184) |
| 390 | 590733 | 1 | Rewind Starter |
| 400 | 36452A | 1 | * Gasket Set (Incl. items marked PK in notes) Incl. part #'s 27272A (1), 27896A (2), 27915A (1), 29673 (1), 29673 (1), 33263 (1), 33629 (1), 34698A (1) 35262A (1), 35317 (1), 36451 (1) |
| 420 | 730226 | 1 | SAE 5W30 4-Cycle Engine Oil (Quart) |

VIEW 2 of 2 ... this illustration may not depict actual equipment and is for reference only!



| Ref # | Part Number | Qty | Description |
|-------|-------------|-----|--------------------------------------|
| 37 | 29216 | 1 | Lock Nut, 10-32 |
| 72A | 28534 | 1 | Oil Drain Plug |
| 90 | 611093 | 1 | Flywheel (W/Ring Gear) |
| 186B | 36652 | 1 | Choke Spring |
| 215 | 35438 | 1 | Control Knob |
| 314 | 650873 | 1 | Screw, 1/4-20 x 3/4" |
| 315 | 611111 | 1 | Alternator Coil (18 Watt)(Incl. 323) |
| 323 | 611118 | 1 | Terminal |
| 336 | 650765 | 1 | Screw, 10-32 x 1/2" |
| 343 | 35079 | 1 | Key Switch Bracket |