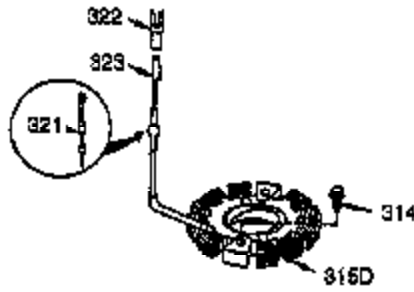
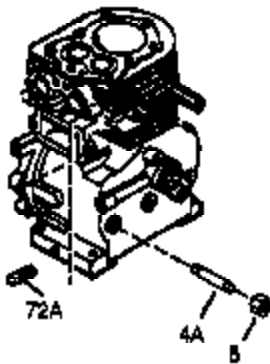
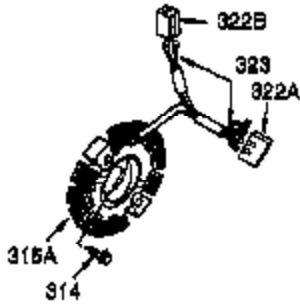




| Ref # | Part Number | Qty | Description                               |
|-------|-------------|-----|---|
| 1     | 35385       | 1   | Cylinder Ass'y. (Incl. 2 & 20)            |
| 2     | 27652       | 2   | Dowel Pin                                 |
| 3     | 650820      | 2   | Screw, 1/4-20 x 1/2"                      |
| 4     | 0           | 1   | Oil Drain Extension (Purchase Locally )   |
| 5     | 30969       | 1   | Extension Cap                             |
| 14    | 28277       | 1   | Washer                                    |
| 15A   | 30700       | 1   | Governor Yoke                             |
| 15B   | 650494      | 1   | Screw, 6-40 x 5/16"                       |
| 15    | 30699C      | 1   | Governor Rod (Incl. 15A & 15B)            |
| 16    | 33454A      | 1   | Governor Lever                            |
| 17    | 29916       | 1   | Governor Lever Clamp                      |
| 18    | 651028      | 1   | Screw, Torx T-15, 8-32 x 3/8"             |
| 19    | 34663       | 1   | Speed Control Spring                      |
| 20    | 35319       | 1   | Oil Seal                                  |
| 25    | 36460       | 1   | Blower Housing Baffle                     |
| 26    | 650561      | 2   | Screw, 1/4-20 x 5/8"                      |
| 28    | 30322       | 1   | Lock Nut, 8-32                            |
| 30    | 35443A      | 1   | Crankshaft                                |
| 35    | 29826       | 1   | Screw, 10-32 x 3/4"                       |
| 36    | 29918       | 1   | Lock Washer                               |
| 37    | 29216       | 1   | Lock Nut, 10-32                           |
| 38    | 29642       | 1   | Retaining Ring                            |
| 40    | 40011       | 1   | Piston, Pin & Ring Set (Std.)             |
| 40    | 40012       | 1   | Piston, Pin & Ring Set (.010" OS)         |
| 41    | 40009       | 1   | Piston & Pin Ass'y. (Std.) (Incl. 43)     |
| 41    | 40010       | 1   | Piston & Pin Ass'y. (.010" OS) (Incl. 43) |
| 42    | 40013       | 1   | Ring Set (Std.)                           |
| 42    | 40014       | 1   | Ring Set (.010" OS)                       |
| 43    | 27888       | 2   | Piston Pin Retaining Ring                 |
| 45    | 36897       | 1   | Connecting Rod Ass'y. (Incl. 47 & 49)     |
| 47    | 651033      | 2   | Connecting Rod Bolt                       |
| 48    | 34034       | 2   | Valve Lifter                              |
| 49    | 36896       | 1   | Oil Dipper                                |
| 50    | 35444       | 1   | Camshaft (MCR)                            |
| 60    | 33273A      | 1   | Blower Housing Extension                  |
| 65    | 650128      | 1   | Screw, 10-24 x 1/2"                       |
| 69    | 35262A      | 1   | * Cylinder Cover Gasket                   |
| 70    | 35445A      | 1   | Cylinder Cover (Incl. 71,75,76 & 80)      |
| 71    | 35377       | 1   | Crankshaft Bushing                        |
| 75    | 35319       | 1   | Oil Seal                                  |
| 76    | 28926       | 1   | Camshaft Seal                             |
| 80    | 31845       | 1   | Governor Shaft                            |
| 81    | 30590A      | 1   | Washer                                    |
| 82    | 35378       | 1   | Governor Gear Ass'y. (Incl. 81)           |
| 83    | 30588A      | 1   | Governor Spool                            |
| 84    | 29193       | 1   | Retaining Ring                            |
| 86    | 650833      | 7   | Screw, 1/4-20 x 1-3/16"                   |
| 87    | 650832      | 1   | Screw, 1/4-20 x 1-11/16"                  |
| 89    | 32589       | 1   | Flywheel Key                              |
| 90    | 611093      | 1   | Flywheel (W/Ring Gear)                    |
| 92    | 650880      | 1   | Belleville Washer                         |
| 93    | 650881      | 1   | Flywheel Nut                              |
| 100   | 35135A      | 1   | Solid State Ignition (Incl. 101)          |
| 101   | 610118      | 1   | Spark Plug Cover                          |
| 102   | 651024      | 2   | Solid State Mounting Stud                 |
| 103   | 651007      | 2   | Screw, Torx T-15, 10-24 x 15/16"          |
| 110   | 35187       | 1   | Ground Wire                               |
| 119   | 36448       | 1   | * Cylinder Head Gasket                    |

| Ref # | Part Number | Qty | Description                                |
|-------|-------------|-----|--|
| 120   | 36449       | 1   | Cylinder Head                              |
| 125   | 27878A      | 1   | Exhaust Valve (Std.) (Incl. 151)           |
| 125   | 27880A      | 1   | Exhaust Valve (1/32" OS) (Incl.151)        |
| 126   | 34035       | 1   | Intake Valve (Std.) (Incl. 151)            |
| 127   | 650691      | 4   | Washer                                     |
| 130B  | 651055      | 2   | Screw, 5/16-18 x 39/64"                    |
| 130A  | 650727      | 4   | Screw, 5/16-18 x 1-3/4"                    |
| 130   | 6021A       | 5   | Screw, 5/16-18 x 1-1/2"                    |
| 135   | 35395       | 1   | Resistor Spark Plug (RJ19LM)               |
| 139   | 33369       | 1   | Governor Gear Bracket                      |
| 140   | 650836      | 2   | Screw, 10-24 x 1/2"                        |
| 149A  | 35862       | 1   | Valve Spring Cap                           |
| 149   | 27882       | 1   | Valve Spring Cap                           |
| 150   | 27881       | 2   | Valve Spring                               |
| 151   | 32581       | 2   | Valve Spring Keeper                        |
| 169   | 27896A      | 1   | * Valve Cover Gasket                       |
| 170   | 28423       | 1   | Breather Body                              |
| 171   | 28424       | 1   | Breather Element                           |
| 172   | 28425       | 1   | Valve Cover                                |
| 173   | 35350       | 1   | Breather Tube                              |
| 174   | 650128      | 2   | Screw, 10-24 x 1/2"                        |
| 178   | 29752       | 2   | Nut & Lock Washer, 1/4-28                  |
| 182   | 30088A      | 2   | Screw, 1/4-28 x 1"                         |
| 183   | 34587A      | 1   | Choke Bracket                              |
| 184   | 33263       | 1   | * Carburetor To Intake Pipe Gasket         |
| 185   | 33877       | 1   | Intake Pipe                                |
| 186   | 34667       | 1   | Governor Link                              |
| 186B  | 36652       | 1   | Choke Spring                               |
| 200   | 34677       | 1   | Control Bracket (Incl. 19, 203, 204 & 206) |
| 203   | 31342       | 1   | Compression Spring                         |
| 204   | 651029      | 1   | Screw, Torx T-10, 5-40 x 7/16"             |
| 206   | 610973      | 1   | Terminal                                   |
| 207   | 33878       | 1   | Throttle Link                              |
| 209   | 650821      | 2   | Screw, 10-32 x 1/2"                        |
| 215   | 35440       | 1   | Control Knob                               |
| 219   | 34586       | 1   | Choke Rod                                  |
| 220   | 35438       | 1   | Choke Knob                                 |
| 222   | 28820       | 2   | Screw, 10-32 x 1/2"                        |
| 223   | 650378      | 2   | Screw, Torx T-30, 5/16-18 x 1-1/8"         |
| 224   | 27915A      | 1   | * Intake Pipe Gasket                       |
| 260   | 35447A      | 1   | Blower Housing                             |
| 261   | 650788      | 2   | Screw, 5/16-18 x 3/4"                      |
| 262   | 29747B      | 2   | Screw, Torx T-40, 5/16-24 x 21/32"         |
| 264A  | 650802      | 1   | Screw, 1/4-20 x 5/8"                       |
| 265   | 33272D      | 1   | Cylinder Head Cover (Black)                |
| 275   | 35056       | 1   | Muffler                                    |
| 276   | 31588       | 1   | Locking Plate                              |
| 277   | 651002      | 2   | Screw, 5/16-18 x 4-3/16"                   |
| 285   | 35985B      | 1   | Starter Cup                                |
| 287   | 29752       | 4   | Nut & Lock Washer, 1/4-28                  |
| 290   | 30705       | 1   | Fuel Line                                  |
| 292   | 26460       | 4   | Fuel Line Clamp                            |
| 298   | 650665      | 2   | Screw, 1/4-15 x 7/8"                       |
| 300   | 34156A      | 1   | Fuel Tank (Incl. 292 & 301)                |
| 301   | 36246       | 1   | Fuel Cap                                   |
| 305   | 35554       | 1   | Oil Fill Tube                              |
| 307   | 35499       | 1   | "O" Ring                                   |
| 308   | 35540       | 1   | Fill Tube Clip                             |

| Ref # | Part Number | Qty | Description  |
|-------|-------------|-----|--|
| 310   | 36205       | 1   | Dipstick   |
| 314   | 650873      | 1   | Screw, 1/4-20 x 3/4"   |
| 315   | 611111      | 1   | Alternator Coil (18 Watt) (Incl. 323)  |
| 323   | 611118      | 1   | Terminal   |
| 325   | 29443       | 1   | Wire Clip  |
| 328   | 35062       | 2   | Key Switch (Push-In)   |
| 329   | 610973      | 1   | Terminal   |
| 335   | 35057A      | 1   | Carburetor Cover (Black)   |
| 336   | 650765      | 1   | Screw, 10-32 x 1/2"  |
| 338   | 28942       | 2   | Screw, 10-32 x 3/8"  |
| 340   | 34154       | 1   | Fuel Tank Bracket (Black)  |
| 341   | 34155       | 1   | Fuel Tank Bracket  |
| 342   | 650561      | 1   | Screw, 1/4-20 x 5/8"   |
| 343A  | 651060      | 1   | Screw, 10-32 x 23/64"  |
| 343   | 35079       | 1   | Key Switch Bracket   |
| 350   | 570682A     | 1   | Primer Bulb  |
| 351   | 32180C      | 1   | Primer Line (12.00")   |
| 355   | 590574      | 1   | Starter Handle (Mitten Grip)   |
| 361   | 650990      | 2   | Screw, Torx T-30, 1/4-20 x 15/32"  |
| 364   | 33377       | 1   | Carburetor Cover Bracket   |
| 365   | 650767      | 2   | Screw, 8-32 x 27/64"   |
| 370B  | 35077       | 1   | Instruction Decal  |
| 370K  | 36695       | 1   | Starter Decal  |
| 380   | 640052      | 1   | Carburetor (Incl. 184)   |
| 390   | 590749      | 1   | Rewind Starter (NOTE: This engine could have been built with 590733 starter.)  |
| 395   | 37102       | 1   | Electric Starter Motor (220 Volt)  |
| 400   | 36450C      | 1   | * Gasket Set (Incl. items marked PK in notes) Incl. part #'s 27272A (1), 27896A (2), 27915A (1), 29673 (1), 33263 (1), 33629 (1), 34698A (1), 35317 (1), 35967A (1), 37342 (1) |
| 420   | 730226A     | 1   | SAE 5W30 4-Cycle Engine Oil (Quart)  |



| Ref # | Part Number | Qty | Description   |
|-------|-------------|-----|---|
|       | 5 30969     | 1   | Extension Cap   |
|       | 92 650880   | 1   | Belleville Washer   |
|       | 93 650881   | 1   | Flywheel Nut  |
| 110A  | 37047       | 1   | Ground Wire   |
| 285   | 35985B      | 1   | Starter Cup   |
| 287   | 29752       | 4   | Nut & Lock Washer, 1/4-28   |
| 314   | 650873      | 1   | Screw, 1/4-20 x 3/4"  |
| 323   | 611118      | 1   | Terminal  |
| 355   | 590574      | 1   | Starter Handle (Mitten Grip)  |
| 361   | 650990      | 2   | Screw, Torx T-30, 1/4-20 x 15/32"   |
| 390   | 590749      | 1   | Rewind Starter (NOTE: This engine could have been built with 590733 starter.) |