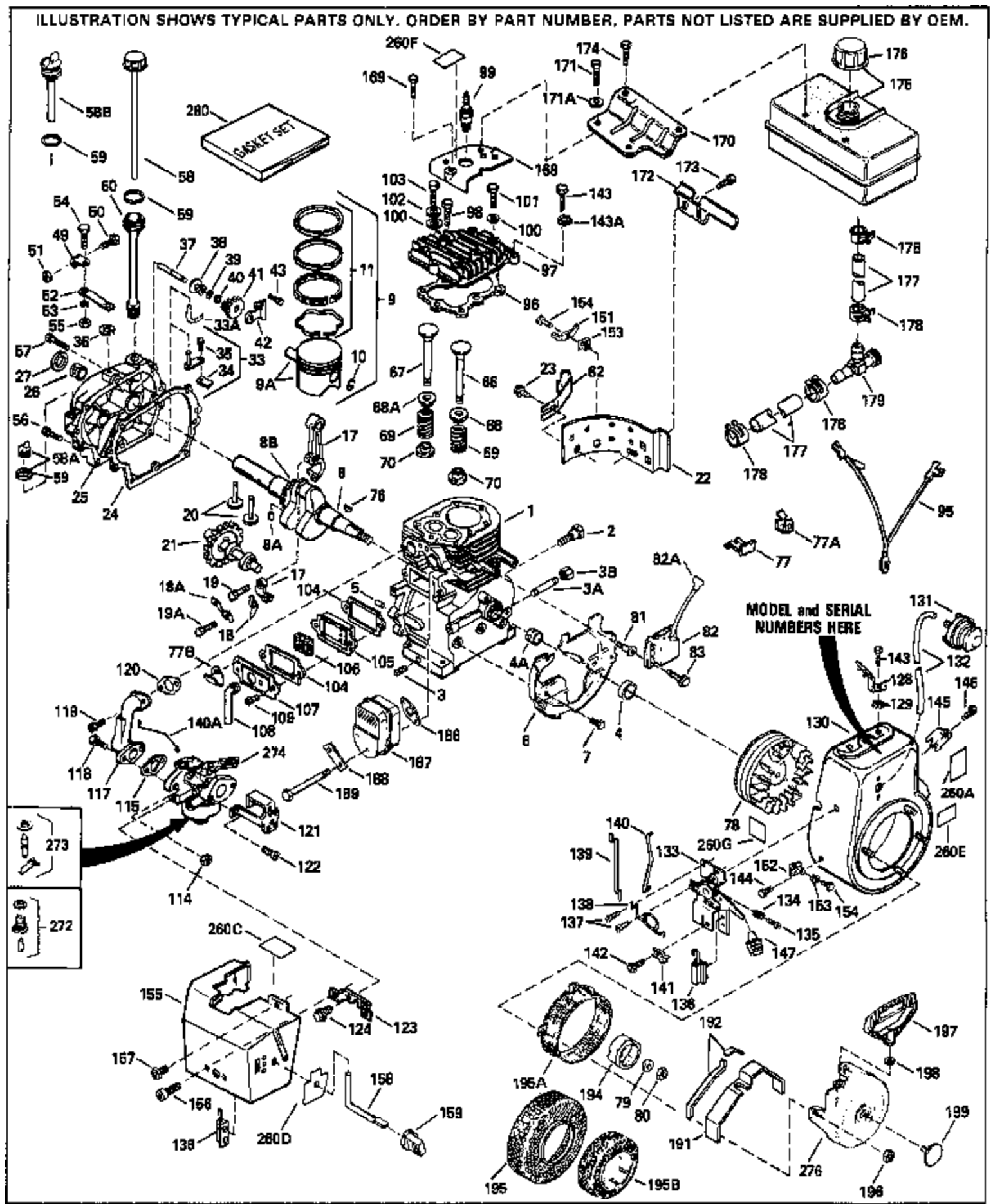


ILLUSTRATION SHOWS TYPICAL PARTS ONLY. ORDER BY PART NUMBER, PARTS NOT LISTED ARE SUPPLIED BY OEM.

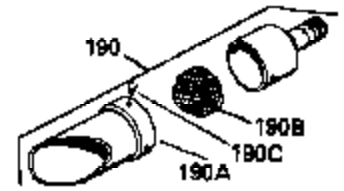
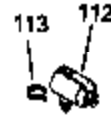
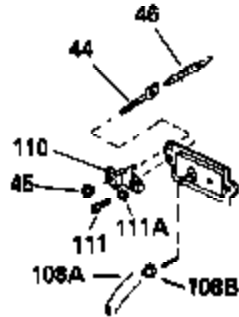
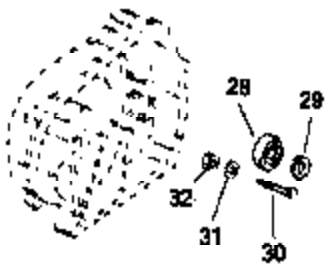


| Ref # | Part Number | Qty | Description |
|-------|-------------|-----|--|
| 1 | 35488 | | Cylinder (Incl. 3,4,4A,5)(3-1/8")(CI liner) |
| 3 | 27642 | | Plug, Pipe (1/4-18) |
| 4 | 35319 | | Seal, Oil |
| 4A | 35400 | | Bushing, Crankshaft |
| 5 | 27652 | | Pin, Dowel |
| 6 | 29536 | | Blower Housing Baffle (No knock-out for electric start) (Use as required) |
| 6 | 35256A | | Blower Housing Baffle (With knock-out for electricstart) (Use as required) |
| 6 | 35326 | | Baffle, Blower housing |
| 7 | 650561 | | Screw, 1/4-20 x 5/8" |
| 8B | 33245 | | Crankshaft Gear (Used on early production) |
| 8 | 35442B | | Crankshaft |
| 8A | 29783 | | Crankshaft Gear Pin (Used on early production) |
| 9 | 34552 | | Piston, Pin & Ring Set (Std.) (3-1/8") |
| 9 | 34553 | | Piston, Pin & Ring Set (.010" OS) |
| 9 | 34554 | | Piston, Pin & Ring Set (.020" OS) |
| 9A | 34329A | | Piston & Pin Ass'y. (Std.)(Incl.10)(3 -1/8") |
| 9A | 34330A | | Piston & Pin Ass'y. (.010" OS) (Incl. 10) |
| 9A | 34331A | | Piston & Pin Ass'y. (.020" OS) (Incl. 10) |
| 10 | 27888 | | Ring, Piston pin retaining |
| 11 | 34332 | | Ring Set (Std.) (3-1/8" Bore) |
| 11 | 34333 | | Ring Set (.010" OS) |
| 11 | 34334 | | Ring Set (.020" OS) |
| 17 | 35373A | | Rod Assy., Connecting (Incl. 18, 19 & 19A) |
| 18 | 35374 | | Dipper, Oil |
| 18A | 32590 | | Plate, Lock & Oil dipper (This plate may be replaced by No. 34242 oil dipper but No. 650662C screw must be used.) |
| 19 | 650908 | | Bolt, Connecting rod (1 pc.) |
| 19A | 650882 | | Bolt, Connecting rod (2 pcs. on early production;1 pc. on current production) |
| 20 | 34034 | | Lifter, Valve |
| 21 | 35375 | | Camshaft (MCR) |
| 22 | 33273A | | Extension, Blower housing |
| 23 | 650128 | | Screw, 10-24 x 1/2" |
| 24 | 35262 | | * Gasket, Cylinder cover |
| 25 | 35376 | | Cover, Cylinder (Incl. 26, 27, 37, 58 A & 59) |
| 26 | 35377 | | Bushing, Crankshaft |
| 27 | 35319 | | Seal, Oil |
| 33 | 30699C | | Rod Assy., Governor (Incl. 34 & 35) |
| 33A | 30699B | | Rod, Governor (This one piece governor rod is no longer used. It is replaced by No. 30699C assembly, Ref. No. 5A.) |
| 34 | 30700 | | Yoke, Governor |
| 35 | 650494 | | Screw, 6-40 x 5/16" |
| 36 | 29642 | | Ring, Retaining |
| 37 | 31845 | | Shaft, Mechanical governor |
| 38 | 30588A | | Spool, Governor |
| 39 | 30590A | | Washer, Flat |
| 40 | 29193 | | Ring, Retaining |
| 41 | 35378 | | Gear Assy., Governor (Incl. 39) |
| 42 | 33369 | | Bracket, Governor gear |
| 43 | 650836 | | Screw, 10-24 x 1/2" |
| 49 | 29916 | | Clamp, Governor lever |
| 50 | 29826 | | Screw, 10-32 x 3/4" |
| 51 | 29216 | | Locknut, 10-32 |

| Ref # | Part Number | Qty | Description |
|-------|-------------|-----|--|
| 52 | 33454 | | Lever Assy., Governor |
| 53 | 29918 | | Lockwasher, No. 8 E.T. |
| 54 | 650548 | | Screw, 8-32 x 5/16" |
| 55 | 30322 | | Locknut, 8-32 |
| 56 | 650832 | | Screw, 1/4-20 x 1-11/16" |
| 57 | 650833 | | Screw, 1/4-20 x 1-3/16" |
| 58 | 34974 | | Dipstick (Incl. 59) |
| 59 | 29673 | | * Gasket, Oil fill |
| 66 | 27878A | | Exhaust Valve (Std.) (Incl. 70) |
| 66 | 27880A | | Exhaust Valve (1/32" OS) (Incl. 70) |
| 67 | 34035 | | Intake Valve (Std.) (Incl. 70) |
| 67 | 34036 | | Intake Valve (1/32" OS) (Incl. 70) |
| 68A | 34689 | | Seal, Assy., Intake valve |
| 68 | 27882 | | Cap, Upper valve spring |
| 69 | 27881 | | Spring, Valve |
| 70 | 32581 | | Cap, Lower valve spring |
| 76 | 32589 | | Key, Flywheel |
| 77 | 29443 | | Clip, Fuel line |
| 77B | 35558 | | Retainer, Wire |
| 78 | 611090 | | Flywheel |
| 79 | 650880 | | Washer, Lock |
| 80 | 650881 | | Nut, Hex, 5/8-18 |
| 81 | 650872 | | Stud, Solid State mounting |
| 82 | 35135 | | Solid State Assy. |
| 82A | 610118 | | Cover, Spark plug (Use as required) |
| 83 | 650814 | | Screw, Torx T-15, 10-24 x 1" |
| 95 | 35557 | | Ground Wire |
| 96 | 34041A | | * Gasket, Cylinder head |
| 97 | 34030 | | Head, Cylinder |
| 98 | 650692 | | Screw, 5/16-18 x 1-3/4" (Use as required) |
| 98 | 6021A | | Screw, 5/16-18 x 1-1/2" (Use as required, but do not use No. 650691 washer.) |
| 98 | 650711 | | Screw, 5/16-18 x 1-5/8" (Use as required) (Can use No. 6021A but discard No. 650691 washer.) |
| 99 | 33636 | | Resistor Spark Plug (RJ-8C) |
| 100 | 650691 | | Washer (Use as req.) (Do not use w/60 21A) |
| 101 | 650727 | | Screw, 5/16-18 x 1-3/4" (Use as required) |
| 102 | 650690 | | Washer, Belleville |
| 103 | 650694A | | Screw, 5/16-18 x 2" |
| 104 | 27896A | | * Gasket, Breather |
| 105 | 28423 | | Body, Breather |
| 106 | 28424 | | Element, Breather |
| 107 | 28425 | | Cover, Breather |
| 109 | 650128 | | Screw, 10-24 x 1/2" |
| 114 | 29752 | | Nut, Whiz lock, 1/4-28 |
| 115 | 26756 | | Gasket, Carburetor |
| 117 | 34707 | | Pipe, Intake |
| 119 | 650378 | | Screw, Torx T-30, 5/16-18 x 1-1/8" |
| 120 | 27915A | | * Gasket, Intake |
| 130 | 34833A | | Blower Housing (For electric starter) |
| 133 | 34664 | | Control Bracket (Incl. 134, 135, 136 & 138) |
| 134 | 31342 | | Spring, Compression |
| 135 | 650549 | | Screw, 5-40 x 7/16" |
| 136 | 610973 | | Terminal Assy. (Use as required) |
| 137 | 650821 | | Screw, 10-32 x 1/2" |
| 138 | 34663 | | Spring, Speed control |
| 139 | 34667 | | Link, Governor |

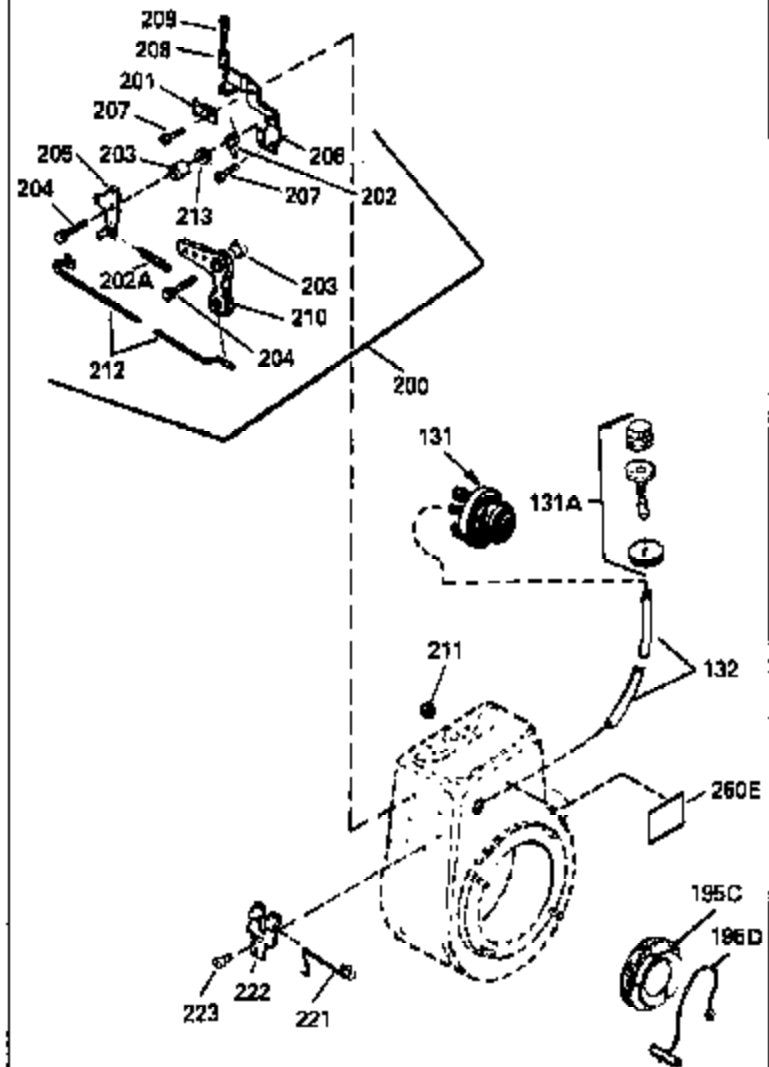
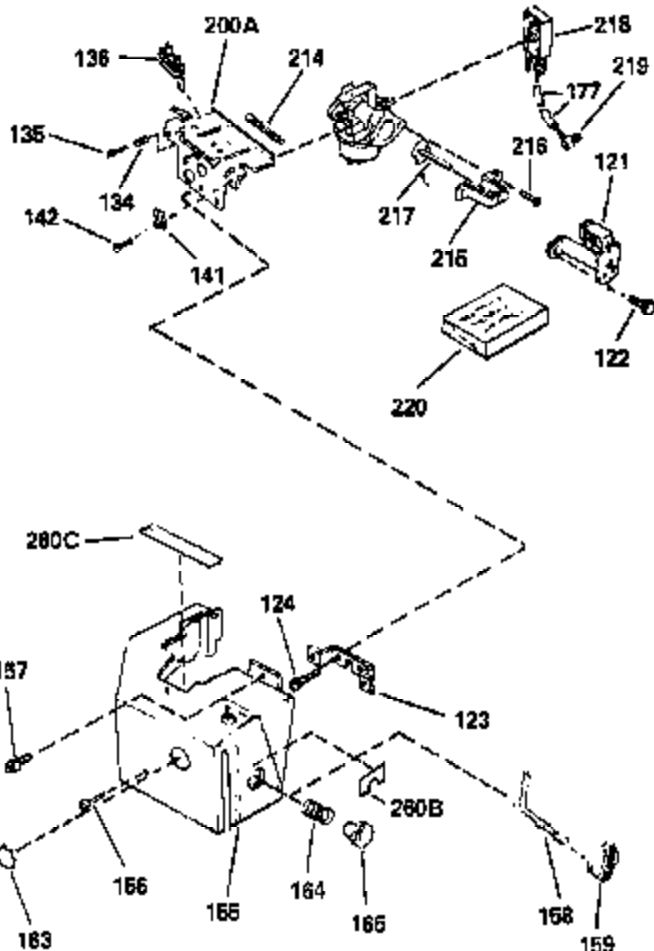
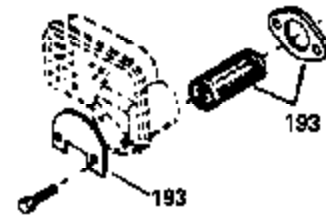
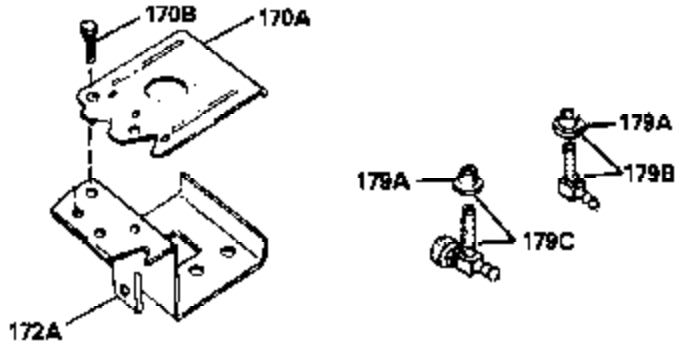
| Ref # | Part Number | Qty | Description |
|-------|-------------|-----|---|
| 141 | 27793 | | Clip, Conduit |
| 142 | 28942 | | Screw, 10-32 x 3/8" |
| 144 | 29747B | | Screw, 5/16-24 x 21/32" |
| 145 | 33013 | | Cover, Starter bubble |
| 146 | 650760 | | Screw, 8-32 x 3/8" |
| 153 | 28545 | | Grommet, Plastic |
| 154 | 650760 | | Screw, 8-32 x 3/8" |
| 158 | 34586 | | Rod, Choke |
| 168 | 33272A | | Cover, Cylinder head |
| 169 | 650737 | | Screw, 1/4-20 x 1/2" (Use as required) |
| 169 | 650738 | | Screw, 1/4-20 x 5/8" (Use as required) |
| 169 | 650713 | | Screw, 5/16-18 x 5/8" (Use as require d) |
| 169 | 650802 | | Screw, 1/4-20 x 5/8" (Use as required) |
| 170 | 34154 | | Plate, Upper fuel tank mounting |
| 171 | 650713 | | Screw, 5/16-18 x 5/8" (Use as require d) |
| 172 | 34155 | | Bracket Assy., Lower fuel tank mtg. |
| 173 | 650561 | | Screw, 1/4-20 x 5/8" |
| 174 | 650665 | | Screw, 1/4-15 x 7/8" |
| 175 | 34186A | | Fuel Tank (Incl. 176 & 178) NOTE: These tanks were built with different size fuel inlet openings. Tanks with the 1-3/16" I.D. opening use fuel cap 33032 or 34210. Tanks with the 1-1/2" I.D. opening use fuel cap 35355. |
| 176 | 33032 | | Fuel Cap (Red Plastic) (Spurt Resistant, Low Profile) (Use as required) |
| 176 | 410144B | | Fuel Cap (White Plastic) (Std) (Use a s req.) |
| 176 | 34210 | | Fuel Cap (Ref Plastic) (Spurt Resistant, High Profile) (Use as required) |
| 176 | 35355 | | Fuel Cap (Red Plastic) (Use as requir ed) |
| 177 | 29774 | | Fuel Line (Use as required) (8.25") (21 cm) |
| 177 | 30705 | | Fuel Line (Use as required) (16.0") (41 cm) |
| 177 | 30962 | | Fuel Line (32.0") (81 cm) |
| 178 | 26460 | | Clamp, Fuel line (Use as required) |
| 186 | 27930A | | * Gasket, Exhaust (Use as required) |
| 187 | 33280A | | Muffler |
| 188 | 31588 | | Plate, Muffler locking |
| 189 | 650729 | | Screw, 5/16-18 x 3-3/16" |
| 194 | 35287 | | Cup, Starter |
| 195A | 35446 | | Screen, Starter (Stationary) |
| 196 | 29752 | | Nut, Whiz lock, 1/4-28 |
| 199 | 35392 | | Plug, Starter |
| 260G | 35532 | | Decal, Name |
| 273 | 631021 | | Inlet Needle, Seat & Clip Assy. |
| 274 | 632464 | | Carburetor (Incl. 115) (Refer to Division 5, Section A, page 186 for breakdown) |
| 276 | 590633 | | Rewind Starter (Refer to Division 5, Section C, page 30 for breakdown) |
| 280 | 33279G | | * Gasket Set (Incl. items marked *) |

ILLUSTRATION SHOWS TYPICAL PARTS ONLY. ORDER BY PART NUMBER, PARTS NOT LISTED ARE SUPPLIED BY OEM.



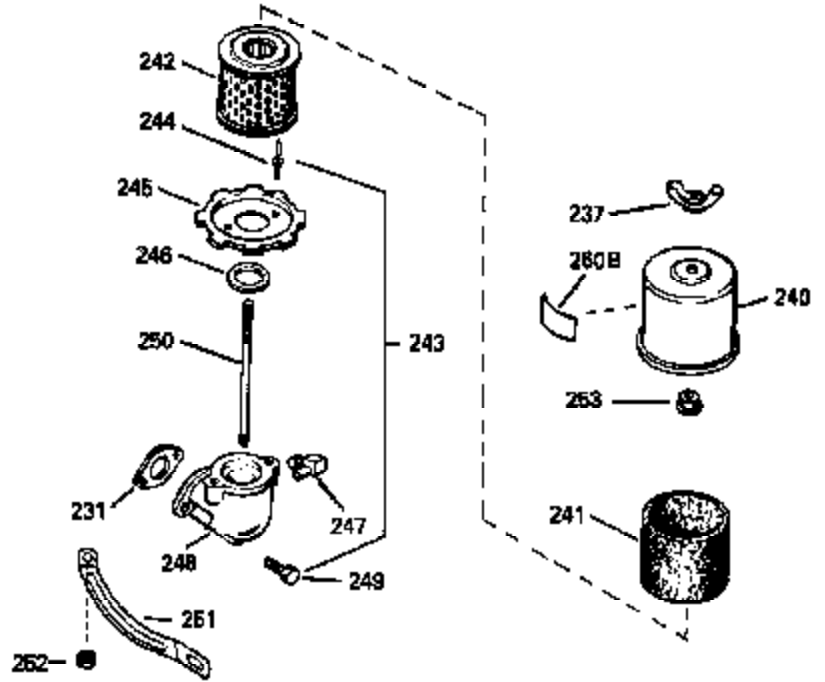
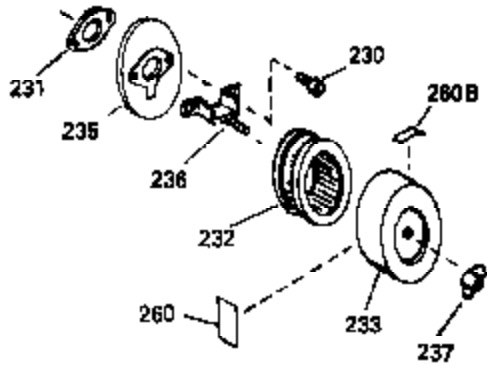
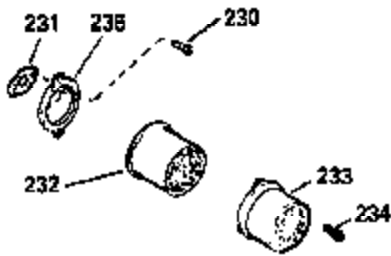
OPTIONAL
SPARK ARRESTOR MUFFLER

OPTIONAL SPARK ARRESTOR KIT

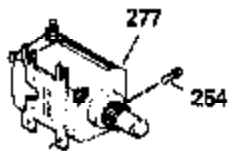
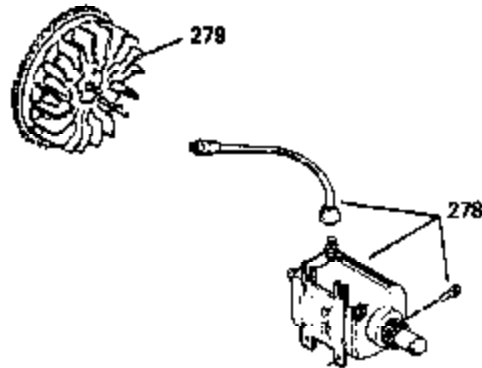


| Ref # | Part Number | Qty | Description |
|-------|-------------|-----|--|
| 108A | 34696 | | Tube, Breather |
| 108B | 32446 | | Grommet, Breather tube |
| 134 | 31342 | | Spring, Compression |
| 135 | 650549 | | Screw, 5-40 x 7/16" |
| 136 | 610973 | | Terminal Assy. (Use as required) |
| 141 | 27793 | | Clip, Conduit |
| 142 | 28942 | | Screw, 10-32 x 3/8" |
| 158 | 34586 | | Rod, Choke |
| 177 | 29774 | | Fuel Line (Use as required) (8.25") (21 cm) |
| 177 | 30705 | | Fuel Line (Use as required) (16.0") (41 cm) |
| 177 | 30962 | | Fuel Line (32.0") (81 cm) |
| 190B | 33323 | | Screen, Muffler (Use as required) |
| 190C | 650578 | | Screw, 8-18 x 3/8" (Use as required) |
| 190 | 391026 | | Muffler (Incl. 190A, 190B & 190C) (This spark arrestor muffler can be used on any model) |
| 190A | 33700 | | Cover & Tube, Muffler (Use as required) |
| 193 | 34479 | | Spark Arrestor Kit (Fits "L" shaped mufflers) |
| 260B | 34704 | | Decal, Air cleaner |

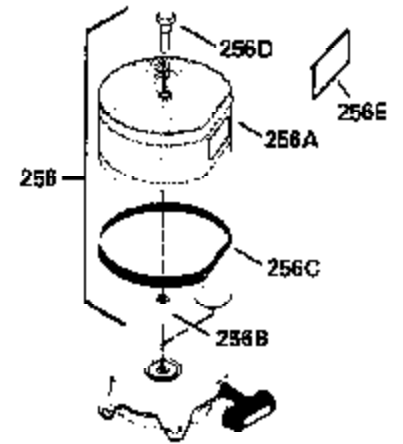
ILLUSTRATION SHOWS TYPICAL PARTS ONLY. ORDER BY PART NUMBER. PARTS NOT LISTED ARE SUPPLIED BY OEM.



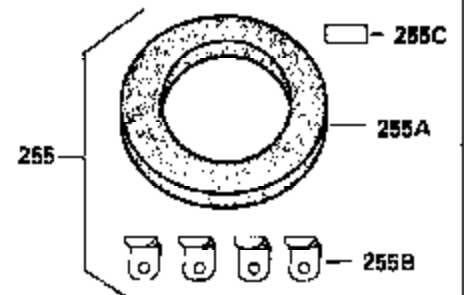
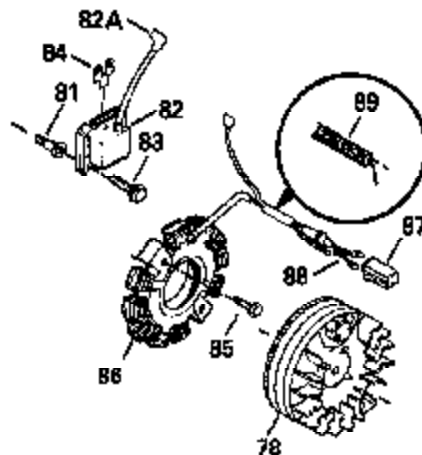
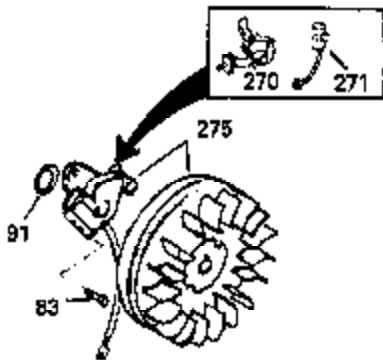
**OPTIONAL 110 - 120 VOLT
 STARTER MOTOR KIT**



DEBRIS SCREEN KIT



STARTER MUFF KIT



| Ref # | Part Number | Qty | Description |
|-------|-------------|-----|--|
| 78 | 611090 | | Flywheel |
| 81 | 650872 | | Stud, Solid State mounting |
| 82A | 610118 | | Cover, Spark plug (Use as required) |
| 82 | 35135 | | Solid State Assy. |
| 83 | 650814 | | Screw, Torx T-15, 10-24 x 1" |
| 231 | 27272A | | * Gasket, Air cleaner |
| 237 | 650513 | | Nut, Wing, 1/4-20 |
| 243 | 35044 | | Air Cleaner Elbow Assy.(Incl.244,245, 246,250) |
| 244 | | | Pop Rivet (1/8" dia.) (Can be bought locally) |
| 245 | 34699 | | Bracket, Air cleaner |
| 246 | 34698A | | * Gasket, Air cleaner elbow |
| 247 | 30675 | | Fitting, Breather tube |
| 248 | 34697 | | Elbow, Air cleaner |
| 249 | 650163 | | Screw, 10-32 x 7/8" |
| 250 | 650851 | | Stud, 1/4-20 x 8.1 |
| 251 | 35045 | | Bracket, Air cleaner |
| 252 | 650852 | | Nut, 1/4-20 |
| 253 | 650825 | | Nut & Lockwasher, 1/4-20 |
| 255A | 34687 | | Air Cleaner, Starter Can be used on HM70 with diecast starter |
| 255B | 34869 | | Bracket, Starter air cleaner Can be used on HM70 with diecast starter |
| 255C | 34870 | | Instruction Decal Can be used on HM70 with diecast starter. |
| 255 | 730572 | | Starter Muff Kit (Incl. 255A, 255B, & 255C) Can be used on HM70 with diecast starter |
| 256E | 34387 | | Instruction Decal Can be used on HM70 with stamped steel recoil starter. |
| 256D | 650907 | | Screw, 5/16-18 x 1-5/8" Can be used on HM70 with stamped steel recoil starter |
| 256 | 730573 | | Debris Screen Kit (Incl. 256A thru 256E) Can be used on HM70 with stamped steel recoil starter |
| 256C | 35570 | | Seal, Screen Can be used on HM70 with stamped steel recoil starter |
| 256B | 35569 | | Spacer, Screen Can be used on HM70 with stamped steel recoil starter |
| 256A | 35568 | | Debris Screen Can be used on HM70 with stamped steel recoil starter |
| 260B | 34704 | | Decal, Air cleaner |
| 278 | 33329D | | Starter Motor Kit (110-120 Volt) This 110-120 volt starter motor kit may have been added to this engine. It can be added only if cylinder has drilled and tapped starter mounting bosses and a ring gear flywheel has been added (see #279). Refer to service number stamped on end cap of motor, or decal for |
| 279 | 610847 | | Flywheel (Ring gear flywheel required on engine using 110-120 Volt starter motor kits listed above.) (Use on Std. point ignition) |
| 279 | 611091 | | Flywheel (Minimum ring gear flywheel required on engine using 110-120 Volt starter motor kits listed above.) (Use on Solid State ignition) |