

ILLUSTRATION SHOWS TYPICAL PARTS ONLY. ORDER BY PART NUMBER. PARTS NOT LISTED ARE SUPPLIED BY OEM.



| Ref # | Part Number | Qty | Description |
|-------|-------------|-----|--|
| 1 | 33674B | | Cylinder (Incl. 2, 3 & 4) (2-13/16" B ore) |
| 2 | 26727 | | Pin, Dowel |
| 3 | 27642 | | Oil Drain Plug |
| 4 | 32600 | | Seal, Oil |
| 5 | 32644A | | Intake Valve (Std.) (Incl. 9) |
| 5 | 32645A | | Intake Valve (1/32" OS) (Incl. 9) |
| 6 | 29313C | | Exhaust Valve (Std.) (Incl. 9) |
| 6 | 29315C | | Exhaust Valve (1/32" OS) (Incl. 9) |
| 8 | 31672 | | Spring, Valve |
| 9 | 31673 | | Cap, Lower valve spring |
| 10 | 610961 | | Key Flywheel |
| 10 | 610951 | | Key, Flywheel |
| 11 | 34728 | | Crankshaft (Incl. 24) |
| 13 | 33876 | | Gasket, Stator |
| 14 | 34535 | | Piston, Pin & Ring Set (Std.) (2-13/16" Bore) |
| 14 | 34536 | | Piston, Pin & Ring Set (.010" OS) |
| 14 | 34537 | | Piston, Pin & Ring Set (.020" OS) |
| 14A | 33562B | | Piston & Pin Ass'y.(Std.)(Incl.16)(2- 13/16") |
| 14A | 33563B | | Piston & Pin Ass'y. (.010" OS) (Incl. 16) |
| 14A | 33564B | | Piston & Pin Ass'y. (.020" OS) (Incl. 16) |
| 15 | 33567 | | Ring Set (Std.) (2-13/16" Bore) |
| 15 | 33568 | | Ring Set (.010" OS) |
| 15 | 33569 | | Ring Set (.020" OS) |
| 16 | 20381 | | Ring, Piston pin retaining |
| 17 | 32875 | | Rod Assy., Connecting (Incl. 18 & 20) |
| 18 | 32610A | | Bolt, Connecting Rod |
| 20 | 32654 | | Dipper, Oil |
| 21 | 27241 | | Lifter, Valve |
| 22 | 33158 | | Camshaft |
| 23 | 30756B | | Cover, Cylinder (Incl. 24, 30, 31 & 1 06) |
| 24 | 28540 | | Seal, Oil |
| 28 | 27677A | | * Gasket, Cylinder cover |
| 29 | 650451 | | Screw, 1/4-20 x 1" (Use as required) |
| 29 | 650488 | | Screw, 1/4-20 x 1-1/4" (Use as required) |
| 30 | 27625 | | Plug, Oil filler (Incl. 31) |
| 31 | 29673 | | * Gasket, Oil fill plug |
| 32 | 33554A | | Gasket, Cylinder head |
| 33 | 33016A | | Head, Cylinder (Incl. 35) |
| 34 | 26073 | | Washer (Not used on late production) |
| 34 | 650691 | | Washer (Use as required) |
| 35 | 650694A | | Screw, 5/16-18 x 2" (Use as required) |
| 35 | 650818 | | Screw, 5/16-18 x 1-1/2" (Use as required) |
| 35 | 650865 | | Screw, 5/16-18 x 2" (Use as required) |
| 36 | 6021A | | Screw, 5/16-18 x 1-1/2" (As req;not w /650691) |
| 37 | 33636 | | Resistor Spark Plug (RJ-8C) |
| 38 | 31619A | | * Gasket, Breather |
| 39A | 31337A | | Breather Ass'y. (Incl. 38 & 40) |
| 40 | 31410 | | Element, Breather |
| 45 | 650128 | | Screw, 10-24 x 1/2" |
| 46 | 33673A | | * Gasket, Intake (1/32" thick) |
| 47 | 33666 | | Pipe, Intake |
| 48 | 30646 | | Screw, 1/4-20 x 1-3/8" |
| 59 | 32698 | | Link, Governor-to-throttle |
| 60 | 31510 | | Lever, Governor |
| 63A | 31334 | | Rod, Governor (Incl. 67) |
| 64 | 33342 | | Baffle, Blower housing |
| 65 | 650561 | | Screw, 1/4-20 x 5/8" |
| 66 | 29752 | | Nut & Lockwasher Assy., 1/4-28 (As required) |

| Ref # | Part Number | Qty | Description |
|-------|-------------|-----|--|
| 66 | | | Pop Rivet (Purchase locally)(Use as r equired) |
| 67 | 28277 | | Washer, Flat |
| 68 | 650168 | | Washer, Flat |
| 69 | 29212 | | Screw, 1/4-28 x 7/16" |
| 70 | 33663C | | Blower Housing (For electric starter) NOTE: In original production some starters are riveted to the blower housing. Replacement housing has threaded studs. Order four nuts (29752) for remounting of starter. |
| 74A | 30747 | | Clip, Spark plug shorting |
| 75 | 650890 | | Lockwasher |
| 76 | 27272A | | * Gasket, Air cleaner |
| 77 | 34212 | | Bracket, Holddown |
| 78 | 30200 | | Screw, 10-24 x 9/16" |
| 81 | 29752 | | Nut & Lockwasher Assy., 1/4-28 |
| 82 | 33341 | | Extension, Baffle |
| 83 | 650701 | | Screw, 8-18 x 7/16" |
| 84 | 6201 | | Screw, 1/4-28 x 7/8" |
| 85 | 650870 | | Screw, 1/4-28 x 1-11/16" |
| 86 | 28212 | | Spacer |
| 87 | 26756 | | * Gasket, Carburetor |
| 90 | 31715 | | Body, Air cleaner |
| 92 | 650152 | | Screw, 8-32 x 3/8" |
| 93 | 31691 | | Bracket, Air cleaner |
| 94 | 28820 | | Screw, 10-32 x 1/2" |
| 95 | 33344 | | Baffle, Heat |
| 98 | 35349 | | Ground Wire |
| 100 | 730127 | | Air Cleaner Ass'y. (Incl.76,76A,90A,91A,92,93,94, & 221A)(Use as required) |
| 102 | 28458 | | Bearing, Ball |
| 105 | 30590A | | Washer, Flat |
| 106 | 30574 | | Shaft, Mechanical governor |
| 107 | 30591 | | Gear Assy.,Governor (Incl. 105) |
| 108 | 30588A | | Spool Governor |
| 109 | 29193 | | Ring, Retaining |
| 111 | 28371B | | Fuel Tank Bracket |
| 113 | 650561 | | Screw, 1/4-20 x 5/8" |
| 114 | 37866 | | Fuel Tank (Incl. 115 & 123) |
| 115 | 410144B | | Fuel Cap (Std.)(Wh.Plastic)(1-1/2" I. D.) |
| 115 | 33032 | | Fuel Cap (Red Plastic)(1-3/16" I.D.) (Spurt resistant, Low profile) |
| 115 | 34210 | | Fuel Cap (Red Plastic)(1-3/16" I.D.) (Spurt resistant, High profile) |
| 116 | 650665 | | Screw, 1/4-15 x 7/8" |
| 118 | 29774 | | Line, Fuel (Braided 8.25") |
| 118 | 30795 | | Line, Fuel (Braided 16") |
| 118 | 30962 | | Line, Fuel (Braided 32") |
| 119 | 28819 | | Spring, Fuel line (Use as required) |
| 121 | 29745 | | Extension, Blower housing |
| 122 | 650128 | | Screw, 10-24 x 1/2" |
| 123 | 26460 | | Clamp, Fuel line (Use as required) |
| 129 | 650489 | | Screw, 1/4-20 x 5/8" |
| 130 | 27276 | | Cover, Spark plug |
| 139 | 33670A | | * Gasket, Muffler |
| 140 | 650561 | | Screw, 1/4-20 x 5/8" |
| 140 | 30063 | | Screw, 1/4-20 x 1/2" (Use as required) |
| 140C | 650628A | | 5/16-18 x 2-3/8" |

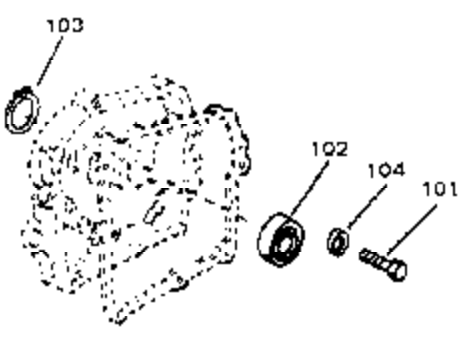
| Ref # | Part Number | Qty | Description |
|-------|-------------|-----|---|
| 140D | 26073 | | Washer, flat |
| 181 | 33356 | | Terminal, Ground |
| 182 | 28545 | | Grommet, Plastic |
| 183 | 650760 | | Screw, 8-32 x 3/8" |
| 197 | 650548 | | Screw, 8-32 x 5/16" |
| 201 | 610973 | | Terminal Assy. (Use as required) |
| 202 | 33857 | | Spring Assy. (Used in late production) |
| 202A | 32923 | | Spring, Torsion (Used in early production) |
| 203 | 730136A | | Control Brkt (Incl.202,202A,204,205,206,207) |
| 204 | 650139 | | Screw, 8-32 x 1/2" (Use as required) |
| 204 | 650152 | | Screw, 8-32 x 3/8" (Use as required) |
| 204 | 30200 | | Screw, 10-24 9/16" (Use as required) |
| 205 | 30322 | | Nut & Lockwasher (Use as required) |
| 206 | 650688 | | Screw, 10-32 x 1" (Used on early production) |
| 206 | 650549 | | Screw, 5-40 x 7/16" (Used on late production) |
| 207 | 32924 | | Compression Spring (Used on early production) |
| 207 | 31342 | | Compression Spring (Used on late production) |
| 209 | 28942 | | Screw, 10-32 x 3/8" |
| 210 | 27793 | | Clip, Conduit |
| 211 | 31426 | | Spring, Extension |
| 213 | 650815 | | Washer, Belleville |
| 214 | 650816 | | Nut, Flywheel |
| 217 | 33668 | | Screen, Starter |
| 218 | 34694 | | Cup, Starter |
| 221 | 34080 | | Spacer, Flywheel key |
| 222 | 650872 | | Stud, Solid State Assy. |
| 240 | 34346 | | Decal, Instruction |
| 240B | 31752 | | Decal, Air cleaner |
| 240A | 550223 | | Decal, Name |
| 243 | 631021 | | Inlet Needle, Seat & Clip Assy. |
| 244 | 631702 | | Carburetor (Incl. 87) (Refer to Division 5, Section A, page 114 for breakdown) |
| 245 | 611025 | | Magneto NOTE: The complete magneto is not available as an assembly. The magneto number is shown for reference purposes only. Order component parts individually, as shown in partslist. (Refer to Division 5, Section B, page 39 for breakdown) |
| 246 | 590420A | | Rewind Starter NOTE: In original production some starters are riveted to the blowerhousing. Replacement housing has threaded studs. Order four nuts (29752) for remounting of starter. (Refer to Division 5, Section C, page 25 for breakdown) |
| 249 | 33683B | | * Gasket Set (Incl. items marked *) |

ILLUSTRATION SHOWS TYPICAL PARTS ONLY, ORDER BY PART NUMBER. PARTS NOT LISTED ARE SUPPLIED BY OEM.

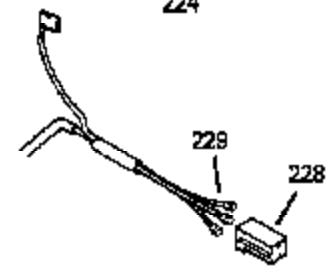


| Ref # | Part Number | Qty | Description |
|-------|-------------|-----|---|
| | 13 33876 | | Gasket, Stator |
| | 90 31715 | | Body, Air cleaner |
| | 91 30727 | | Element, Air cleaner |
| | 94 28820 | | Screw, 10-32 x 1/2" |
| 100A | 730164 | | Air Cleaner Ass'y. (Incl. 76, 90, 91, 92, 93, 94, & 221B) (Use as required) |
| | 111 28371B | | Fuel Tank Bracket |
| 112B | 34182 | | Fuel Tank Bracket |
| 139 | 33670A | | * Gasket, Muffler |
| 140 | 650561 | | Screw, 1/4-20 x 5/8" |
| 140 | 30063 | | Screw, 1/4-20 x 1/2" (Use as required) |
| 141A | 33699 | | Muffler (Spark Arresting)(In.143,144, 145) |
| 141D | 391026 | | Muffler (Incl. 143, 144 & 145) (This spark arrester muffler can be used on any model.) |
| 143 | 33323 | | Screen, Muffler |
| 144 | 33700 | | Cover & Tube, Muffler |
| 145 | 650578 | | Screw, 8-18 x 3/8" |
| 157 | 730165 | | Muff.Adapter Kit (Incl.139,140)(As required) |
| 201 | 610973 | | Terminal Assy. (Use as required) |
| 245 | 611025 | | Magneto NOTE: The complete magneto is not available as an assembly. The magneto number is shown for reference purposes only. Order component parts individually, as shown in partslist. (Refer to Division 5, Section B, page 39 for breakdown) |

ILLUSTRATION SHOWS TYPICAL PARTS ONLY. ORDER BY PART NUMBER. PARTS NOT LISTED ARE SUPPLIED BY OEM.



OPTIONAL 110-120
 VOLT STARTER
 MOTOR KIT
 (SEE NOTE 2 AT END OF THE SECTION)



| Ref # | Part Number | Qty | Description |
|-------|-------------|-----|---|
| 13 | 33876 | | Gasket, Stator |
| 34 | 26073 | | Washer (Not used on late production) |
| 34 | 650691 | | Washer (Use as required) |
| 38 | 31619A | | * Gasket, Breather |
| 40 | 31410 | | Element, Breather |
| 45 | 650128 | | Screw, 10-24 x 1/2" |
| 101 | 30200 | | Screw, 10-24 x 9/16" |
| 102 | 28458 | | Bearing, Ball |
| 103 | 28539 | | Ring, Retaining |
| 104 | 28537 | | Washer, Flat |
| 191 | 29918 | | Washer, Lock, #8 |
| 192 | 30322 | | Nut & Lockwasher, 8-32 |
| 193 | 29826 | | Screw, 10-32 x 3/4" |
| 194 | 29216 | | Nut, Square, 10-32 |
| 195 | 29642 | | Ring, Retaining |
| 196 | 29916 | | Clamp, Governor lever |
| 197 | 650548 | | Screw, 8-32 x 5/16" |
| 219 | 34788 | | Pulley, Starter rope |
| 225 | 35189 | | Spacer, Coil Assy. |
| 241 | 30547A | | Contact Assy., Breaker |
| 242 | 30548B | | Condenser |
| 245 | 611025 | | Magneto NOTE: The complete magneto is not available as an assembly. The magneto number is shown for reference purposes only. Order component parts individually, as shown in partslist. (Refer to Division 5, Section B, page 39 for breakdown) |
| 247 | 33290D | | Starter Motor Kit (110-120 Volt) This 110-120 volt starter motor kit may have been added to this engine. It can be added only if cylinder has drilled and tapped starter mounting bosses and a ring gear flywheel. Refer to service number stamped on end cap of motor, or on decal, for identification. Ref |