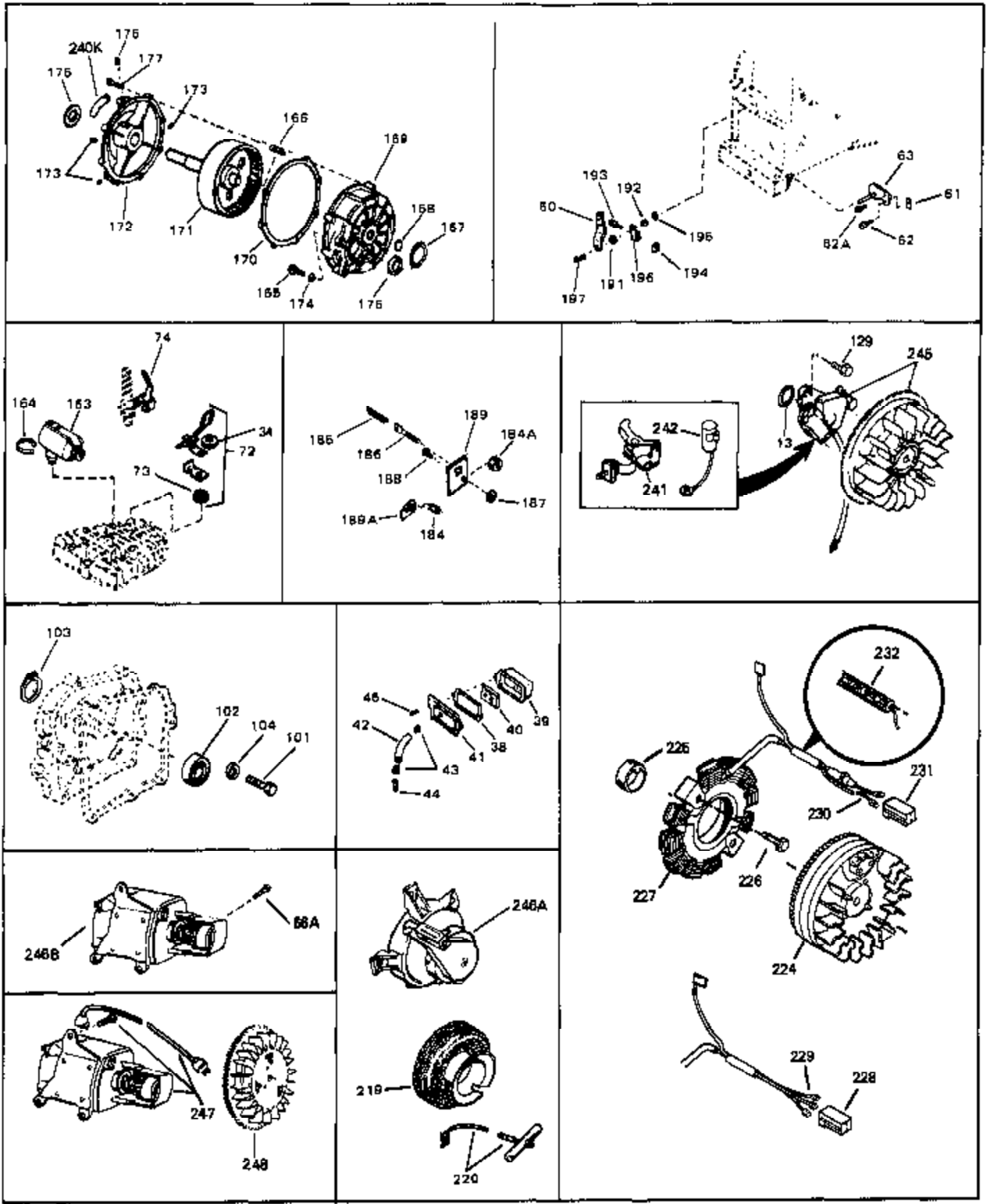


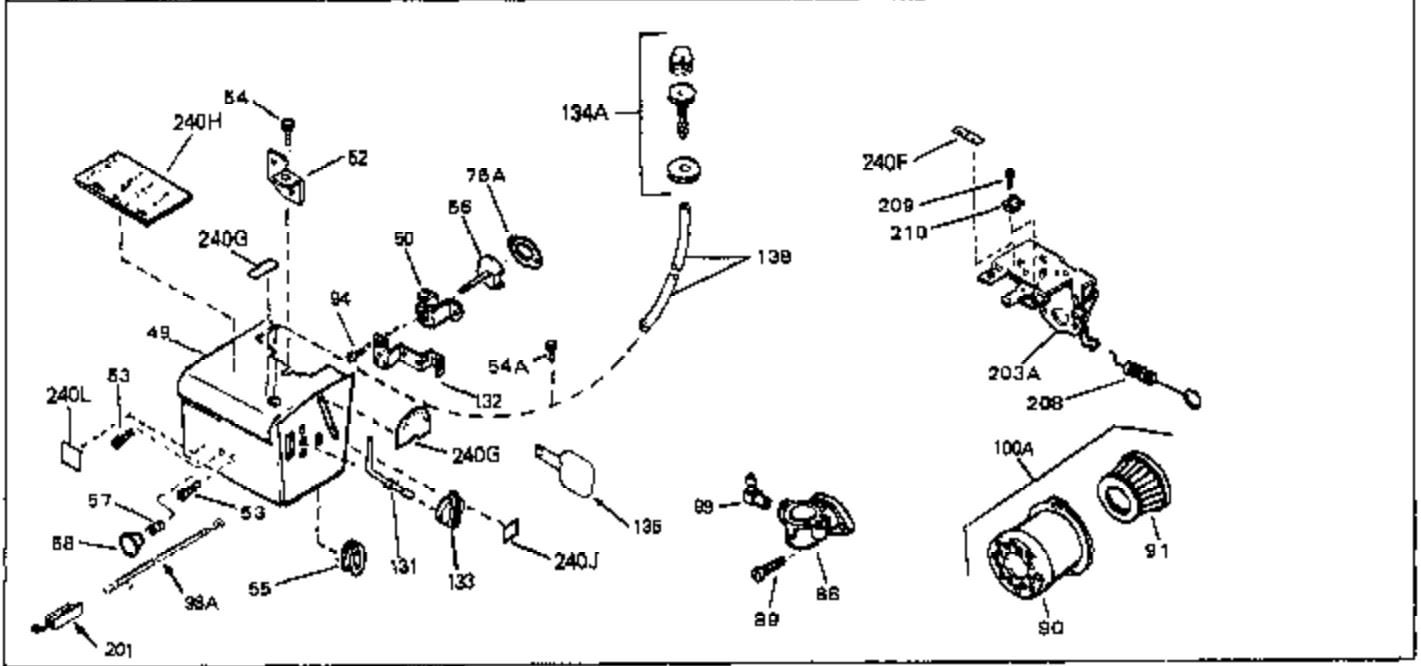
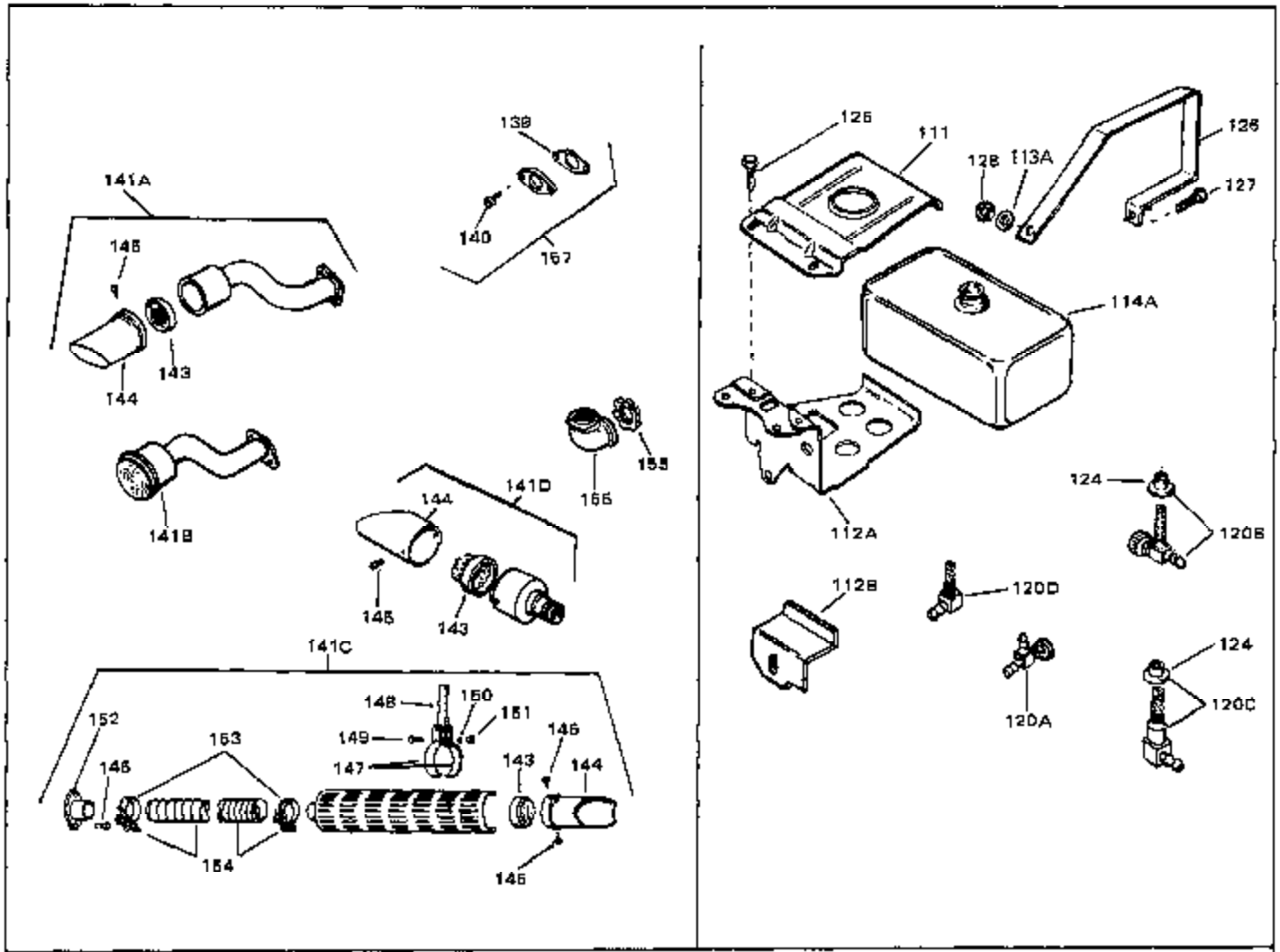
| Ref # | Part Number | Qty | Description |
|-------|-------------|-----|--|
| | 1 33674 | 0 | Cylinder Assy. (2-13/16" Bore) |
| | 2 26727 | 0 | Pin, Dowel |
| | 3 27642 | 0 | Plug, Drain |
| | 4 32600 | 0 | Seal, Oil |
| | 5 32644A | 0 | Valve, Intake (Standard) |
| | 5 32645A | 0 | Valve, Intake (1/32" oversize) |
| | 6 29313C | 0 | Valve, Exhaust (Standard) (Conventional) |
| | 6 29315C | 0 | Valve, Exhaust (1/32" oversize) |
| | 8 31672 | 0 | Spring, Valve |
| | 9 31673 | 0 | Cap, Lower valve spring |
| | 10 610951 | 0 | Key, Flywheel |
| | 11 33677A | 0 | Crankshaft |
| | 12 32323 | 0 | Washer, Thrust (.010" thick) |
| | 14 34535 | 0 | Piston, Pin & Ring Assy. (Std.) (2-13/16") |
| | 14 34536 | 0 | Piston, Pin & Ring Assy. (.010 oversize) |
| | 14 34537 | 0 | Piston, Pin & Ring Assy. (.020 oversize) |
| | 14A 33562B | 0 | Piston & Pin Assy. (Std.) (2-13/16") |
| | 14A 33563B | 0 | Piston & Pin Assy. (.010 oversize) |
| | 14A 33564B | 0 | Piston & Pin Assy. (.020 oversize) |
| | 15 33567 | 0 | Ring Set, Piston (Standard) (2-13/16") |
| | 15 33568 | 0 | Ring Set, Piston (.010 oversize) |
| | 15 33569 | 0 | Ring Set, Piston (.020 oversize) |
| | 16 20381 | 0 | Ring, Piston pin retaining |
| | 17 32875 | 0 | Rod Assy., Connecting |
| | 18 32610A | 0 | Bolt, Connecting rod |
| | 20 32654 | 0 | Dipper, Oil |
| | 21 27241 | 0 | Lifter, Valve |
| | 22 33696 | 0 | Camshaft (Compression Release) (Ext.) |
| | 23 32766A | 0 | Cover, Cylinder |
| | 24 27897 | 0 | Seal, Oil |
| | 24A 30318 | 0 | Seal, Oil (Camshaft) |
| | 28 27677 | 0 | Gasket, Cylinder cover |
| | 29 650451 | 0 | Screw |
| | 29 650488 | 0 | Screw |
| | 30 27625 | 0 | Plug, Oil filler |
| | 31 29673 | 0 | Gasket, Filler plug |
| | 32 33554 | 0 | Gasket, Cylinder head |
| | 33 33016 | 0 | Head, Cylinder |
| | 34 26073 | 0 | Washer, Connecting rod bolt |
| | 34 650691 | 0 | Washer, Flat |
| | 35 650694A | 0 | Screw, Hex flange hd., 5/16-18 x 2 |
| | 35 650818 | 0 | Screw, Special hex hd., 5/16-18 x 1-1/2 |
| | 35 650865 | 0 | Screw, Special Hex hd. tapped, 5/16-18 x 2 |
| | 36 6021A | 0 | Screw, Hex flange hd., 5/16-18 x 1-1/2 |
| | 37 33636 | 0 | Plug, Spark (Champion J-8 or equivalent) |
| | 38 31619 | 0 | Gasket, Breather cover |
| | 39A 31337 | 0 | Breather Assy. |
| | 40 31410 | 0 | Element, Breather |
| | 45 650128 | 0 | Screw |
| | 46 33673 | 0 | Gasket, intake (1/32" thick) |
| | 47 33666 | 0 | Pipe, Intake |
| | 48 30646 | 0 | Screw, Phil. fil. hd. Sems, 1/4-20 x 1-3/8 |
| | 59 32698 | 0 | Link, Throttle |
| | 60 31510 | 0 | Lever, Governor |
| | 63A 31334 | 0 | Rod, Governor |
| | 64 33342 | 0 | Baffle, Blower housing |
| | 65 650561 | 0 | Screw |
| | 66 0 | 0 | Rivet, Pop |

| Ref # | Part Number | Qty | Description |
|-------|-------------|-----|--|
| 66 | 29752 | 0 | Nut |
| 67 | 28277 | 0 | Washer, Flat |
| 68 | 650168 | 0 | Washer, Flat |
| 69 | 29212 | 0 | Screw |
| 70 | 33663C | 0 | Housing, Blower (5.56 dia. starter mtg. bolt |
| 74A | 30747 | 0 | Clip, Shorting |
| 75 | 650890 | 0 | Lockwasher, Shakeproof 5/16 |
| 76 | 27272 | 0 | Gasket, Air cleaner |
| 81 | 29752 | 0 | Nut |
| 82 | 33341 | 0 | Extension, Baffle |
| 83 | 650701 | 0 | Screw, Hex washer hd. shakeproof, |
| 84 | 6201 | 0 | Screw |
| 85 | 650601 | 0 | Screw, Fil. hd., 1/4-28 x 2 |
| 86 | 28212 | 0 | Spacer |
| 87 | 26756 | 0 | Gasket, Carburetor |
| 90 | 31715 | 0 | Body, Air cleaner |
| 92 | 650152 | 0 | Screw |
| 93 | 31914 | 0 | Bracket, Air cleaner |
| 94 | 28820 | 0 | Screw |
| 98 | 610609 | 0 | Wire, Ground (One female fitting & one eye) |
| 100 | 730127 | 0 | Cleaner Assy., Air (Poly) |
| 105 | 30590A | 0 | Washer, Flat |
| 106 | 30574 | 0 | Shaft, Mechanical governor |
| 107 | 30591 | 0 | Gear Assy., Governor |
| 108 | 30588A | 0 | Spool, Governor |
| 109 | 29193 | 0 | Ring, Retaining |
| 111A | 34004 | 0 | Bracket, Fuel tank upper |
| 113 | 650561 | 0 | Screw |
| 115 | 33032 | 0 | Cap, Fuel filler (Red Plastic) (Spurt |
| 115 | 34210 | 0 | Cap, Fuel filler (Red Plastic) (Spurt |
| 115 | 410144B | 0 | Cap, Fuel filler (White Plastic) (Std.) |
| 118 | 29774 | 0 | Line, Fuel (Braided 8.25") |
| 118 | 30705 | 0 | Line, Fuel (Braided 16") |
| 118 | 30962 | 0 | Line, Fuel (Braided 32") |
| 119 | 28819 | 0 | Spring, Fuel line |
| 121 | 29745 | 0 | Extension, Blower housing |
| 122 | 650128 | 0 | Screw |
| 123 | 26460 | 0 | Clamp, Fuel line |
| 129 | 650489 | 0 | Screw |
| 130 | 610118 | 0 | Cover, Spark plug |
| 139 | 33670 | 0 | Gasket, Muffler |
| 140 | 30063 | 0 | Screw |
| 140 | 792020 | 0 | Screw, Hex Hd. 1/4-20 x 2-1/4 |
| 141 | 33697A | 0 | Muffler (Front Discharge) |
| 161 | 29443 | 0 | Clip, Fuel line |
| 196A | 31335 | 0 | Clamp, Governor lever |
| 197 | 650548 | 0 | Screw, Hex washer hd., 8-32 x 5/16 |
| 201 | 610973 | 0 | Terminal Assy. |
| 203 | 33879A | 0 | Bracket Assy., Speed control |
| 204 | 30200 | 0 | Screw |
| 204 | 650139 | 0 | Screw |
| 204 | 650152 | 0 | Screw |
| 205 | 30322 | 0 | Nut & Lockwasher |
| 206 | 650549 | 0 | Screw |
| 206 | 650688 | 0 | Screw, Hex hd., 10-32 x 1-5/16" (Drilled |
| 207 | 31342 | 0 | Spring, Compression |
| 207 | 32924 | 0 | Spring, Compression |
| 209 | 28942 | 0 | Screw |

| Ref # | Part Number | Qty | Description |
|-------|-------------|-----|---------------------------------|
| 210 | 27793 | 0 | Clip, Conduit |
| 211 | 31426 | 0 | Spring, Extension |
| 213 | 650815 | 0 | Washer, Belleville |
| 214 | 650607 | 0 | Nut, Flywheel |
| 217 | 33668 | 0 | Screen, Starter |
| 218 | 33667 | 0 | Cup, Starter |
| 240 | 34346 | 0 | Decal, Instruction |
| 240B | 31752 | 0 | Decal, Air cleaner |
| 243 | 631021 | 0 | Inlet Needle, Seat & Clip Assy. |
| 244 | 631701 | 0 | Carburetor |
| 246 | 590420 | 0 | Starter, Rewind |
| 249 | 33683 | 0 | Gasket Set |



| Ref # | Part Number | Qty | Description |
|-------|-------------|-----|------------------------------------|
| 13 | 33876 | 0 | Gasket, Stator |
| 34 | 26073 | 0 | Washer, Connecting rod bolt |
| 34 | 650691 | 0 | Washer, Flat |
| 38 | 31619 | 0 | Gasket, Breather cover |
| 40 | 31410 | 0 | Element, Breather |
| 45 | 650128 | 0 | Screw |
| 60 | 31510 | 0 | Lever, Governor |
| 129 | 650489 | 0 | Screw |
| 197 | 650548 | 0 | Screw, Hex washer hd., 8-32 x 5/16 |
| 241 | 30547A | 0 | Contact Assy., Breaker |
| 242 | 30548B | 0 | Condenser |
| 245 | 610862 | 0 | Magneto, Tecumseh |
| 247 | 33290C | 0 | Starter Motor Kit (110-120 Volt) |
| 248 | 33701B | 0 | Flywheel |
| 248 | 611083 | 0 | Flywheel |



| Ref # | Part Number | Qty | Description |
|-------|-------------|-----|---|
| 90 | 31715 | 0 | Body, Air cleaner |
| 91 | 30727 | 0 | Element, Air cleaner |
| 94 | 28820 | 0 | Screw |
| 100A | 730164 | 0 | Cleaner Assy., Air (Paper) |
| 112A | 34003 | 0 | Bracket, Fuel tank lower |
| 114A | 33350 | 0 | Tank Assy., Fuel (Charcoal Poly) (1 gal.) |
| 120C | 33395 | 0 | Fitting, Fuel line |
| 124 | 33679 | 0 | Bushing, Fuel fitting |
| 125 | 30688 | 0 | Screw, Hex hd. Sems, 1/4-20 x 1/2 |
| 139 | 33670 | 0 | Gasket, Muffler |
| 140 | 30063 | 0 | Screw |
| 140 | 792020 | 0 | Screw, Hex Hd. 1/4-20 x 2-1/4 |
| 141D | 391026 | 0 | Muffler |
| 157 | 730165 | 0 | Muffler, Adapter Kit |
| 201 | 610973 | 0 | Terminal Assy. |
| 209 | 28942 | 0 | Screw |
| 210 | 27793 | 0 | Clip, Conduit |