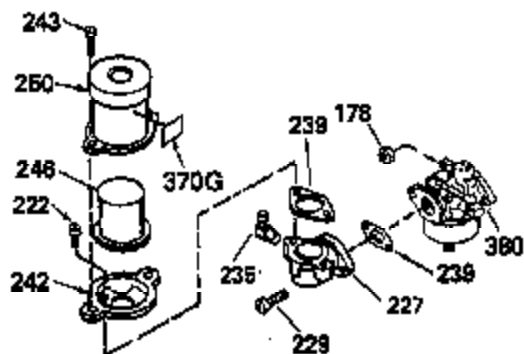
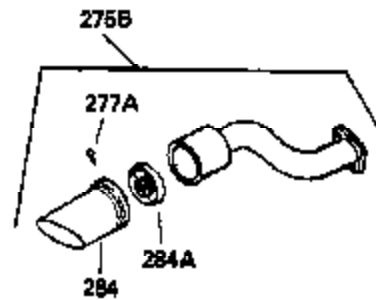
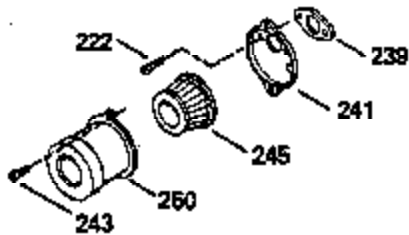
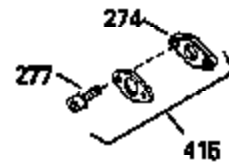
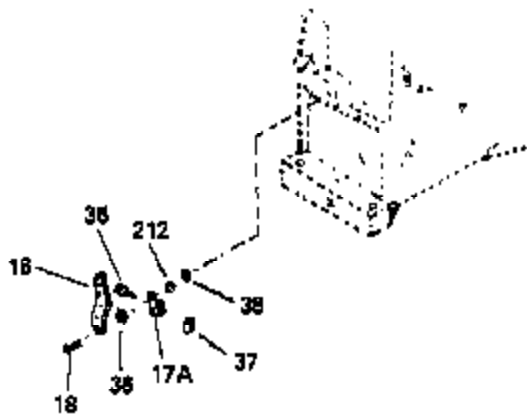
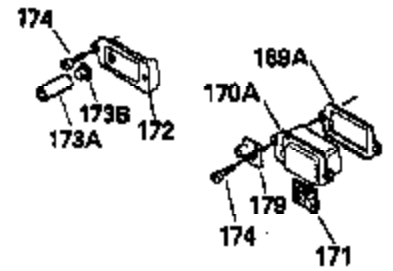
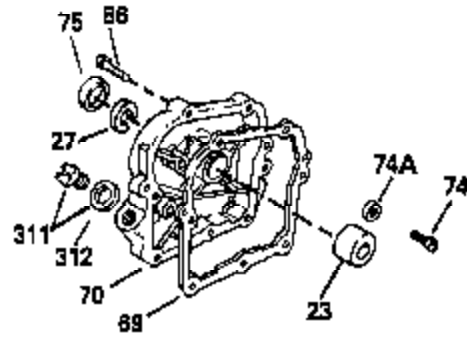
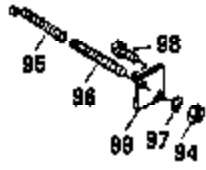
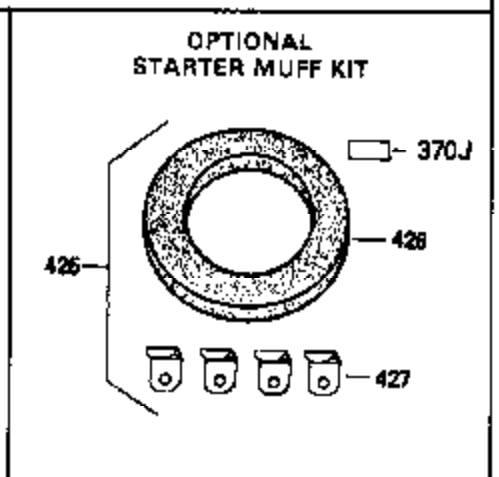
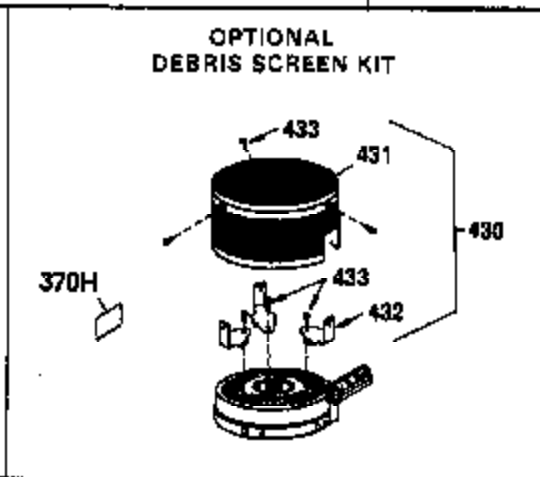
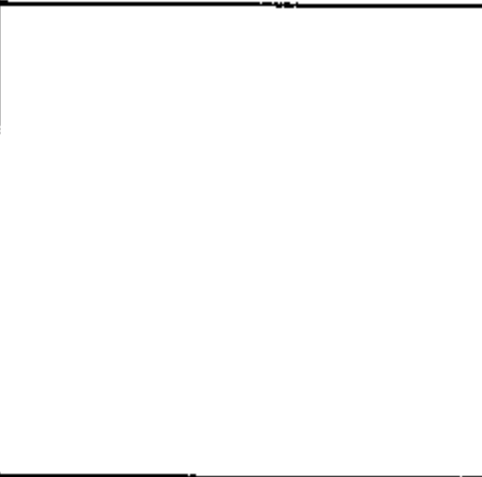
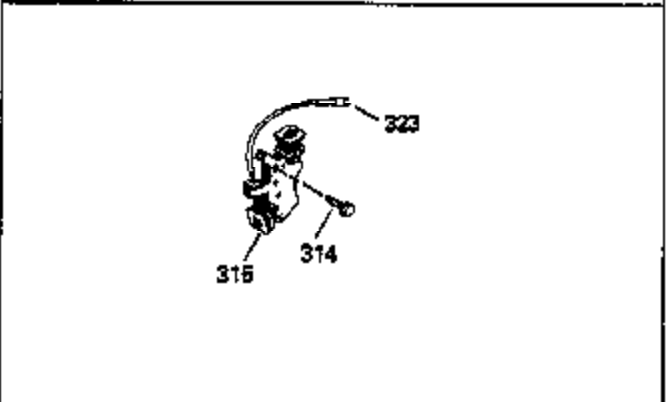
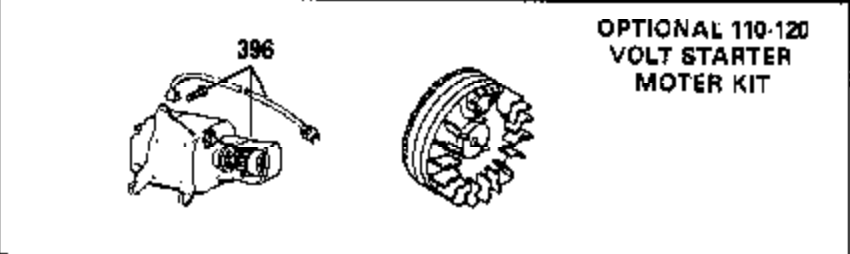
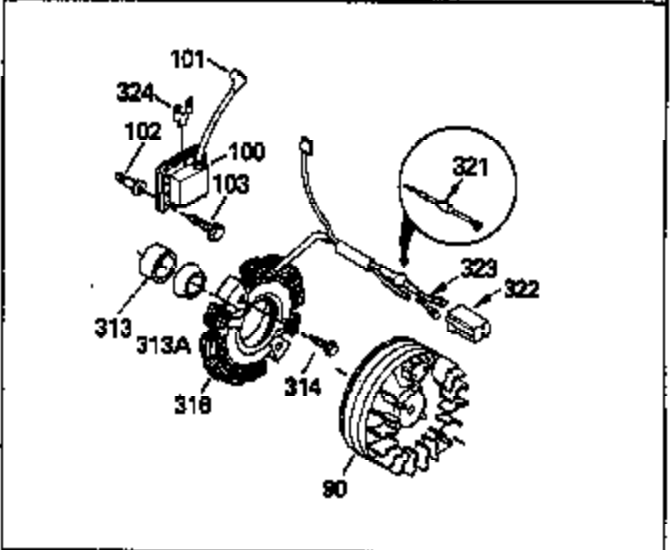
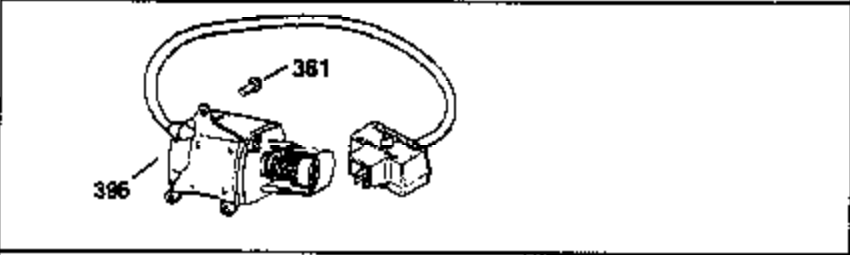
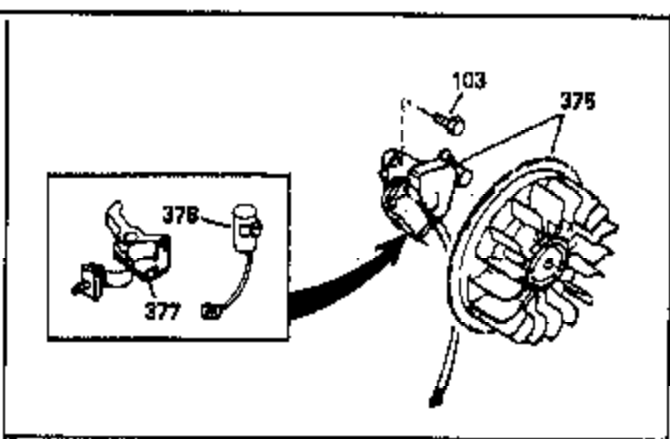
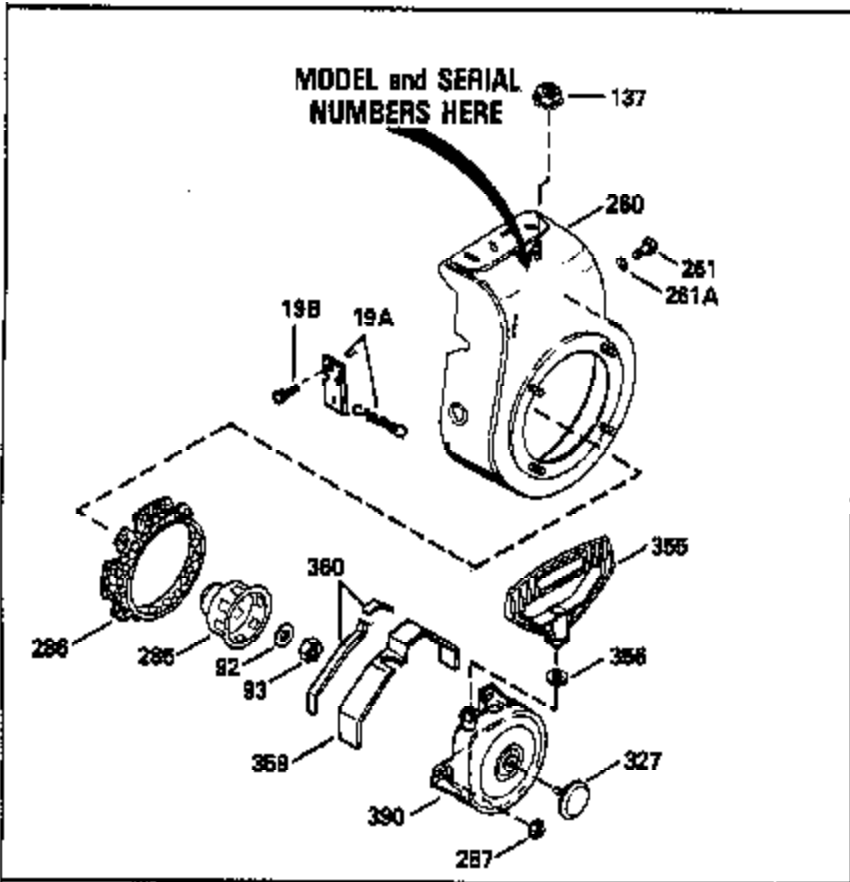


| Ref # | Part Number | Qty | Description |
|-------|-------------|-----|--|
| 1 | 33674B | | Cylinder (Incl. 2, 20, 72 & 72A) |
| 2 | 26727 | | Pin, Dowel |
| 14 | 28277 | | Washer, Flat |
| 15 | 31334 | | Rod, Governor |
| 16 | 31510 | | Lever, Governor |
| 17 | 31335 | | Clamp, Governor lever |
| 18 | 650548 | | Screw, 8-32 x 5/16" |
| 19 | 31426 | | Spring, Extension |
| 20 | 32600 | | Seal, Oil |
| 25 | 33342 | | Baffle, Blower housing |
| 25B | 30322 | | Locknut, 8-32 (Use as required) |
| 25A | 650139 | | Screw, 8-32 x 1/2" (Use as required) |
| 26 | 650561 | | Screw, 1/4-20 x 5/8" |
| 30 | 35276 | | Crankshaft |
| 32 | 32323 | | Washer, Thrust NOTE: This thrust washer maynot be required if a new crankshafthas been installed. Check the proper Mechanic's Handbook for acceptable end play. Use this .010" thrust washer if excess end play is measured. |
| 40 | 34535 | | Piston, Pin & Ring Set (Std.) |
| 40 | 34536 | | Piston, Pin & Ring Set (.010" OS) |
| 40 | 34537 | | Piston, Pin & Ring Set (.020" OS) |
| 41 | 33562B | | Piston & Pin Ass'y. (Std.) (Incl. 43) |
| 41 | 33563B | | Piston & Pin Ass'y. (.010" OS) (Incl. 43) |
| 41 | 33564B | | Piston & Pin Ass'y. (.020" OS) (Incl. 43) |
| 42 | 33567 | | Ring Set (Std.) (2-13/16" Bore) |
| 42 | 33568 | | Ring Set (.010" OS) |
| 42 | 33569 | | Ring Set (.020" OS) |
| 43 | 20381 | | Ring, Piston pin retaining |
| 45 | 32875 | | Rod Assy., Connecting (Incl. 46 & 49) |
| 46 | 32610A | | Bolt, Connecting rod |
| 48 | 27241 | | Lifter, Valve |
| 49 | 32654 | | Dipper, Oil |
| 50 | 33158 | | Camshaft |
| 60 | 29745 | | Extension, Blower housing |
| 61 | 34126 | | Bracket, Grommet mounting |
| 62 | 650760 | | Screw, 8-32 x 3/8" |
| 63 | 28545 | | Grommet, Plastic |
| 64 | 30063 | | Screw, 1/4-20 x 1/2" |
| 65 | 650128 | | Screw, 10-24 x 1/2" |
| 69 | 27677A | | * Gasket, Cylinder cover |
| 70 | 34674A | | Cover, Cylinder (Incl. 75, 80 & 311) |
| 72 | 27642 | | Plug, Pipe, 1/4-18 |
| 75 | 27897 | | Seal, Oil |
| 80 | 30574 | | Shaft, Mechanical governor |
| 81 | 30590A | | Washer, Flat |
| 82 | 30591 | | Gear, Governor |
| 83 | 30588A | | Spool, Governor |
| 84 | 29193 | | Ring, Retaining |
| 86 | 650488 | | Screw, 1/4-20 x 1-1/4" |
| 89 | 610961 | | Key, Flywheel |
| 90 | 611081 | | Flywheel (w/ring gear) |
| 92 | 650815 | | Washer, Belleville |
| 93 | 650816 | | Nut, Flywheel |
| 100 | 34443A | | Solid State Assy. |
| 101 | 610118 | | Cover, Spark plug |
| 102 | 650872 | | Stud, Solid state mounting |
| 103 | 650814 | | Screw, Torx T-15, 10-24 x 1" |

| Ref # | Part Number | Qty | Description |
|-------|-------------|-----|--|
| 110 | 35234 | | Wire, Ground |
| 119 | 33554A | | * Gasket, Cylinder head |
| 120 | 33016A | | Head, Cylinder (Incl. 131) |
| 125 | 29313C | | Exhaust Valve (Std.) (Incl. 151) |
| 125 | 29315C | | Exhaust Valve (1/32" OS) (Incl. 151) |
| 126 | 32644A | | Intake Valve (Std.) (Incl. 151) |
| 126 | 32645A | | Intake Valve (1/32" OS) (Incl. 151) |
| 127 | 650691 | | Washer, Flat |
| 129 | 650818 | | Screw, 5/16-18 x 1-1/2" |
| 130 | 6021A | | Screw, 5/16-18 x 1-1/2" |
| 131 | 650694A | | Screw, 5/16-18 x 2" |
| 135 | 33636 | | Resistor Spark Plug (RJ-8C) |
| 150 | 31672 | | Spring, Valve |
| 151 | 31673 | | Cap, Valve spring |
| 171 | 31410 | | Element, Breather |
| 174 | 650128 | | Screw, 10-24 x 1/2" |
| 178 | 29752 | | Nut & Lockwasher Assy., 1/4-28 |
| 182 | 6201 | | Screw, 1/4-28 x 7/8" |
| 182A | 650870 | | Screw, 1/4-28 x 1-11/16" |
| 184 | 26756 | | * Gasket, Carburetor |
| 185 | 33691 | | Pipe, Intake |
| 186 | 32698 | | Link, Governor to throttle |
| 200 | 33879A | | Control Bracket (Incl.25A,25B,203,204 ,206) NOTE: In original productionthe speed control assembly may be riveted to the blower housing baffle. Replacement speed control includes screws (650139) and nuts (30322) for mounting. Replacement baffle (33342) has threaded holes. Pop rivets may be used, w |
| 203 | 31342 | | Spring, Compression |
| 204 | 650549 | | Screw, 5-40 x 7/16" |
| 210 | 27793 | | Clip, Conduit |
| 211 | 28942 | | Screw, 10-32 x 3/8" |
| 223 | 650664 | | Screw, 1/4-20 x 1-19/32" |
| 224 | 33673A | | * Gasket, Intake pipe |
| 261 | 29212 | | Screw, 1/4-28 x 7/16" |
| 274 | 33670A | | * Gasket, Exhaust |
| 285 | 34694 | | Cup, Starter |
| 291 | 30705 | | Fuel Line (16") (40cm) |
| 292 | 26460 | | Clamp, Fuel line |
| 300 | 32660A | | Fuel Tank (Incl. 292 & 301) |
| 305 | 33893A | | Tube, Oil fill |
| 307 | 33590 | | "O" Ring |
| 310 | 34676 | | Dipstick (Incl. 307) |
| 313 | 34080 | | Spacer, Flywheel key |
| 342A | 650675 | | Washer, Flat |
| 342 | 30063 | | Screw, 1/4-20 x 1/2" |
| 350 | 570682 | | Primer Assy. |
| 351 | 32180C | | Line, Primer |
| 352 | 33341 | | Extension, Baffle |
| 353 | 650884 | | Screw, 8-32 x 1/2" |
| 379 | 631021 | | Inlet Needle, Seat & Clip Assy. |
| 380 | 632107 | | Carburetor (Incl. 184) (Refer to Division 5, Section A, page 168 for breakdown) |
| 400 | 33683B | | * Gasket Set (Incl. items marked *) |
| 420 | 730225 | | SAE 30, 4-Cycle Engine Oil (Quart) |
| 421 | 730226 | | SAE 5W30, 4-Cycle Engine Oil (Quart) |



| Ref # | Part Number | Qty | Description |
|-------|-------------|-----|---|
| | 16 31510 | | Lever, Governor |
| | 18 650548 | | Screw, 8-32 x 5/16" |
| | 70 34674A | | Cover, Cylinder (Incl. 75, 80 & 311) |
| | 75 27897 | | Seal, Oil |
| | 86 650488 | | Screw, 1/4-20 x 1-1/4" |
| | 89 610961 | | Key, Flywheel |
| | 169A 31619A | | * Gasket, Breather |
| | 170A 31337A | | Body, Breather Assy. (Incl. 169A & 17 1) |
| | 171 31410 | | Element, Breather |
| | 174 650128 | | Screw, 10-24 x 1/2" |
| | 178 29752 | | Nut & Lockwasher Assy., 1/4-28 |
| | 179 30593 | | Clip, Ground wire |
| | 274 33670A | | * Gasket, Exhaust |
| | 275A 35279 | | Muffler |
| | 380 632107 | | Carburetor (Incl. 184) (Refer to Division 5, Section A, page 168 for breakdown) |
| | 415 730165 | | Muffler Adapter Kit (Incl.64 & 274) (As req.) |



| Ref # | Part Number | Qty | Description |
|-------|-------------|-----|--|
| 90 | 611081 | | Flywheel (w/ring gear) |
| 92 | 650815 | | Washer, Belleville |
| 93 | 650816 | | Nut, Flywheel |
| 100 | 34443A | | Solid State Assy. |
| 101 | 610118 | | Cover, Spark plug |
| 102 | 650872 | | Stud, Solid state mounting |
| 103 | 650814 | | Screw, Torx T-15, 10-24 x 1" |
| 260 | 33663C | | Housing, Blower |
| 261 | 29212 | | Screw, 1/4-28 x 7/16" |
| 261A | 650168 | | Washer, Flat (Used on early production) |
| 285 | 34694 | | Cup, Starter |
| 286 | 35354 | | Screen, Starter cup (stationary) |
| 287 | 29752 | | Nut & Lockwasher, 1/4-28 |
| 313 | 34080 | | Spacer, Flywheel key |
| 370J | 34870 | | Decal, Instruction (Optional) |
| 370H | 34387 | | Decal, Instruction (Optional) |
| 390 | 590559 | | Rewind Starter (Refer to Division 5, Section C, page 25 for breakdown) |
| 396 | 33290D | | Electric Starter Motor Kit (120 Volt) This 110-120 volt starter motor kit may have been added to this engine. It can be added only if cylinder has drilled and tapped starter mounting bosses and a ring gear flywheel. Refer to service number stamped on end cap of motor, or on decal, for identification |
| 425 | 730571 | | Starter Muff kit (Incl. 370J, 426 & 4 27) Can be used with stamped steel starter |
| 426 | 32203 | | Starter Air Cleaner Can be used with stamped steel starter |
| 427 | 32204 | | Bracket, Starter air cleaner Can be used with stamped steel starter |
| 430 | 730574 | | Debris Screen Kit (Incl.370H,431,432, 433) Can be used with E-Z pull starter |
| 431 | 35596 | | Screen, Debris Can be used with E-Z pull starter |
| 432 | 35597 | | Bracket, Debris screen Can be used with E-Z pull starter |
| 433 | 650910 | | Screw, 8-32 x 1/4" Can be used with E-Z pull starter |