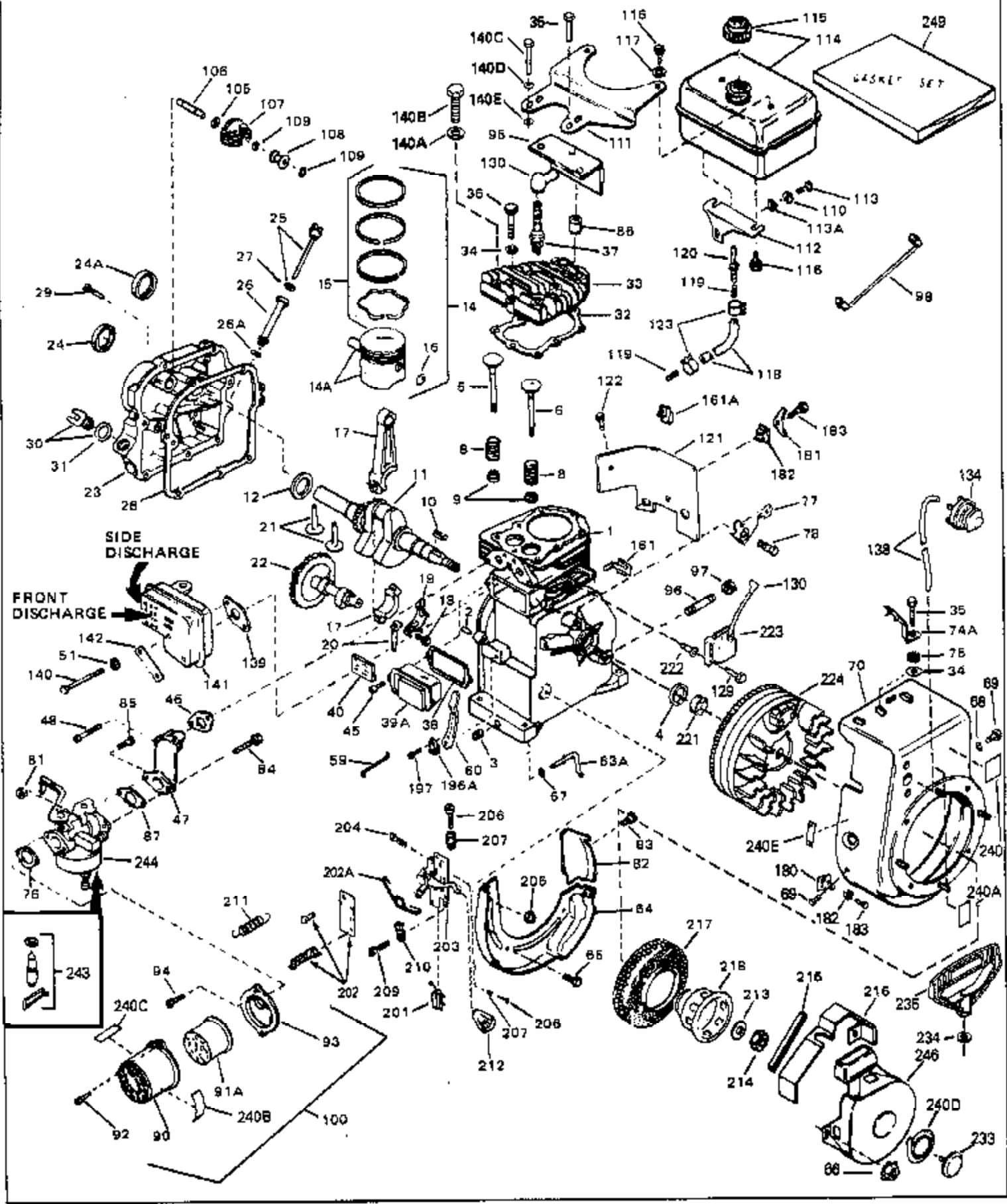


ILLUSTRATION SHOWS TYPICAL PARTS ONLY. ORDER BY PART NUMBER. PARTS NOT LISTED ARE SUPPLIED BY OEM.

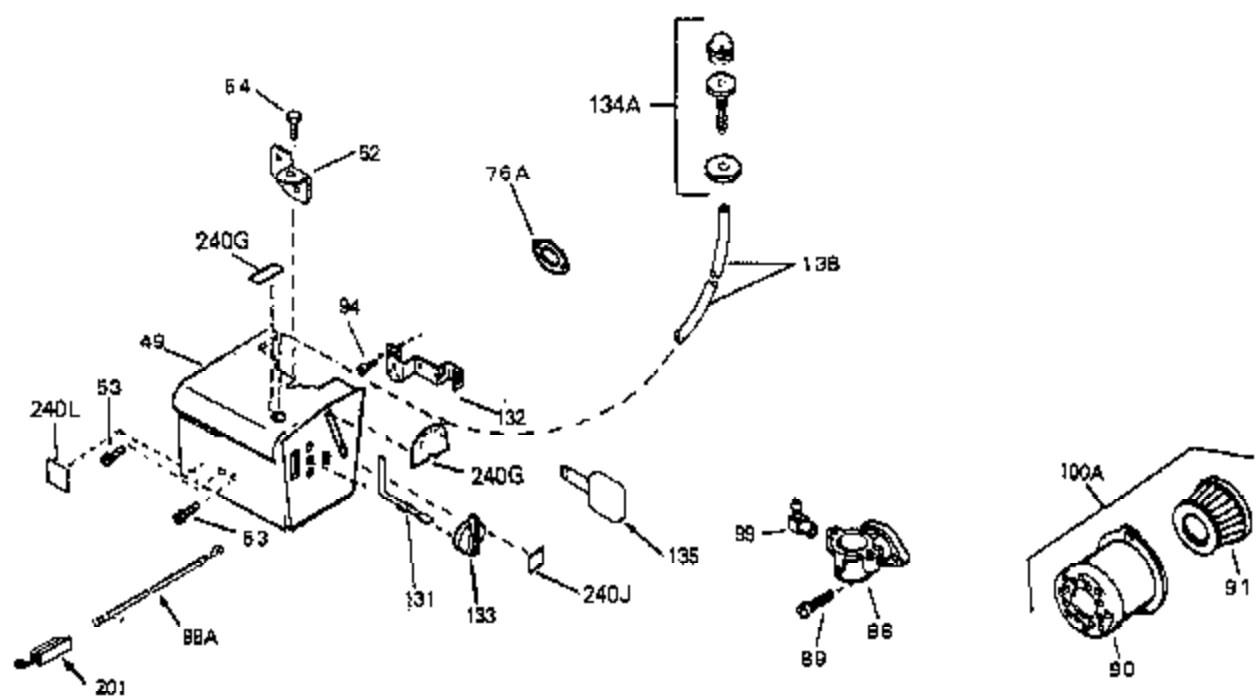
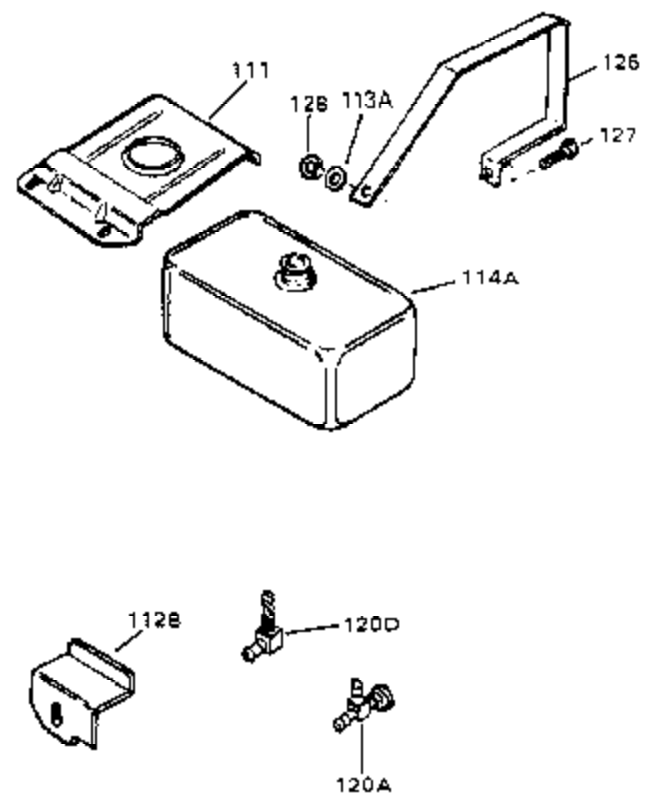
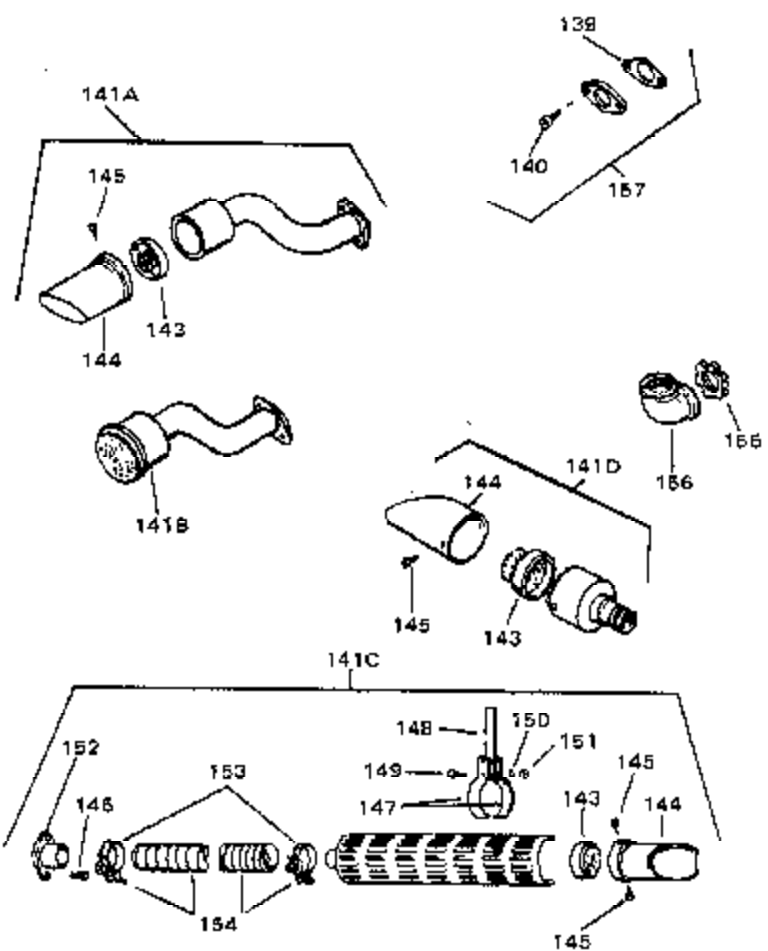


| Ref # | Part Number | Qty | Description                                    |
|-------|-------------|-----|--|
| 1     | 33674B      |     | Cylinder (Incl. 2, 3 & 4) (2-13/16" B ore)     |
| 2     | 26727       |     | Pin, Dowel                                     |
| 3     | 27642       |     | Oil Drain Plug                                 |
| 4     | 32600       |     | Seal, Oil                                      |
| 5     | 32644A      |     | Intake Valve (Std.) (Incl. 9)                  |
| 5     | 32645A      |     | Intake Valve (1/32" OS) (Incl. 9)              |
| 6     | 29313C      |     | Exhaust Valve (Std.) (Incl. 9)                 |
| 6     | 29315C      |     | Exhaust Valve (1/32" OS) (Incl. 9)             |
| 8     | 31672       |     | Spring, Valve                                  |
| 9     | 31673       |     | Cap, Lower valve spring                        |
| 10    | 610961      |     | Key Flywheel                                   |
| 11    | 34728       |     | Crankshaft (Incl. 24)                          |
| 14    | 34535       |     | Piston, Pin & Ring Set (Std.) (2-13/16" Bore)  |
| 14    | 34536       |     | Piston, Pin & Ring Set (.010" OS)              |
| 14    | 34537       |     | Piston, Pin & Ring Set (.020" OS)              |
| 14A   | 33562B      |     | Piston & Pin Ass'y.(Std.)(Incl.16)(2- 13/16")  |
| 14A   | 33563B      |     | Piston & Pin Ass'y. (.010" OS) (Incl. 16)      |
| 14A   | 33564B      |     | Piston & Pin Ass'y. (.020" OS) (Incl. 16)      |
| 15    | 33567       |     | Ring Set (Std.) (2-13/16" Bore)                |
| 15    | 33568       |     | Ring Set (.010" OS)                            |
| 15    | 33569       |     | Ring Set (.020" OS)                            |
| 16    | 20381       |     | Ring, Piston pin retaining                     |
| 17    | 32875       |     | Rod Assy., Connecting (Incl. 18 & 20)          |
| 18    | 32610A      |     | Bolt, Connecting Rod                           |
| 20    | 32654       |     | Dipper, Oil                                    |
| 21    | 27241       |     | Lifter, Valve                                  |
| 22    | 33158       |     | Camshaft                                       |
| 23    | 30756B      |     | Cover, Cylinder (Incl. 24, 30, 31 & 1 06)      |
| 24    | 28540       |     | Seal, Oil                                      |
| 28    | 27677A      |     | * Gasket, Cylinder cover                       |
| 29    | 650451      |     | Screw, 1/4-20 x 1" (Use as required)           |
| 29    | 650488      |     | Screw, 1/4-20 x 1-1/4" (Use as required)       |
| 30    | 27625       |     | Plug, Oil filler (Incl. 31)                    |
| 31    | 29673       |     | * Gasket, Oil fill plug                        |
| 32    | 33554A      |     | Gasket, Cylinder head                          |
| 33    | 33016A      |     | Head, Cylinder (Incl. 35)                      |
| 34    | 26073       |     | Washer (Not used on late production)           |
| 34    | 650691      |     | Washer (Use as required)                       |
| 35    | 650694A     |     | Screw, 5/16-18 x 2" (Use as required)          |
| 35    | 650818      |     | Screw, 5/16-18 x 1-1/2" (Use as required)      |
| 35    | 650865      |     | Screw, 5/16-18 x 2" (Use as required)          |
| 36    | 6021A       |     | Screw, 5/16-18 x 1-1/2" (As req;not w /650691) |
| 37    | 33636       |     | Resistor Spark Plug (RJ-8C)                    |
| 38    | 31619A      |     | * Gasket, Breather                             |
| 39A   | 31337A      |     | Breather Ass'y. (Incl. 38 & 40)                |
| 40    | 31410       |     | Element, Breather                              |
| 45    | 650128      |     | Screw, 10-24 x 1/2"                            |
| 46    | 33673A      |     | * Gasket, Intake (1/32" thick)                 |
| 48    | 30646       |     | Screw, 1/4-20 x 1-3/8"                         |
| 59    | 32698       |     | Link, Governor-to-throttle                     |
| 60    | 31510       |     | Lever, Governor                                |
| 63A   | 31334       |     | Rod, Governor (Incl. 67)                       |
| 64    | 33342       |     | Baffle, Blower housing                         |
| 65    | 650561      |     | Screw, 1/4-20 x 5/8"                           |
| 66    | 29752       |     | Nut & Lockwasher Assy., 1/4-28 (As required)   |
| 66    |             |     | Pop Rivet (Purchase locally)(Use as required)  |
| 67    | 28277       |     | Washer, Flat                                   |
| 68    | 650168      |     | Washer, Flat                                   |

| Ref # | Part Number | Qty | Description  |
|-------|-------------|-----|--|
| 69    | 29212       |     | Screw, 1/4-28 x 7/16"  |
| 70    | 33663C      |     | Blower Housing (For electric starter) NOTE: In original production some starters are riveted to the blower housing. Replacement housing has threaded studs. Order four nuts (29752) for remounting of starter. |
| 74A   | 30747       |     | Clip, Spark plug shorting  |
| 75    | 650890      |     | Lockwasher   |
| 76    | 27272A      |     | * Gasket, Air cleaner  |
| 77    | 34212       |     | Bracket, Holddown  |
| 78    | 30200       |     | Screw, 10-24 x 9/16"   |
| 81    | 29752       |     | Nut & Lockwasher Assy., 1/4-28   |
| 82    | 33341       |     | Extension, Baffle  |
| 83    | 650701      |     | Screw, 8-18 x 7/16"  |
| 84    | 6201        |     | Screw, 1/4-28 x 7/8"   |
| 85    | 650870      |     | Screw, 1/4-28 x 1-11/16"   |
| 86    | 28212       |     | Spacer   |
| 87    | 26756       |     | * Gasket, Carburetor   |
| 90    | 31715       |     | Body, Air cleaner  |
| 92    | 650152      |     | Screw, 8-32 x 3/8"   |
| 93    | 31691       |     | Bracket, Air cleaner   |
| 94    | 28820       |     | Screw, 10-32 x 1/2"  |
| 95    | 33344       |     | Baffle, Heat   |
| 98    | 35349       |     | Ground Wire  |
| 100   | 730127      |     | Air Cleaner Ass'y. (Incl.76,76A,90A,91A,92,93,94, & 221A)(Use as required)   |
| 102   | 28458       |     | Bearing, Ball  |
| 105   | 30590A      |     | Washer, Flat   |
| 106   | 30574       |     | Shaft, Mechanical governor   |
| 107   | 30591       |     | Gear Assy.,Governor (Incl. 105)  |
| 108   | 30588A      |     | Spool Governor   |
| 109   | 29193       |     | Ring, Retaining  |
| 111   | 28371B      |     | Fuel Tank Bracket  |
| 113   | 650561      |     | Screw, 1/4-20 x 5/8"   |
| 114   | 34711       |     | Fuel Tank (Incl. 115 & 123)  |
| 115   | 410144B     |     | Fuel Cap (Std.)(Wh.Plastic)(1-1/2" I. D.)  |
| 115   | 33032       |     | Fuel Cap (Red Plastic)(1-3/16" I.D.) (Spurt resistant, Low profile)  |
| 115   | 34210       |     | Fuel Cap (Red Plastic)(1-3/16" I.D.) (Spurt resistant, High profile)   |
| 116   | 650665      |     | Screw, 1/4-15 x 7/8"   |
| 118   | 30962       |     | Line, Fuel (Braided 32")   |
| 118   | 29774       |     | Line, Fuel (Braided 8.25")   |
| 118   | 30795       |     | Line, Fuel (Braided 16")   |
| 119   | 28819       |     | Spring, Fuel line (Use as required)  |
| 121   | 29745       |     | Extension, Blower housing  |
| 122   | 650128      |     | Screw, 10-24 x 1/2"  |
| 123   | 26460       |     | Clamp, Fuel line (Use as required)   |
| 129   | 650814      |     | Screw, 10-24 x1"   |
| 130   | 27276       |     | Cover, Spark plug  |
| 139   | 33670A      |     | * Gasket, Muffler  |
| 140C  | 650628A     |     | 5/16-18 x 2-3/8"   |
| 140D  | 26073       |     | Washer, flat   |
| 140   | 30063       |     | Screw, 1/4-20 x 1/2" (Use as required )  |
| 161A  | 34246       |     | Clip, Wire   |
| 181   | 33356       |     | Terminal, Ground   |
| 182   | 28545       |     | Grommet, Plastic   |

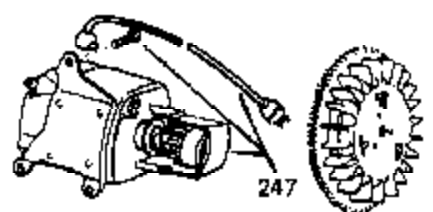
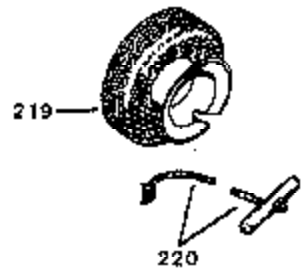
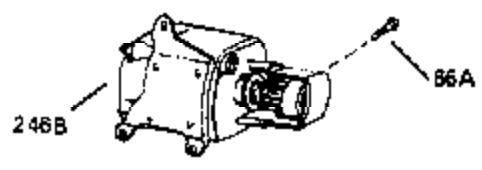
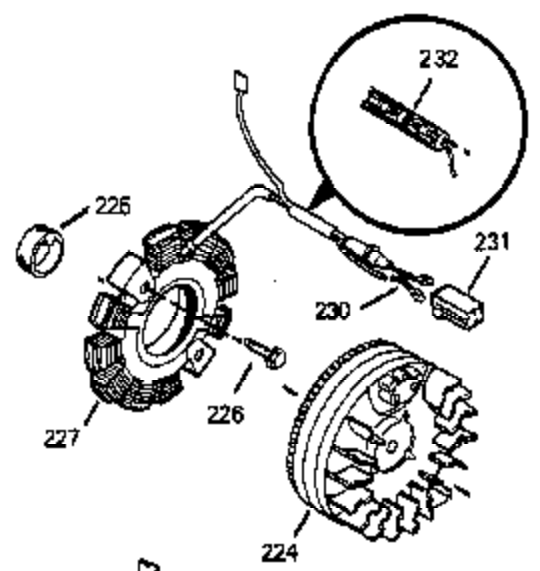
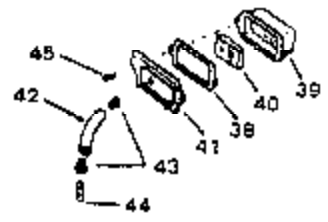
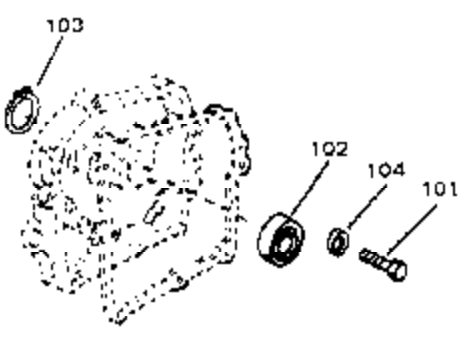
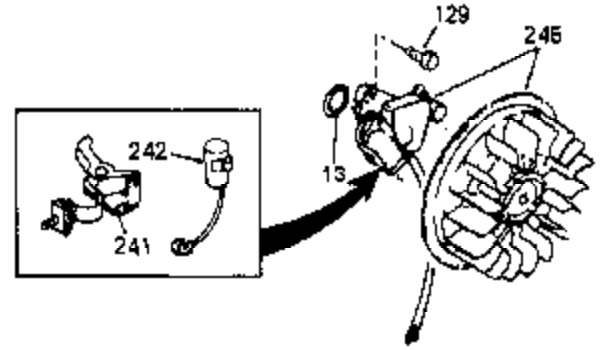
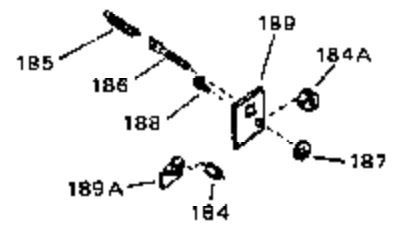
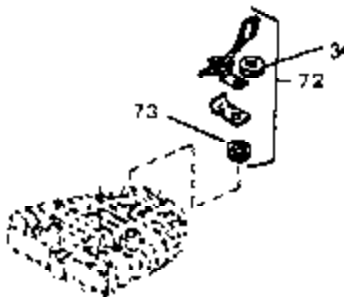
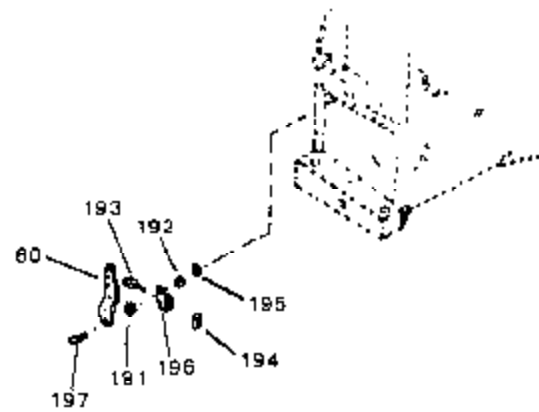
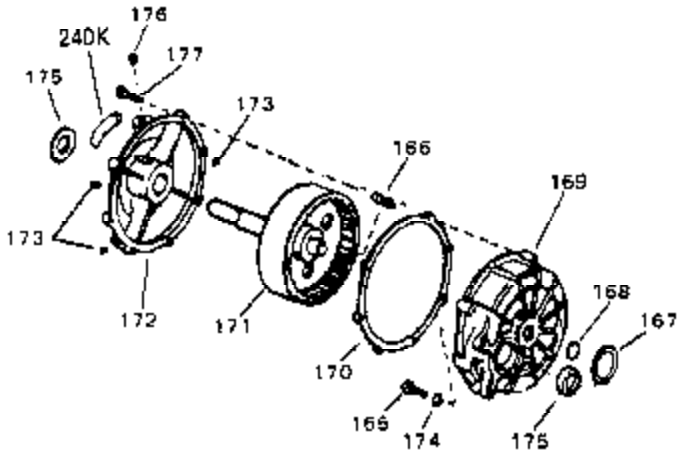
| Ref # | Part Number | Qty | Description  |
|-------|-------------|-----|--|
| 183   | 650760      |     | Screw, 8-32 x 3/8"   |
| 197   | 650548      |     | Screw, 8-32 x 5/16"  |
| 201   | 610973      |     | Terminal Assy. (Use as required)   |
| 202A  | 32923       |     | Spring, Torsion (Used in early production)   |
| 202   | 33857       |     | Spring Assy. (Used in late production )  |
| 203   | 730136A     |     | Control Brkt (Incl.202,202A,204,205,206,207)   |
| 204   | 650139      |     | Screw, 8-32 x 1/2" (Use as required)   |
| 204   | 650152      |     | Screw, 8-32 x 3/8" (Use as required)   |
| 204   | 30200       |     | Screw, 10-24 9/16" (Use as required)   |
| 205   | 30322       |     | Nut & Lockwasher (Use as required)   |
| 206   | 650688      |     | Screw, 10-32 x 1" (Used on early production)   |
| 206   | 650549      |     | Screw, 5-40 x 7/16" (Used on late production)  |
| 207   | 32924       |     | Compression Spring (Used on early production)  |
| 207   | 31342       |     | Compression Spring (Used on late production)   |
| 209   | 28942       |     | Screw, 10-32 x 3/8"  |
| 210   | 27793       |     | Clip, Conduit  |
| 211   | 31426       |     | Spring, Extension  |
| 213   | 650815      |     | Washer, Belleville   |
| 214   | 650816      |     | Nut, Flywheel  |
| 217   | 31585       |     | Screen, Starter  |
| 218   | 34694       |     | Cup, Starter   |
| 221   | 34080       |     | Spacer, Flywheel key   |
| 222   | 650872      |     | Stud, Solid State Assy.  |
| 223   | 34443A      |     | Solid State Assy.  |
| 224   | 611080      |     | Flywheel   |
| 240A  | 550223      |     | Decal, Name  |
| 240   | 34346       |     | Decal. Instruction   |
| 243   | 631021      |     | Inlet Needle, Seat & Clip Assy.  |
| 244   | 631702      |     | Carburetor (Incl. 87) (Refer to Division 5, Section A, page 114 for breakdown)   |
| 246   | 590420A     |     | Rewind Starter NOTE: In original production some starters are riveted to the blowerhousing. Replacement housing has threaded studs. Order four nuts (29752) for remounting of starter. (Refer to Division 5, Section C, page 25 for breakdown) |
| 249   | 33683B      |     | * Gasket Set (Incl. items marked *)  |

ILLUSTRATION SHOWS TYPICAL PARTS ONLY, ORDER BY PART NUMBER. PARTS NOT LISTED ARE SUPPLIED BY OEM.

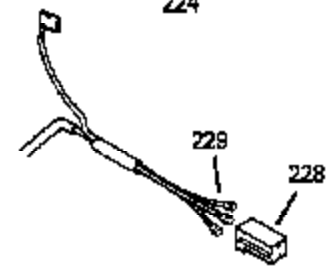


| Ref # | Part Number | Qty | Description  |
|-------|-------------|-----|--|
|       | 90 31715    |     | Body, Air cleaner  |
|       | 91 30727    |     | Element, Air cleaner   |
|       | 94 28820    |     | Screw, 10-32 x 1/2"  |
| 100A  | 730164      |     | Air Cleaner Ass'y. (Incl. 76, 90, 91, 92, 93, 94, & 221B) (Use as required)            |
|       | 111 28371B  |     | Fuel Tank Bracket  |
| 112B  | 34182       |     | Fuel Tank Bracket  |
|       | 139 33670A  |     | * Gasket, Muffler  |
|       | 140 30063   |     | Screw, 1/4-20 x 1/2" (Use as required )  |
| 141D  | 391026      |     | Muffler (Incl. 143, 144 & 145) (This spark arrester muffler can be used on any model.) |
| 141A  | 33699       |     | Muffler (Spark Arresting)(In.143,144, 145)   |
|       | 143 33323   |     | Screen, Muffler  |
|       | 144 33700   |     | Cover & Tube, Muffler  |
|       | 145 650578  |     | Screw, 8-18 x 3/8"   |
|       | 157 730165  |     | Muff.Adapter Kit (Incl.139,140)(As required)   |
|       | 201 610973  |     | Terminal Assy. (Use as required)   |

ILLUSTRATION SHOWS TYPICAL PARTS ONLY. ORDER BY PART NUMBER. PARTS NOT LISTED ARE SUPPLIED BY OEM.



OPTIONAL 110-120  
 VOLT STARTER  
 MOTOR KIT  
 (SEE NOTE 2 AT END OF THE SECTION)



| Ref # | Part Number | Qty | Description   |
|-------|-------------|-----|---|
| 34    | 26073       |     | Washer (Not used on late production)  |
| 34    | 650691      |     | Washer (Use as required)  |
| 38    | 31619A      |     | * Gasket, Breather  |
| 40    | 31410       |     | Element, Breather   |
| 45    | 650128      |     | Screw, 10-24 x 1/2"   |
| 101   | 30200       |     | Screw, 10-24 x 9/16"  |
| 102   | 28458       |     | Bearing, Ball   |
| 103   | 28539       |     | Ring, Retaining   |
| 104   | 28537       |     | Washer, Flat  |
| 191   | 29918       |     | Washer, Lock, #8  |
| 192   | 30322       |     | Nut & Lockwasher, 8-32  |
| 193   | 29826       |     | Screw, 10-32 x 3/4"   |
| 194   | 29216       |     | Nut, Square, 10-32  |
| 195   | 29642       |     | Ring, Retaining   |
| 196   | 29916       |     | Clamp, Governor lever   |
| 197   | 650548      |     | Screw, 8-32 x 5/16"   |
| 219   | 34788       |     | Pulley, Starter rope  |
| 224   | 611080      |     | Flywheel  |
| 225   | 35189       |     | Spacer, Coil Assy.  |
| 247   | 33290D      |     | Starter Motor Kit (110-120 Volt) This 110-120 volt starter motor kit may have been added to this engine. It can be added only if cylinder has drilled and tapped starter mounting bosses and a ring gear flywheel. Refer to service number stamped on end cap of motor, or on decal, for identification.<br>Ref |