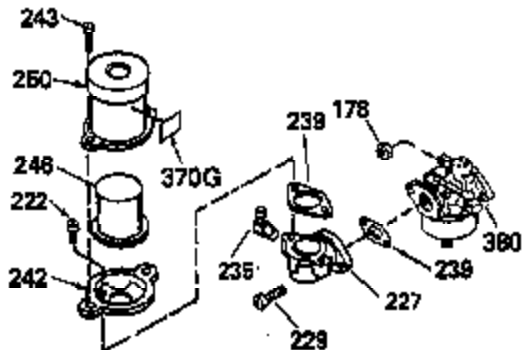
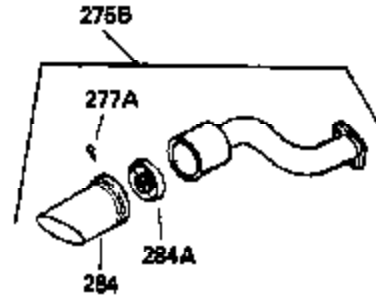
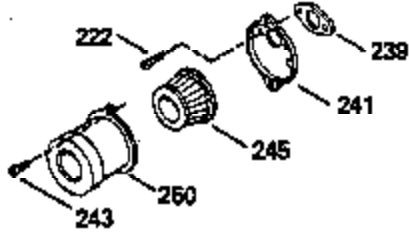
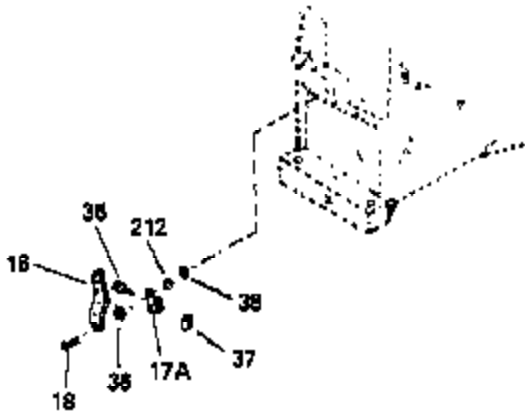
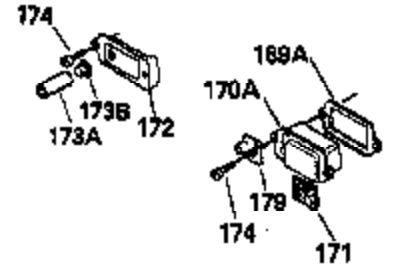
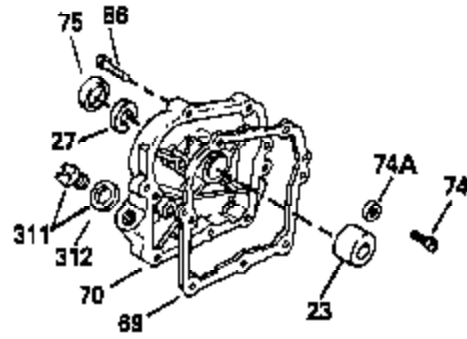
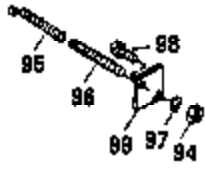




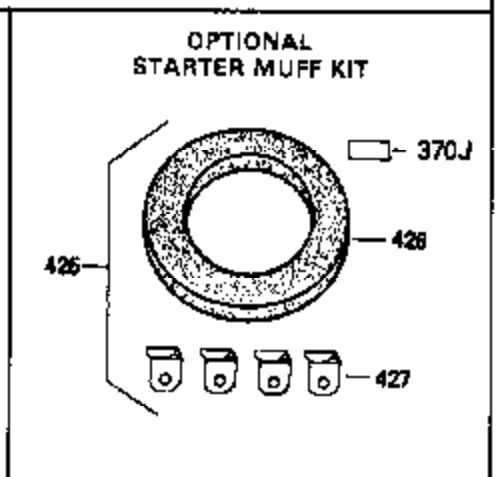
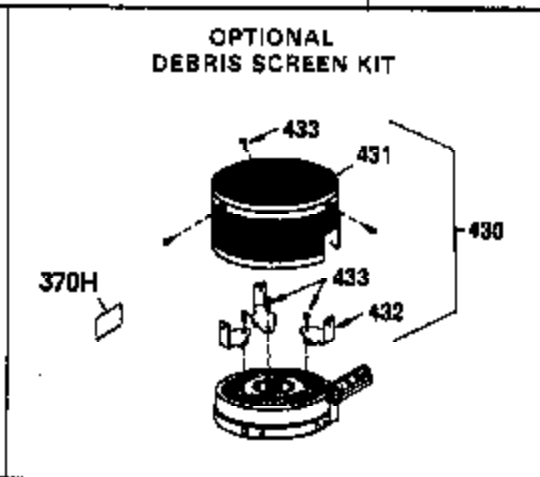
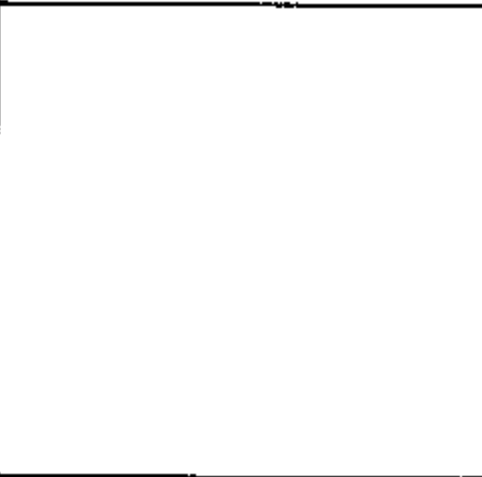
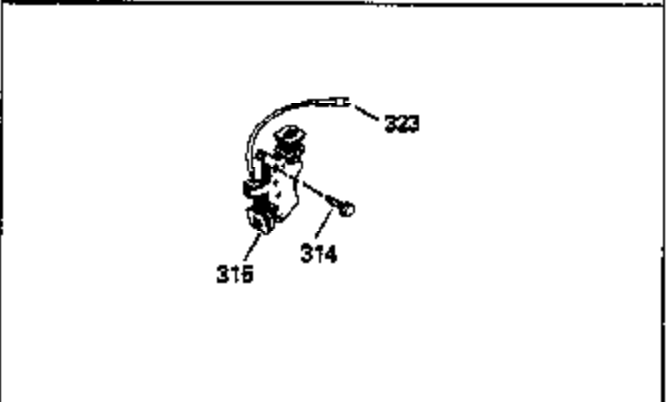
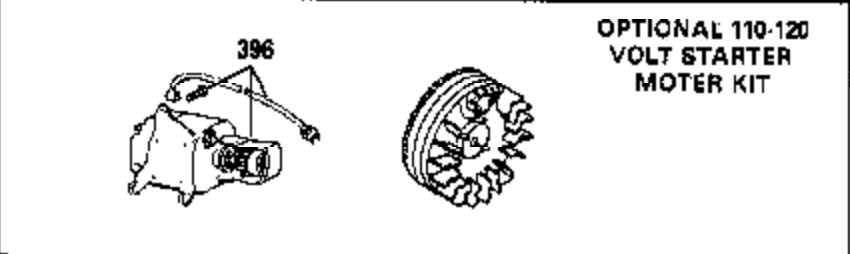
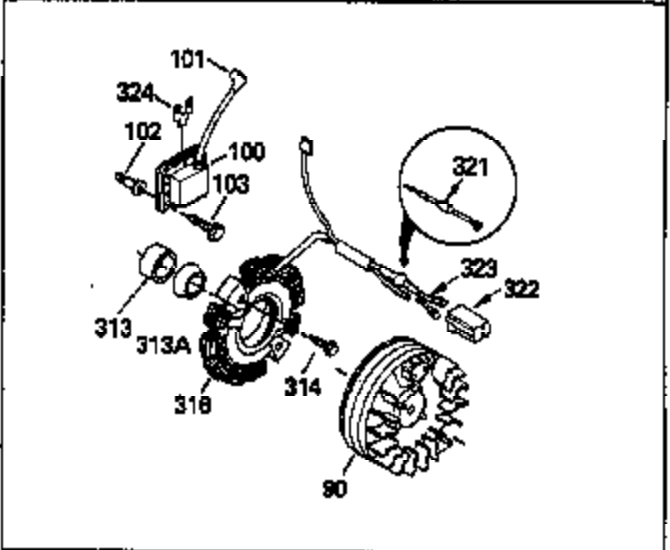
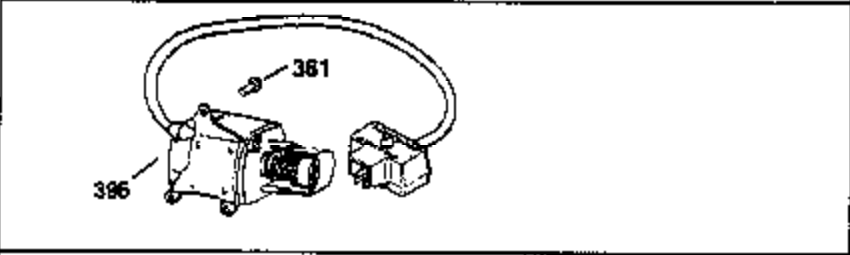
| Ref # | Part Number | Qty | Description  |
|-------|-------------|-----|--|
| 1     | 33674B      |     | Cylinder (Incl. 2, 20, 72 & 72A)   |
| 2     | 26727       |     | Pin, Dowel   |
| 14    | 28277       |     | Washer, Flat   |
| 15    | 31334       |     | Rod, Governor  |
| 16    | 31510       |     | Lever, Governor  |
| 17    | 31335       |     | Clamp, Governor lever  |
| 18    | 650548      |     | Screw, 8-32 x 5/16"  |
| 19    | 31426       |     | Spring, Extension  |
| 20    | 32600       |     | Seal, Oil  |
| 25B   | 30322       |     | Locknut, 8-32 (Use as required)  |
| 25    | 33342       |     | Baffle, Blower housing   |
| 25A   | 650139      |     | Screw, 8-32 x 1/2" (Use as required)   |
| 26    | 650561      |     | Screw, 1/4-20 x 5/8"   |
| 30    | 34740       |     | Crankshaft   |
| 32    | 32323       |     | Washer, Thrust NOTE: This thrust washer maynot be required if a new crankshafthas been installed. Check the proper Mechanic's Handbook for acceptable end play. Use this .010" thrust washer if excess end play is measured. |
| 40    | 34535       |     | Piston, Pin & Ring Set (Std.)  |
| 40    | 34536       |     | Piston, Pin & Ring Set (.010" OS)  |
| 40    | 34537       |     | Piston, Pin & Ring Set (.020" OS)  |
| 41    | 33562B      |     | Piston & Pin Ass'y. (Std.) (Incl. 43)  |
| 41    | 33563B      |     | Piston & Pin Ass'y. (.010" OS) (Incl. 43)  |
| 41    | 33564B      |     | Piston & Pin Ass'y. (.020" OS) (Incl. 43)  |
| 42    | 33567       |     | Ring Set (Std.) (2-13/16" Bore)  |
| 42    | 33568       |     | Ring Set (.010" OS)  |
| 42    | 33569       |     | Ring Set (.020" OS)  |
| 43    | 20381       |     | Ring, Piston pin retaining   |
| 45    | 32875       |     | Rod Assy., Connecting (Incl. 46 & 49)  |
| 46    | 32610A      |     | Bolt, Connecting rod   |
| 48    | 27241       |     | Lifter, Valve  |
| 49    | 32654       |     | Dipper, Oil  |
| 50    | 33158       |     | Camshaft   |
| 60    | 29745       |     | Extension, Blower housing  |
| 61    | 34126       |     | Bracket, Grommet mounting  |
| 62    | 650760      |     | Screw, 8-32 x 3/8"   |
| 63    | 28545       |     | Grommet, Plastic   |
| 64    | 30063       |     | Screw, 1/4-20 x 1/2"   |
| 64A   | 8345        |     | Washer, Flat   |
| 65    | 650128      |     | Screw, 10-24 x 1/2"  |
| 69    | 27677A      |     | * Gasket, Cylinder cover   |
| 70    | 34674A      |     | Cover, Cylinder (Incl. 75, 80 & 311)   |
| 72    | 27642       |     | Plug, Pipe, 1/4-18   |
| 75    | 27897       |     | Seal, Oil  |
| 80    | 30574       |     | Shaft, Mechanical governor   |
| 81    | 30590A      |     | Washer, Flat   |
| 82    | 30591       |     | Gear, Governor   |
| 83    | 30588A      |     | Spool, Governor  |
| 84    | 29193       |     | Ring, Retaining  |
| 86    | 650488      |     | Screw, 1/4-20 x 1-1/4"   |
| 89    | 610961      |     | Key, Flywheel  |
| 90    | 611081      |     | Flywheel (w/ring gear)   |
| 92    | 650815      |     | Washer, Belleville   |
| 93    | 650863      |     | Nut, Flywheel  |
| 100   | 34443A      |     | Solid State Assy.  |
| 101   | 610118      |     | Cover, Spark plug  |
| 102   | 650872      |     | Stud, Solid state mounting   |

| Ref # | Part Number | Qty | Description   |
|-------|-------------|-----|---|
| 103   | 650814      |     | Screw, Torx T-15, 10-24 x 1"  |
| 110   | 35557       |     | Wire, Ground  |
| 119   | 33554A      |     | * Gasket, Cylinder head   |
| 120   | 33016A      |     | Head, Cylinder (Incl. 131)  |
| 125   | 29313C      |     | Exhaust Valve (Std.) (Incl. 151)  |
| 125   | 29315C      |     | Exhaust Valve (1/32" OS) (Incl. 151)  |
| 126   | 32644A      |     | Intake Valve (Std.) (Incl. 151)   |
| 126   | 32645A      |     | Intake Valve (1/32" OS) (Incl. 151)   |
| 127   | 650691      |     | Washer, Flat  |
| 129   | 650818      |     | Screw, 5/16-18 x 1-1/2"   |
| 130   | 6021A       |     | Screw, 5/16-18 x 1-1/2"   |
| 131   | 650694A     |     | Screw, 5/16-18 x 2"   |
| 135   | 35395       |     | Resistor Spark Plug (RJ19LM)  |
| 150   | 31672       |     | Spring, Valve   |
| 151   | 31673       |     | Cap, Valve spring   |
| 169   | 27234A      |     | * Gasket, Breather  |
| 170   | 27666       |     | Body, Breather & Valve assy.  |
| 171   | 31410       |     | Element, Breather   |
| 172   | 34146       |     | Cover, Breather   |
| 173   | 35350       |     | Tube, Breather  |
| 174   | 650128      |     | Screw, 10-24 x 1/2"   |
| 178   | 29752       |     | Nut & Lockwasher Assy., 1/4-28  |
| 182   | 6201        |     | Screw, 1/4-28 x 7/8"  |
| 182A  | 650870      |     | Screw, 1/4-28 x 1-11/16"  |
| 183   | 34583       |     | Bracket, Choke  |
| 184   | 26756       |     | * Gasket, Carburetor  |
| 185   | 33691       |     | Pipe, Intake  |
| 186   | 32698       |     | Link, Governor to throttle  |
| 200   | 33858A      |     | Control Bracket (Incl.25A, 25B, 204 & 206) NOTE: In original production the speed control assembly may be riveted to the blower housing baffle. Replacement speed control includes screws (650139) and nuts (30322) for mounting. Replacement baffle (33342) has threaded holes. Pop rivets may be used, wh |
| 203   | 31342       |     | Spring, Compression   |
| 204   | 650549      |     | Screw, 5-40 x 7/16"   |
| 206   | 610973      |     | Terminal Assy.  |
| 210   | 27793       |     | Clip, Conduit   |
| 215   | 35440       |     | Knob, Speed control   |
| 219   | 34582       |     | Rod, Choke  |
| 220   | 35438       |     | Knob, Choke control   |
| 222   | 28820       |     | Screw, 10-32 x 1/2"   |
| 223   | 650664      |     | Screw, 1/4-20 x 1-19/32"  |
| 224   | 33673A      |     | * Gasket, Intake pipe   |
| 260A  | 35656       |     | Housing, Blower   |
| 261   | 29212       |     | Screw, 1/4-28 x 7/16"   |
| 267   | 34212       |     | Bracket, Hold down  |
| 268   | 30200       |     | Screw, 10-24 x 9/16"  |
| 272   | 650735      |     | Screw, 10-24 x 3/8"   |
| 273   | 33333       |     | Bracket, Carburetor cover   |
| 274   | 33670A      |     | * Gasket, Exhaust   |
| 275   | 35771       |     | Muffler (Incl. 274)   |
| 277   | 650327      |     | Screw, 1/4-20 x 2-1/2"  |
| 285   | 34694       |     | Cup, Starter  |
| 287A  | 650884      |     | Screw, 8-32 x 1/2"  |
| 290   | 29774       |     | Fuel Line (8.25") (21cm)  |
| 291   | 30705       |     | Fuel Line (16") (40cm)  |

| Ref # | Part Number | Qty | Description   |
|-------|-------------|-----|---|
|       | 292 26460   |     | Clamp, Fuel line  |
|       | 295 35857   |     | Valve, Fuel Shut-off  |
|       | 298 650665  |     | Screw, 1/4-15 x 7/8"  |
|       | 300 35584   |     | Fuel Tank (Incl. 292 & 301)   |
|       | 301 35355   |     | Fuel Cap  |
|       | 305 35554   |     | Tube, Oil fill  |
|       | 307 35499   |     | "O" Ring  |
|       | 308 35539   |     | Clip, Fill tube   |
|       | 310 35556   |     | Dipstick, Oil   |
|       | 313 34080   |     | Spacer, Flywheel key  |
|       | 327 35392   |     | Plug, Starter   |
|       | 335 35072   |     | Cover, Carburetor   |
|       | 338 650257  |     | Screw, 8-32 x 5/16"   |
|       | 340 28371B  |     | Fuel Tank Bracket   |
|       | 341 34182   |     | Fuel Tank Bracket   |
|       | 342 650805  |     | Screw, 1/4-20 x 11/16"  |
|       | 342A 650675 |     | Washer, Flat  |
|       | 345 33344   |     | Baffle, Heat  |
|       | 350 570682  |     | Primer Assy.  |
|       | 351 32180C  |     | Line, Primer  |
|       | 352 33341   |     | Extension, Baffle   |
|       | 353 650884  |     | Screw, 8-32 x 1/2"  |
|       | 355 590574  |     | Handle, Mitten grip   |
|       | 356 650168  |     | Washer, Flat  |
|       | 379 631021  |     | Inlet Needle, Seat & Clip Assy.   |
|       | 380 632107  |     | Carburetor (Incl. 184) (Refer to Division 5, Section A, page 168 for breakdown) |
|       | 390A 590646 |     | Rewind Starter (Refer to Division 5, Section C, page 34 for breakdown)          |
|       | 400 33683B  |     | * Gasket Set (Incl. items marked *)   |
|       | 420 730225  |     | SAE 30, 4-Cycle Engine Oil (Quart)  |
|       | 421 730226  |     | SAE 5W30, 4-Cycle Engine Oil (Quart)  |



| Ref # | Part Number | Qty | Description   |
|-------|-------------|-----|---|
| 16    | 31510       |     | Lever, Governor   |
| 18    | 650548      |     | Screw, 8-32 x 5/16"   |
| 70    | 34674A      |     | Cover, Cylinder (Incl. 75, 80 & 311)  |
| 75    | 27897       |     | Seal, Oil   |
| 86    | 650488      |     | Screw, 1/4-20 x 1-1/4"  |
| 89    | 610961      |     | Key, Flywheel   |
| 171   | 31410       |     | Element, Breather   |
| 172   | 34146       |     | Cover, Breather   |
| 174   | 650128      |     | Screw, 10-24 x 1/2"   |
| 178   | 29752       |     | Nut & Lockwasher Assy., 1/4-28  |
| 222   | 28820       |     | Screw, 10-32 x 1/2"   |
| 274   | 33670A      |     | * Gasket, Exhaust   |
| 277   | 650327      |     | Screw, 1/4-20 x 2-1/2"  |
| 380   | 632107      |     | Carburetor (Incl. 184) (Refer to Division 5, Section A, page 168 for breakdown) |
| 415   | 730165      |     | Muffler Adapter Kit (Incl.64 & 274) ( As req.)                                  |



| Ref # | Part Number | Qty | Description  |
|-------|-------------|-----|--|
| 90    | 611081      |     | Flywheel (w/ring gear)   |
| 92    | 650815      |     | Washer, Belleville   |
| 93    | 650863      |     | Nut, Flywheel  |
| 100   | 34443A      |     | Solid State Assy.  |
| 101   | 610118      |     | Cover, Spark plug  |
| 102   | 650872      |     | Stud, Solid state mounting   |
| 103   | 650814      |     | Screw, Torx T-15, 10-24 x 1"   |
| 261   | 29212       |     | Screw, 1/4-28 x 7/16"  |
| 261A  | 650168      |     | Washer, Flat (Used on early production)  |
| 285   | 34694       |     | Cup, Starter   |
| 313   | 34080       |     | Spacer, Flywheel key   |
| 327   | 35392       |     | Plug, Starter  |
| 355   | 590574      |     | Handle, Mitten grip  |
| 356   | 650168      |     | Washer, Flat   |
| 370J  | 34870       |     | Decal, Instruction (Optional)  |
| 370H  | 34387       |     | Decal, Instruction (Optional)  |
| 396   | 33290D      |     | Electric Starter Motor Kit (120 Volt) This 110-120 volt starter motor kit may have been added to this engine. It can be added only if cylinder has drilled and tapped starter mounting bosses and a ring gear flywheel. Refer to service number stamped on end cap of motor, or on decal, for identification |
| 425   | 730571      |     | Starter Muff kit (Incl. 370J, 426 & 4 27) Can be used with stamped steel starter   |
| 426   | 32203       |     | Starter Air Cleaner Can be used with stamped steel starter   |
| 427   | 32204       |     | Bracket, Starter air cleaner Can be used with stamped steel starter  |
| 430   | 730574      |     | Debris Screen Kit (Incl.370H,431,432, 433) Can be used with E-Z pull starter   |
| 431   | 35596       |     | Screen, Debris Can be used with E-Z pull starter   |
| 432   | 35597       |     | Bracket, Debris screen Can be used with E-Z pull starter   |
| 433   | 650910      |     | Screw, 8-32 x 1/4" Can be used with E-Z pull starter   |