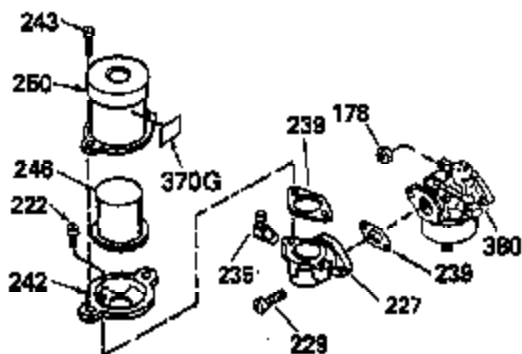
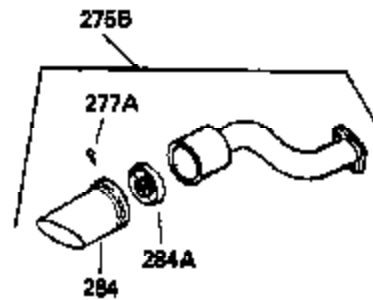
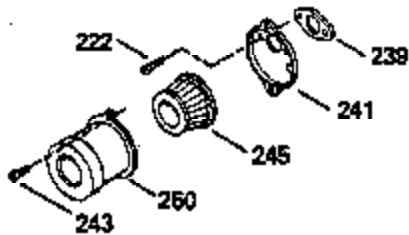
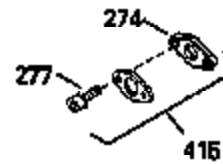
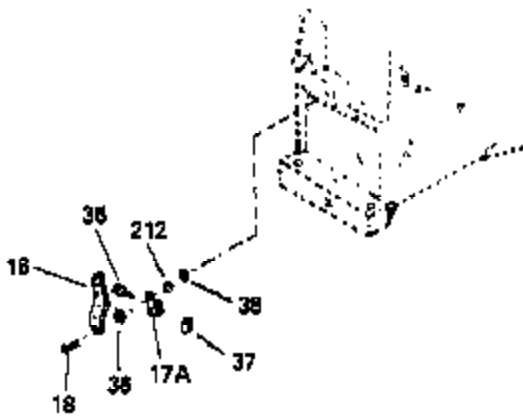
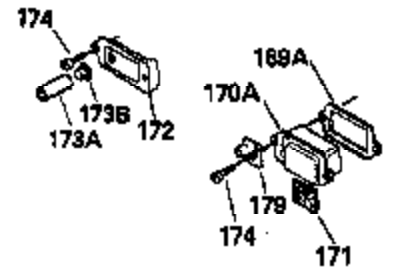
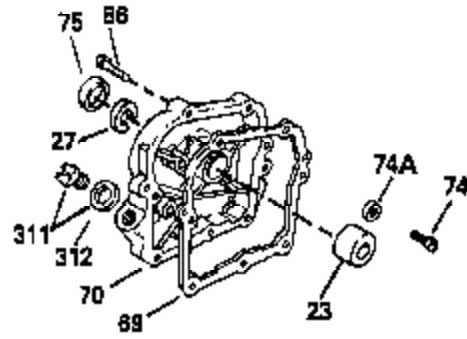
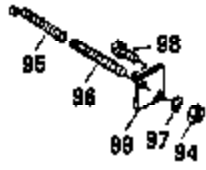


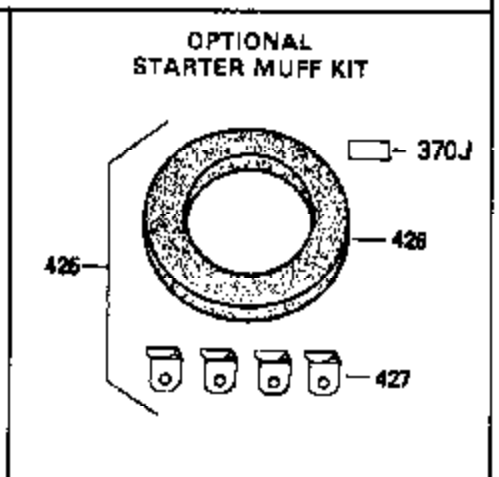
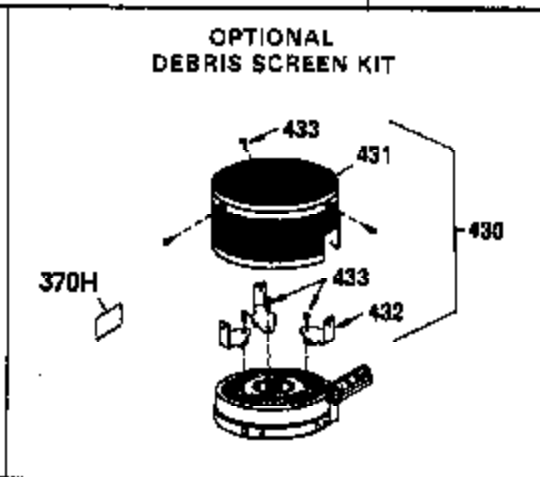
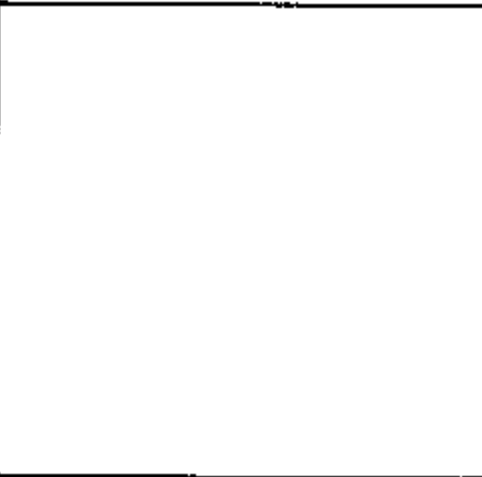
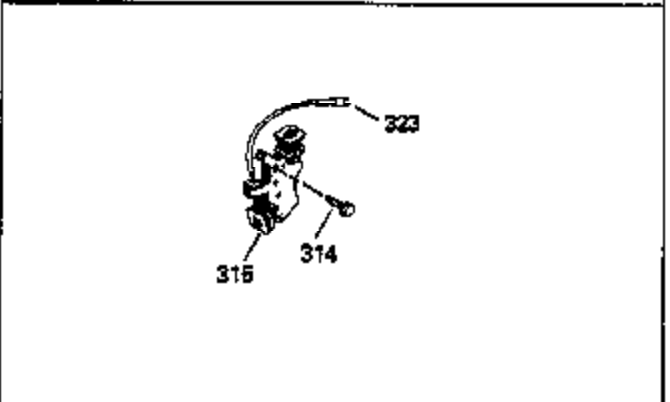
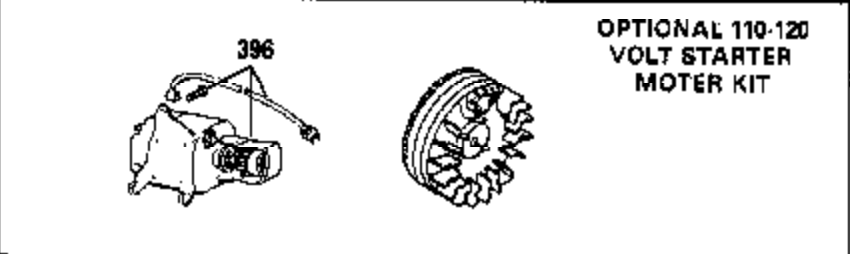
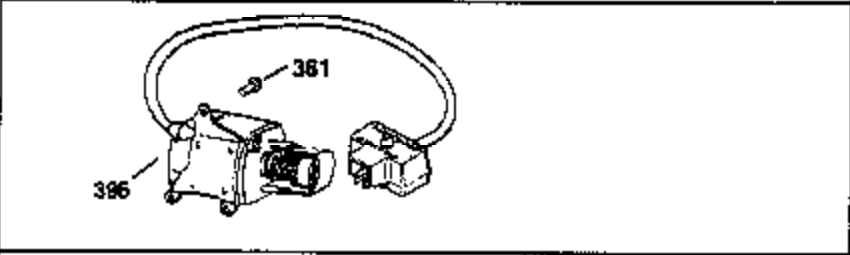
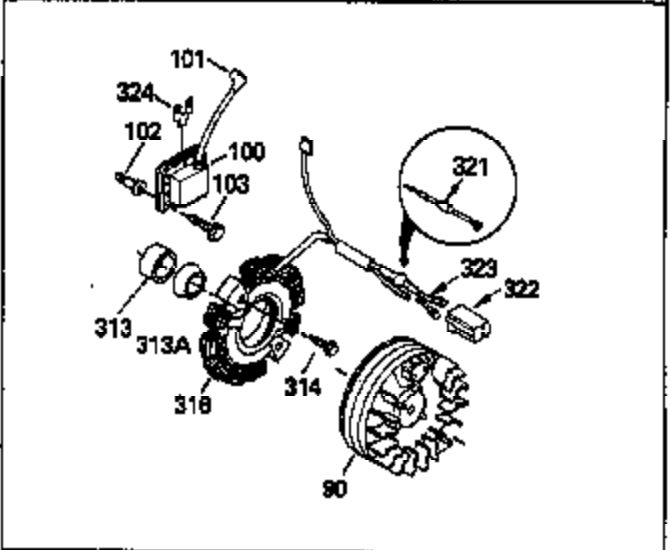
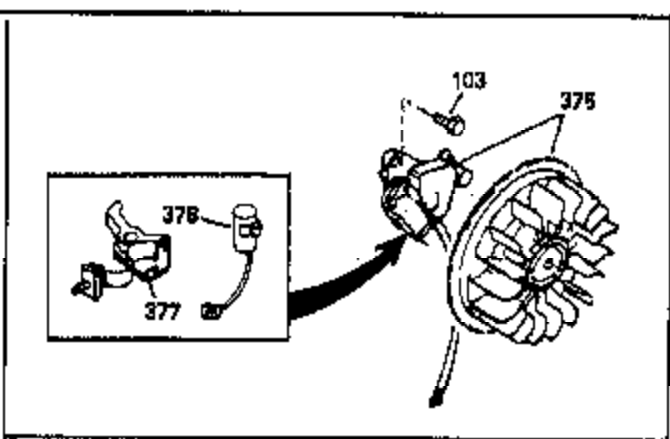
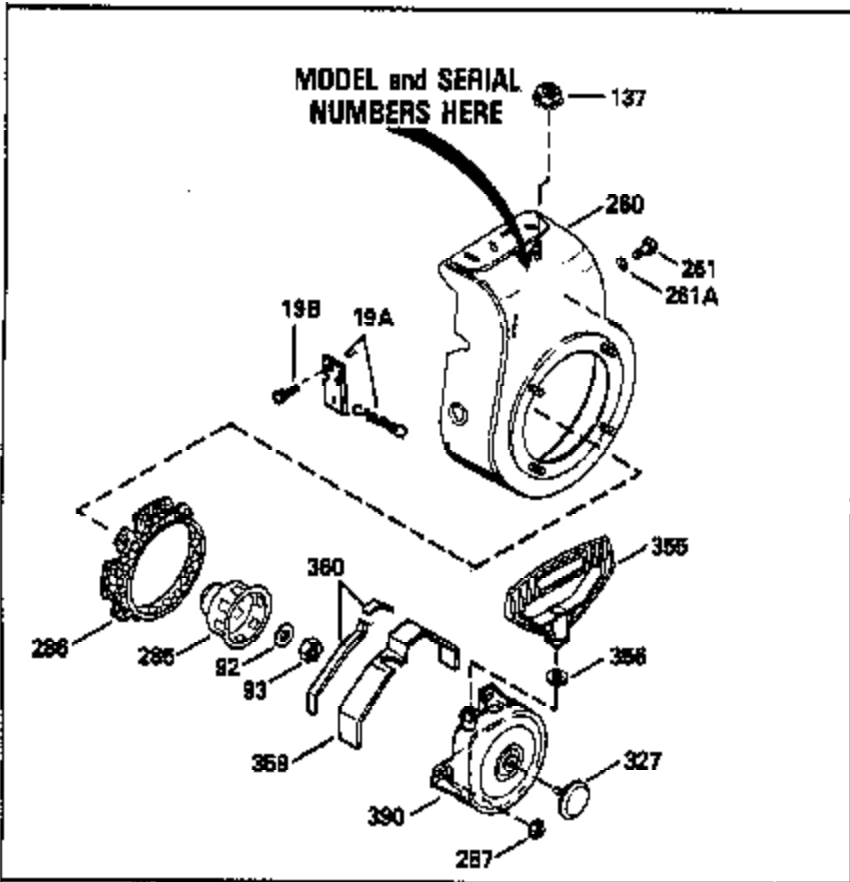


Ref #	Part Number	Qty	Description
	1 36469A	1	Cylinder (Incl. 2, 20, 72 & 125)
	2 26727	2	Dowel Pin
	14 28277	1	Washer
	15 31334	1	Governor Rod
	16 31510	1	Governor Lever
	17 31335	1	Governor Lever Clamp
	18 651018	1	Screw, Torx T-15, 8-32 x 19/64"
	19 31426	1	Extension Spring
	20 32600	1	Oil Seal
	25A 35883	1	Baffle Extension
	25 36552	1	Blower Housing Baffle (Incl. 262)
	26A 650926	1	Screw, 8-32 x 21/64"
	26 650802	2	Screw, 1/4-20 x 5/8"
	30 34728	1	Crankshaft
	40 36073	1	Piston, Pin & Ring Set (Std.)
	40 36074	1	Piston, Pin & Ring Set (.010" OS)
	40 36075	1	Piston, Pin & Ring Set (.020" OS)
	41 36070	1	Piston & Pin Ass'y. (Std.) (Incl. 43)
	41 36071	1	Piston & Pin Ass'y. (.010" OS) (Incl. 43)
	41 36072	1	Piston & Pin Ass'y. (.020" OS) (Incl. 43)
	42 36076	1	Ring Set (Std.)
	42 36077	1	Ring Set (.010" OS)
	42 36078	1	Ring Set (.020" OS)
	43 20381	2	Piston Pin Retaining Ring
	45 32875	1	Connecting Rod Ass'y. (Incl. 46 & 49)
	46 32610A	2	Connecting Rod Bolt
	48 27241	2	Valve Lifter
	49 32654	1	Oil Dipper
	50 33158	1	Camshaft (BCR)
	60 29745	1	Blower Housing Extension
	64 30063	1	Screw, Torx T-30, 1/4-20 x 1/2"
	64A 8345	1	Washer
	65 650128	1	Screw, 10-24 x 1/2"
	69 27677A	1	* Cylinder Cover Gasket
	70 30756C	1	Cylinder Cover (Incl. 75 thru 86 & 31 1)
	72 27642	2	Oil Drain Plug
	75 28540	1	Oil Seal
	80 30574A	1	Governor Shaft
	81 30590A	1	Washer
	82 30591	1	Governor Gear Ass'y. (Incl. 81)
	83 30588A	1	Governor Spool
	86 650488	7	Screw, 1/4-20 x 1-1/4"
	89 610961	1	Flywheel Key
	90 611195	1	Flywheel
	92 650815	1	Belleville Washer
	93 650816	1	Flywheel Nut
	100 34443A	1	Solid State Ignition
	101 610118	1	Spark Plug Cover
	102 651024	2	Solid State Mounting Stud
	103 651007	2	Screw, Torx T-15, 10-24 x 15/16"
	110 35182	1	Ground Wire
	119 36443	1	* Cylinder Head Gasket
	120 36441	1	Cylinder Head (Incl. 130)
	125 36471	1	Exhaust Valve (Std.) (Incl. 151)
	125 36472	1	Exhaust Valve (1/32" OS) (Incl. 151)
	126 32644A	1	Intake Valve (Std.) (Incl. 151)
	126 32645A	1	Intake Valve (1/32" OS) (Incl. 151)
	127 650691	1	Washer

Ref #	Part Number	Qty	Description
130A	6021A	2	Screw, 5/16-18 x 1-1/2"
130B	650818	1	Screw, 5/16-18 x 1-1/2"
130	650694A	5	Screw, 5/16-18 x 2"
135	35395	1	Resistor Spark Plug (RJ19LM)
150	31672	2	Valve Spring
151	31673	2	Valve Spring Cap
169	27234A	2	* Valve Cover Gasket
170	27666	1	Breather Body
171	31410	1	Breather Element
172	34146	1	Valve Cover
173	35350	1	Breather Tube
174	650783	2	Screw, 10-24 x 9/16"
178	29752	2	Nut & Lock Washer, 1/4-28
181	650870	1	Screw, 1/4-28 x 1-11/16"
182	6201	1	Screw, 1/4-28 x 7/8"
184	26756	1	* Carburetor To Intake Pipe Gasket
185	33666	1	Intake Pipe
186	32698	1	Governor Link
200	36677	1	Control Bracket (Incl. 203 thru 209A)
203	31342	1	Compression Spring
204	651029	1	Screw, Torx T-10, 5-40 x 7/16"
206	610973	1	Terminal
209	650139	2	Screw, 8-32 x 1/2"
209A	30322	2	Lock Nut, 8-32
215	32410	1	Control Knob
223A	650664	1	Screw, 1/4-20 x 1-19/32"
223	30646	1	Screw, 1/4-20 x 1-3/8"
224	33673A	1	* Intake Pipe Gasket
238	650152	2	Screw, 8-32 x 3/8"
238A	650163	2	Screw, 10-32 x 7/8"
262	650737	2	Screw, 1/4-20 x 1/2"
267	34212	1	Hold Down Bracket
268	30200	1	Screw, 10-24 x 9/16"
274	33670A	1	* Exhaust Gasket
275	33671A	1	Muffler (Incl. 274)
277	650327	2	Screw, 1/4-20 x 2-1/2"
285	36467A	1	Starter Cup
290	30705	1	Fuel Line
291	29774	1	Fuel Line
292	26460	4	Fuel Line Clamp
295	35857	1	Fuel Shut-Off Valve
298	650665	2	Screw, 1/4-15 x 7/8"
300	35584	1	Fuel Tank (Incl. 292 & 301)
301	36246	1	Fuel Cap
313	34080	1	Spacer
340	36247	1	Fuel Tank Bracket
342	650751	1	Screw, 1/4-20 x 7/16"
345	33344	1	Heat Baffle
370K	36695	1	Starter Decal
370A	36261	1	Lubrication Decal
380	631701	1	Carburetor (Incl. 184)
400	36444	1	* Gasket Set (Incl. items marked PK in notes) Incl. part #'s 26756 (1), 27234A (2), 27272A (1), 27677A (1), 29673 (1), 33670A (1), 33673A (1), 36443 (1)
420	730225	1	SAE 30 4-Cycle Engine Oil (Quart)



Ref #	Part Number	Qty	Description
16	31510	1	Governor Lever
18	651018	1	Screw, Torx T-15, 8-32 x 19/64"
23	28458	1	Ball Bearing
26A	650926	1	Screw, 8-32 x 21/64"
27	28539	1	Bearing Retainer
70	30756C	1	Cylinder Cover (Incl. 75 thru 86 & 31 1)
74	30200	2	Screw, 10-24 x 9/16"
74A	28537	2	Washer
75	28540	1	Oil Seal
86	650488	7	Screw, 1/4-20 x 1-1/4"
89	610961	1	Flywheel Key
130A	6021A	2	Screw, 5/16-18 x 1-1/2"
130B	650818	1	Screw, 5/16-18 x 1-1/2"
171	31410	1	Breather Element
172	34146	1	Valve Cover
174	650783	2	Screw, 10-24 x 9/16"
178	29752	2	Nut & Lock Washer, 1/4-28
181	650870	1	Screw, 1/4-28 x 1-11/16"
209A	30322	2	Lock Nut, 8-32
209	650139	2	Screw, 8-32 x 1/2"
223A	650664	1	Screw, 1/4-20 x 1-19/32"
227	31431	1	Air Cleaner Elbow
238A	650163	2	Screw, 10-32 x 7/8"
238	650152	2	Screw, 8-32 x 3/8"
239	27272A	1	* Air Cleaner Gasket
242	31914	1	Air Cleaner Base
243	28820	2	Screw, 10-32 x 1/2"
245	31700	1	Air Cleaner Filter
250	31715	1	Air Cleaner Cover
262	650737	2	Screw, 1/4-20 x 1/2"
274	33670A	1	* Exhaust Gasket
277	650327	2	Screw, 1/4-20 x 2-1/2"
311	27625	2	Oil Fill Plug
370K	36695	1	Starter Decal
380	631701	1	Carburetor (Incl. 184)



Ref #	Part Number	Qty	Description
26A	650926	1	Screw, 8-32 x 21/64"
90	611195	1	Flywheel
92	650815	1	Belleville Washer
93	650816	1	Flywheel Nut
100	34443A	1	Solid State Ignition
101	610118	1	Spark Plug Cover
102	651024	2	Solid State Mounting Stud
103	651007	2	Screw, Torx T-15, 10-24 x 15/16"
130A	6021A	2	Screw, 5/16-18 x 1-1/2"
130B	650818	1	Screw, 5/16-18 x 1-1/2"
181	650870	1	Screw, 1/4-28 x 1-11/16"
209	650139	2	Screw, 8-32 x 1/2"
209A	30322	2	Lock Nut, 8-32
223A	650664	1	Screw, 1/4-20 x 1-19/32"
238	650152	2	Screw, 8-32 x 3/8"
238A	650163	2	Screw, 10-32 x 7/8"
260	35585	1	Blower Housing
262	650737	2	Screw, 1/4-20 x 1/2"
285	36467A	1	Starter Cup
287	650926	2	Screw, 8-32 x 21/64"
313	34080	1	Spacer
370J	35703	1	Throttle Decal
370K	36695	1	Starter Decal
390	590732	1	Rewind Starter (NOTE: This engine could have been built with 590738 starter.)