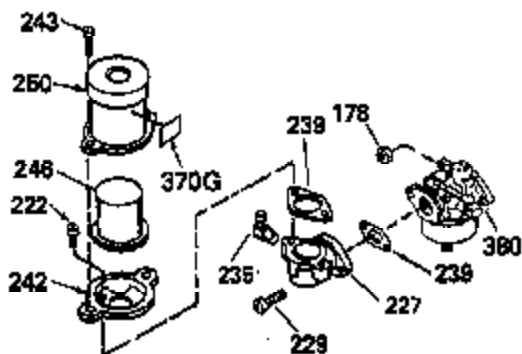
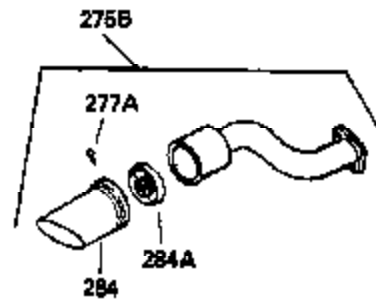
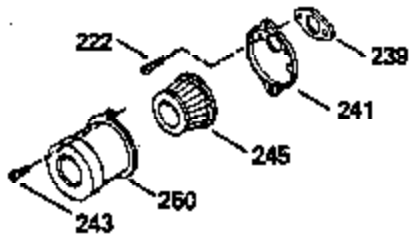
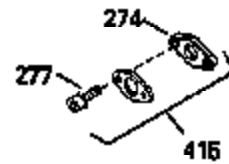
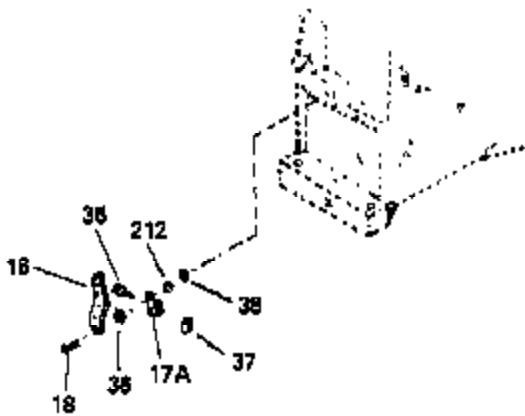
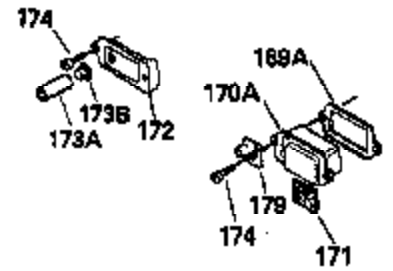
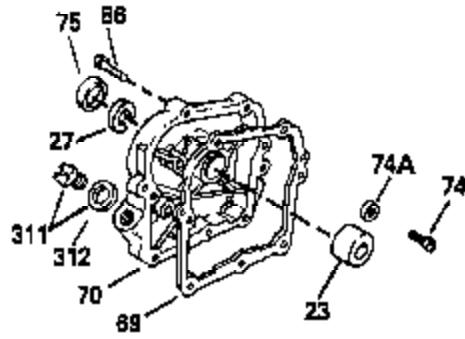
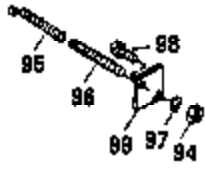




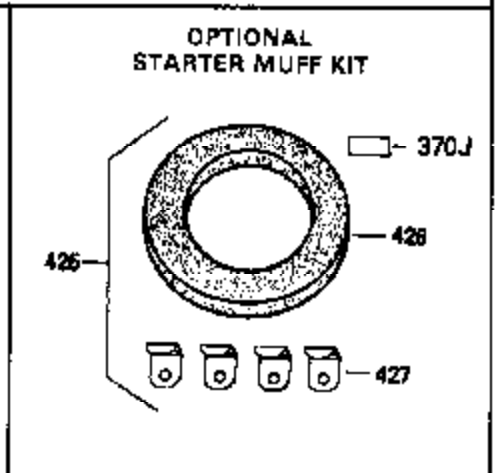
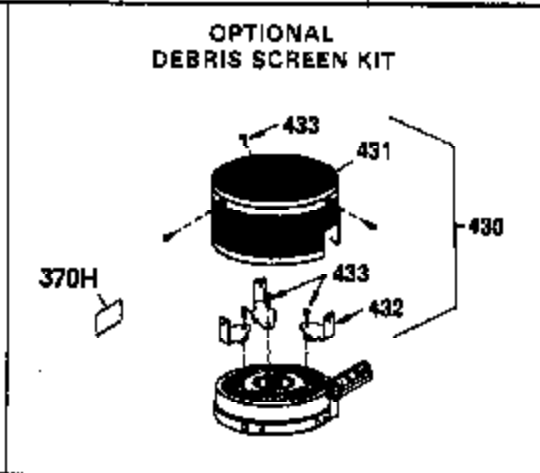
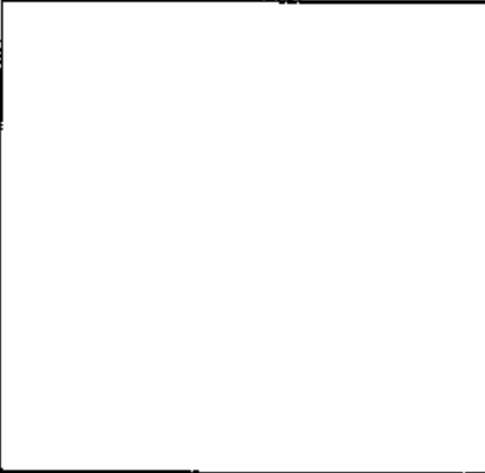
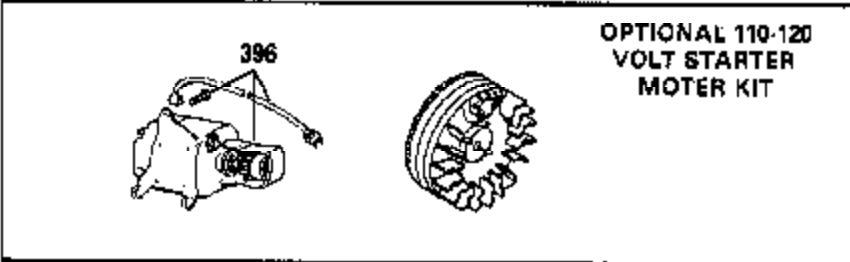
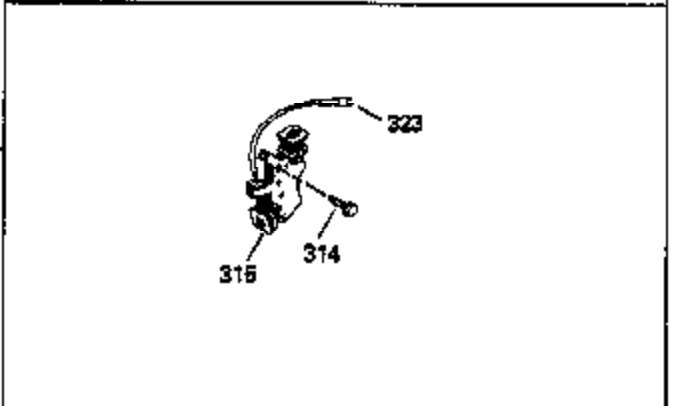
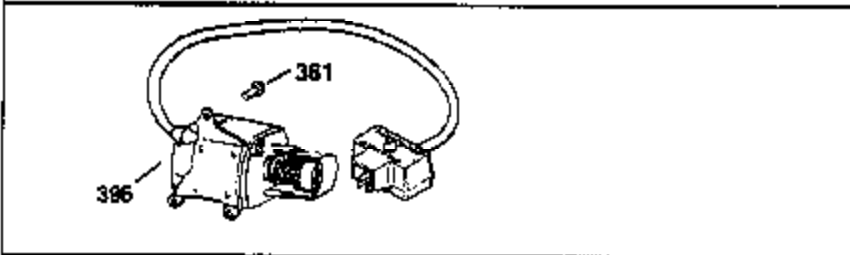
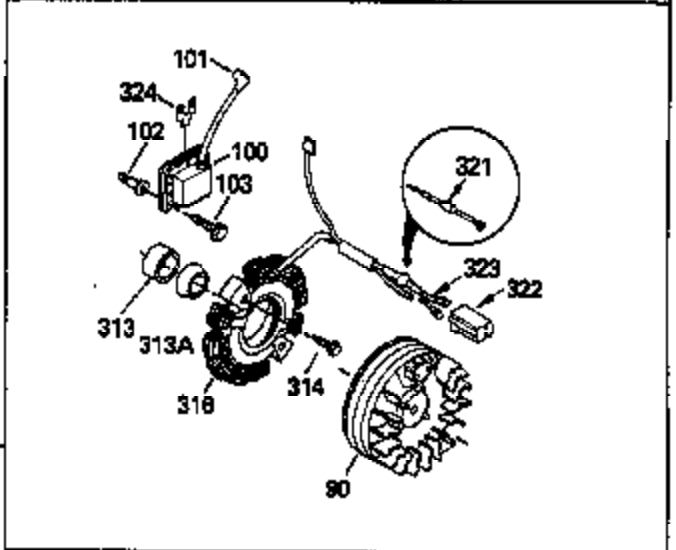
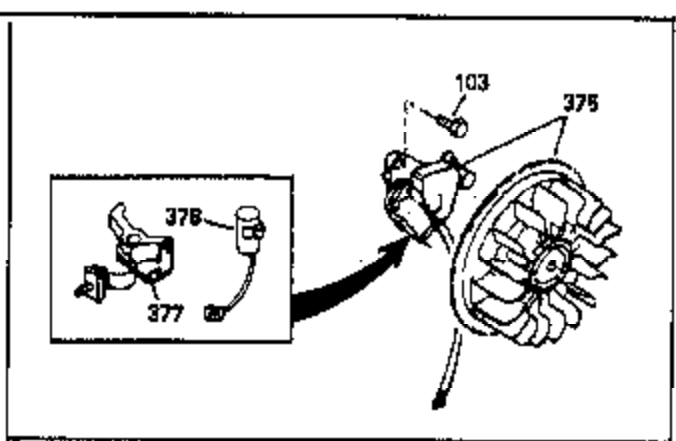
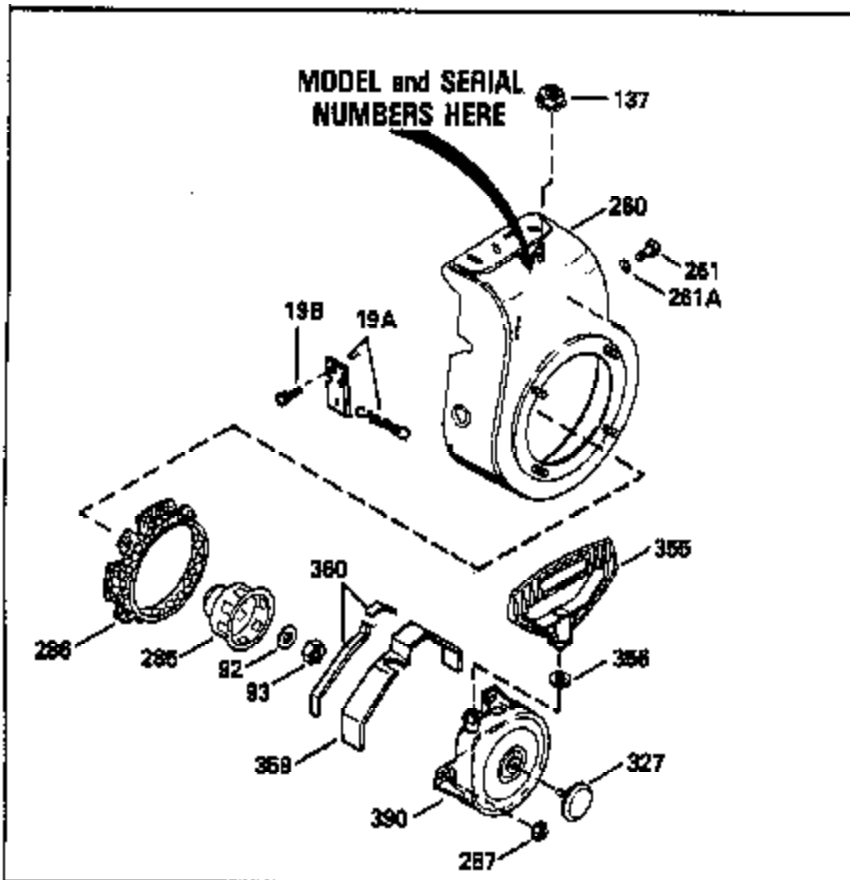
Ref #	Part Number	Qty	Description
1	36469A	1	Cylinder (Incl. 2,20,72 & 125)
2	26727	2	Dowel Pin
4	34171	1	Oil Drain Extension
5	30969	1	Extension Cap
14	28277	1	Washer
15	31334	1	Governor Rod
16	31510	1	Governor Lever
17	31335	1	Governor Lever Clamp
18	650548	1	Screw, 8-32 x 5/16"
19	31426	1	Extension Spring
20	32600	1	Oil Seal
25A	35883	1	Baffle Extension
25	36552	1	Blower Housing Baffle (Incl. 262)
26A	650926	1	Screw, 8-32 x 21/64"
26	650802	2	Screw, 1/4-20 x 5/8"
30	36421	1	Crankshaft
40	36073	1	Piston, Pin & Ring Set (Std.)
40	36074	1	Piston, Pin & Ring Set (.010" OS)
40	36075	1	Piston, Pin & Ring Set (.020" OS)
41	36070	1	Piston & Pin Ass'y. (Std.) (Incl. 43)
41	36071	1	Piston & Pin Ass'y. (.010" OS) (Incl. 43)
41	36072	1	Piston & Pin Ass'y. (.020" OS) (Incl. 43)
42	36076	1	Ring Set (Std.)
42	36077	1	Ring Set (.010" OS)
42	36078	1	Ring Set (.020" OS)
43	20381	2	Piston Pin Retaining Ring
45	32875	1	Connecting Rod Ass'y. (Incl. 46 & 49)
46	32610A	2	Connecting Rod Bolt
48	27241	2	Valve Lifter
49	32654	1	Oil Dipper
50	33158	1	Camshaft (BCR)
60	29745	1	Blower Housing Extension
64A	8345	1	Washer
64	30063	1	Screw, Torx T-30, 1/4-20 x 1/2"
65	650128	1	Screw, 10-24 x 1/2"
69	27677A	1	* Cylinder Cover Gasket
70	34674C	1	Cylinder Cover (Incl. 75 thru 83)
72	27642	1	Oil Drain Plug
75	27897	1	Oil Seal
80	30574A	1	Governor Shaft
81	30590A	1	Washer
82	30591	1	Governor Gear Ass'y. (Incl. 81)
83	30588A	1	Governor Spool
86	650488	7	Screw, 1/4-20 x 1-1/4"
89	610961	1	Flywheel Key
90	611195	1	Flywheel
92	650815	1	Belleville Washer
93	650816	1	Flywheel Nut
100	34443A	1	Solid State Ignition
101	610118	1	Spark Plug Cover
102	650872	2	Solid State Mounting Stud
103	650814	2	Screw, Torx T-15, 10-24 x 1"
110	35182	1	Ground Wire
118	35515	1	Rope Guard
119	36443	1	* Cylinder Head Gasket
120	36441	1	Cylinder Head (Incl. 131)
125	36471	1	Exhaust Valve (Std.) (Incl. 151)
125	36472	1	Exhaust Valve (1/32" OS) (Incl. 151)

Ref #	Part Number	Qty	Description
126	32644A	1	Intake Valve (Std.) (Incl. 151)
126	32645A	1	Intake Valve (1/32" OS) (Incl. 151)
127	650691	1	Washer
129	650818	1	Screw, 5/16-18 x 1-1/2"
130	6021A	2	Screw, 5/16-18 x 1-1/2"
131	650694A	5	Screw, 5/16-18 x 2"
135	33636	1	Resistor Spark Plug (J8C)
150	31672	2	Valve Spring
151	31673	2	Valve Spring Cap
169	27234A	2	* Valve Cover Gasket
170	27666	1	Breather Body
171	31410	1	Breather Element
172	34146	1	Valve Cover
173	35350	1	Breather Tube
174	30200	2	Screw, 10-24 x 9/16"
178	29752	2	Nut & Lock Washer, 1/4-28
181	650870	1	Screw, 1/4-28 x 1-11/16"
182	6201	1	Screw, 1/4-28 x 7/8"
184	26756	1	* Carburetor To Intake Pipe Gasket
185	33666	1	Intake Pipe
186	32698	1	Governor Link
200	33858A	1	Control Bracket (Incl.203,204,206,209 ,209A)
203	31342	1	Compression Spring
204	650549	1	Screw, 5-40 x 7/16"
206	610973	1	Terminal
209A	30322	2	Lock Nut, 8-32
209	650139	2	Screw, 8-32 x 1/2"
215	32410	1	Control Knob
223A	650664	1	Screw, 1/4-20 x 1-19/32"
223	30646	1	Screw, 1/4-20 x 1-3/8"
224	33673A	1	* Intake Pipe Gasket
238	650152	2	Screw, 8-32 x 3/8"
245A	35974	1	Air Cleaner Filter
262	650737	2	Screw, 1/4-20 x 1/2"
267	34212	1	Hold Down Bracket
268	30200	1	Screw, 10-24 x 9/16"
274	33670A	1	* Exhaust Gasket
275	35771	1	Muffler (Incl. 274)
277	650327	2	Screw, 1/4-20 x 2-1/2"
285	36467A	1	Starter Cup
290	30962	1	Fuel Line
292	26460	2	Fuel Line Clamp
298	650665	2	Screw, 1/4-15 x 7/8"
300	35591	1	Fuel Tank (Incl. 292 & 301)
301	35355	1	Fuel Cap
305	35554	1	Oil Fill Tube
307	35499	1	"O"-Ring
308	35539	1	Fill Tube Clip
310	35556	1	Dipstick
313	34080	1	Spacer
327	35392	1	Starter Plug
340	35230	1	Fuel Tank Bracket
342	650751	1	Screw, 1/4-20 x 7/16"
370A	35703	1	Control Decal
370	36261	1	Lubrication Decal
380	631923	1	Carburetor (Incl. 184)

Ref #	Part Number	Qty	Description
400	36444	1	* Gasket Set (Incl. items marked PK i n notes) Incl. part #'s 26756 (1), 27234A (2), 27272A (1), 27677A (1), 29673 (1), 33670A (1), 33673A (1), 36443 (1)
420	730225	1	SAE 30 4-Cycle Engine Oil (Quart)



Ref #	Part Number	Qty	Description
16	31510	1	Governor Lever
18	650548	1	Screw, 8-32 x 5/16"
26A	650926	1	Screw, 8-32 x 21/64"
70	34674C	1	Cylinder Cover (Incl. 75 thru 83)
75	27897	1	Oil Seal
86	650488	7	Screw, 1/4-20 x 1-1/4"
89	610961	1	Flywheel Key
118	35515	1	Rope Guard
171	31410	1	Breather Element
172	34146	1	Valve Cover
174	30200	2	Screw, 10-24 x 9/16"
178	29752	2	Nut & Lock Washer, 1/4-28
181	650870	1	Screw, 1/4-28 x 1-11/16"
209A	30322	2	Lock Nut, 8-32
209	650139	2	Screw, 8-32 x 1/2"
223A	650664	1	Screw, 1/4-20 x 1-19/32"
238	650152	2	Screw, 8-32 x 3/8"
239	27272A	1	* Air Cleaner Gasket
242	31914	1	Air Cleaner Base
243	28820	2	Screw, 10-32 x 1/2"
245	30727	1	Air Cleaner Filter
245A	35974	1	Air Cleaner Filter
250	31715	1	Air Cleaner Cover
262	650737	2	Screw, 1/4-20 x 1/2"
274	33670A	1	* Exhaust Gasket
277	650327	2	Screw, 1/4-20 x 2-1/2"
380	631923	1	Carburetor (Incl. 184)



Ref #	Part Number	Qty	Description
26A	650926	1	Screw, 8-32 x 21/64"
90	611195	1	Flywheel
92	650815	1	Belleville Washer
93	650816	1	Flywheel Nut
100	34443A	1	Solid State Ignition
101	610118	1	Spark Plug Cover
102	650872	2	Solid State Mounting Stud
103	650814	2	Screw, Torx T-15, 10-24 x 1"
118	35515	1	Rope Guard
137	29752	1	Lock Nut
181	650870	1	Screw, 1/4-28 x 1-11/16"
209	650139	2	Screw, 8-32 x 1/2"
209A	30322	2	Lock Nut, 8-32
223A	650664	1	Screw, 1/4-20 x 1-19/32"
238	650152	2	Screw, 8-32 x 3/8"
245A	35974	1	Air Cleaner Filter
260	35657	1	Blower Housing
262	650737	2	Screw, 1/4-20 x 1/2"
285	36467A	1	Starter Cup
287	650926	2	Screw, 8-32 x 21/64"
313	34080	1	Spacer
327	35392	1	Starter Plug
390	590732	1	Rewind Starter (NOTE: This engine could have been built with 590688 starter. Refer to the design of the air intake louvers for part identification. Individual starter parts do not interchange.)