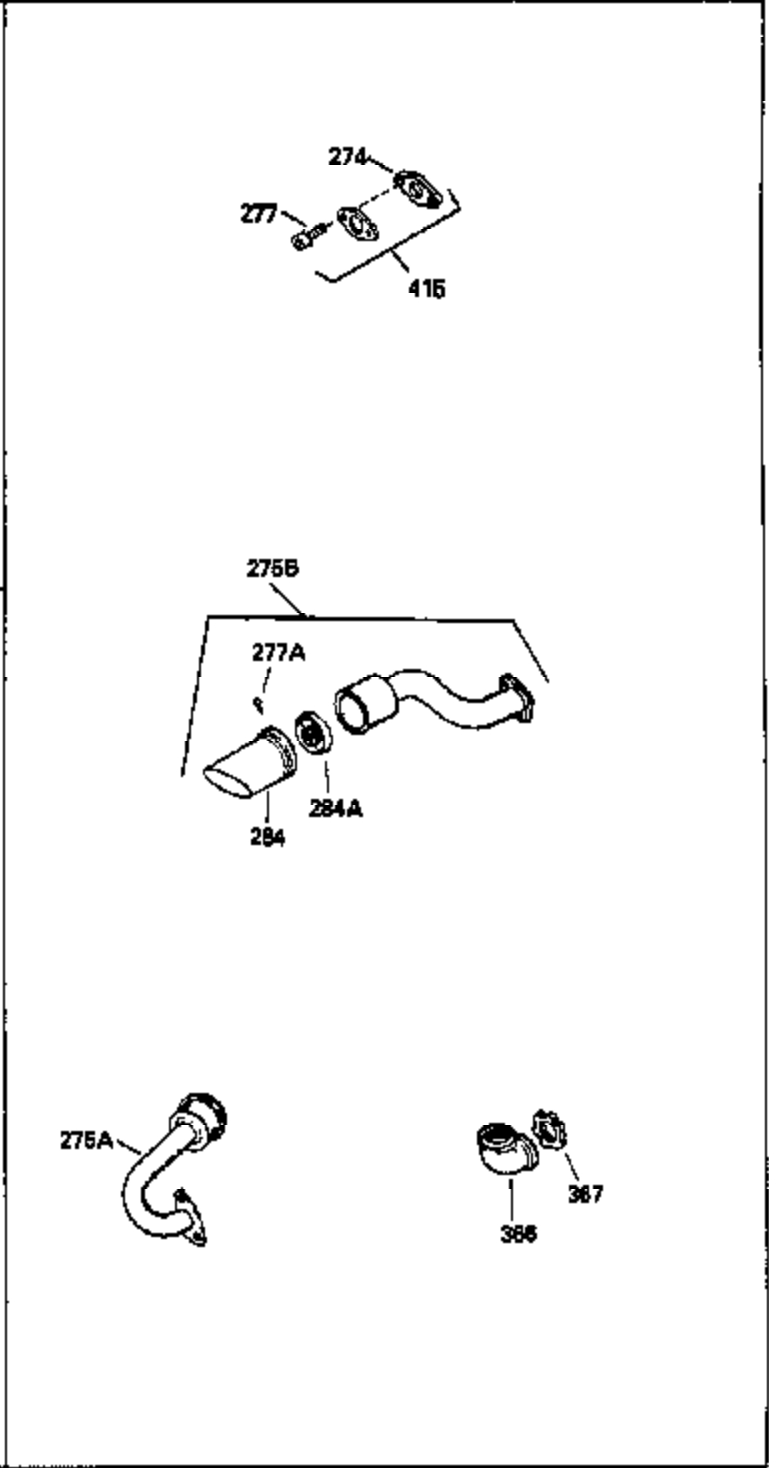
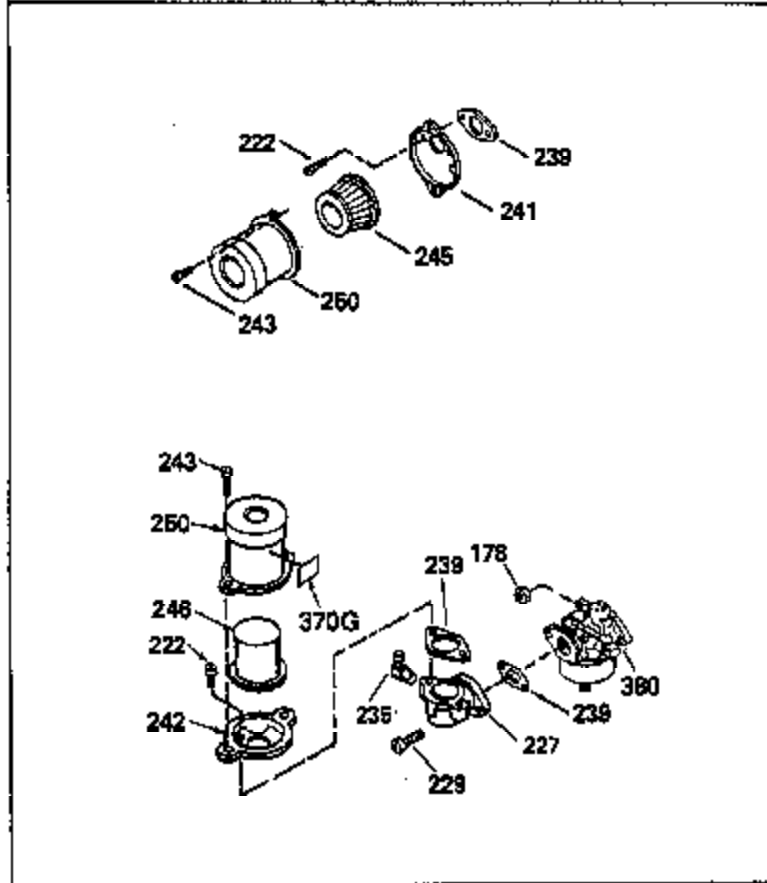
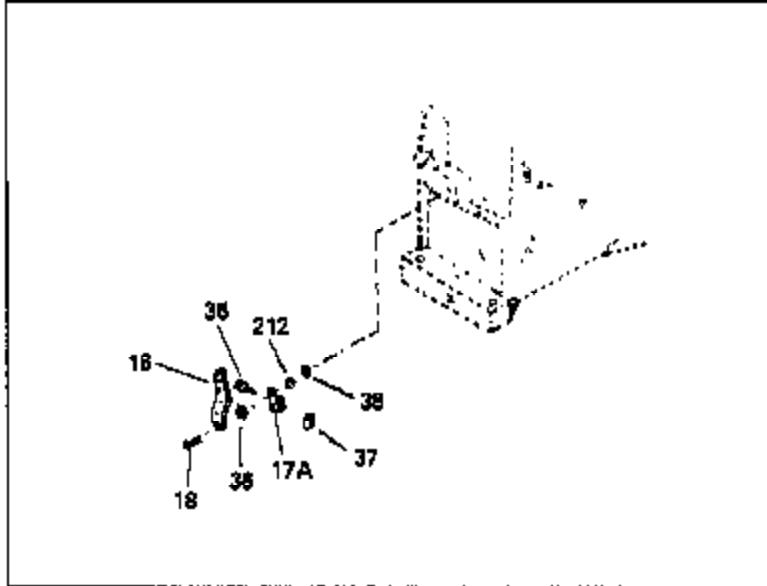
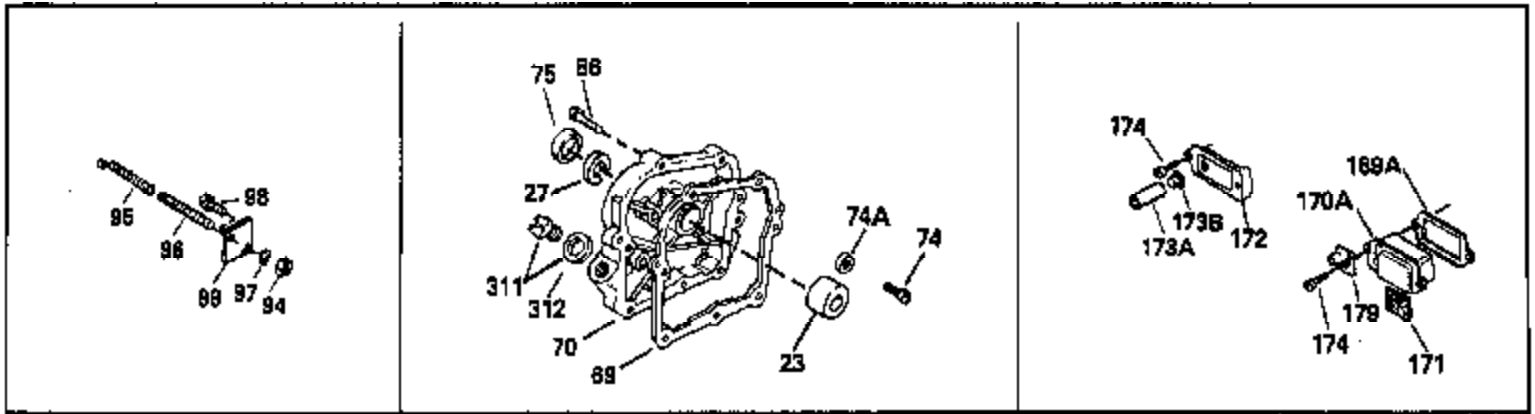


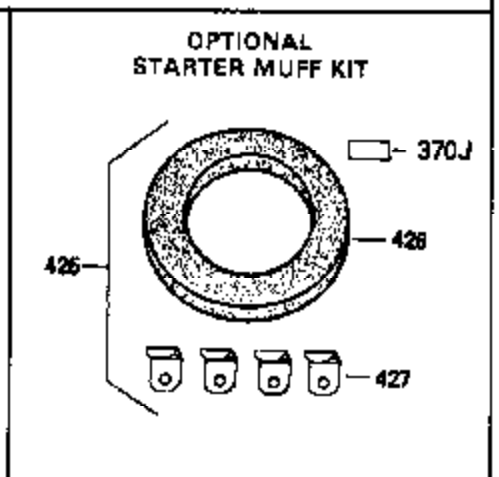
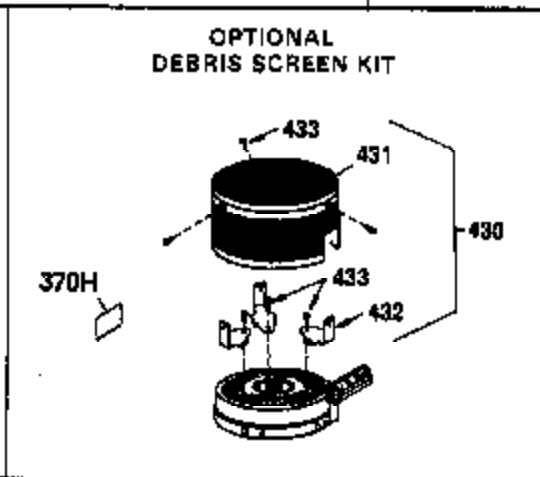
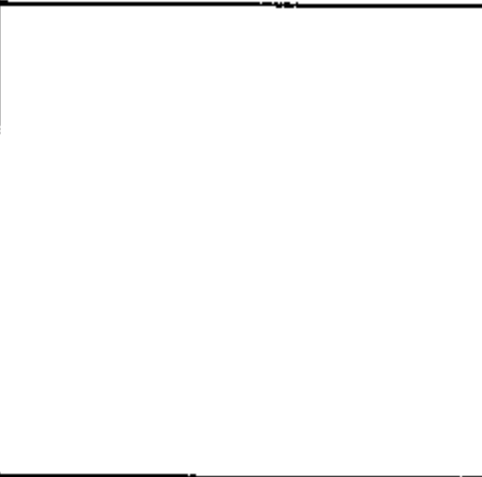
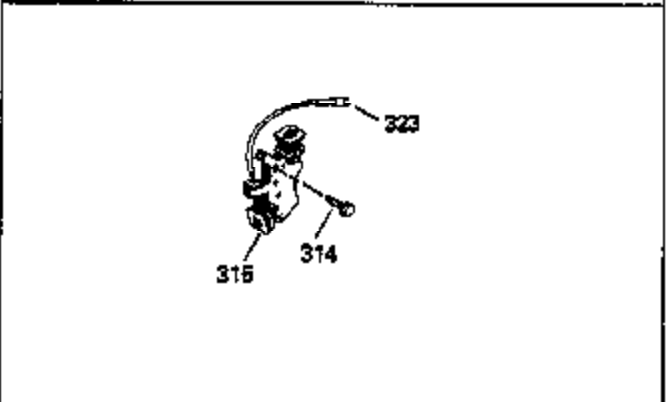
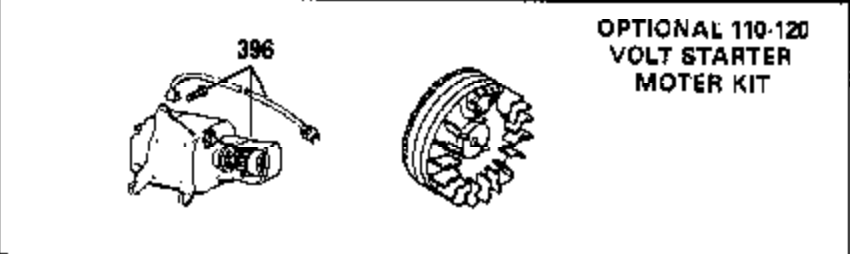
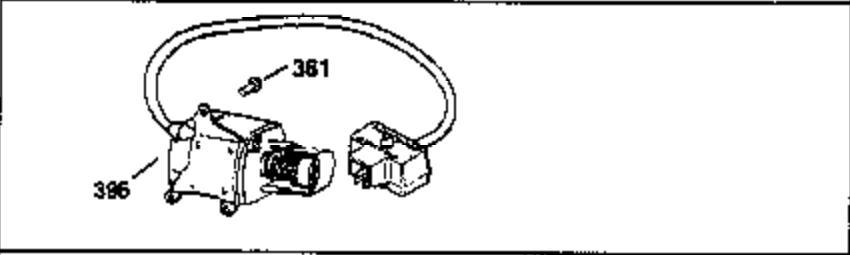
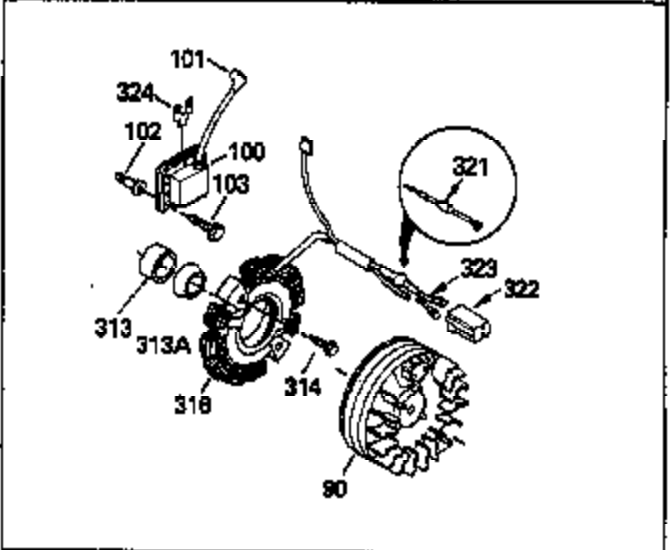
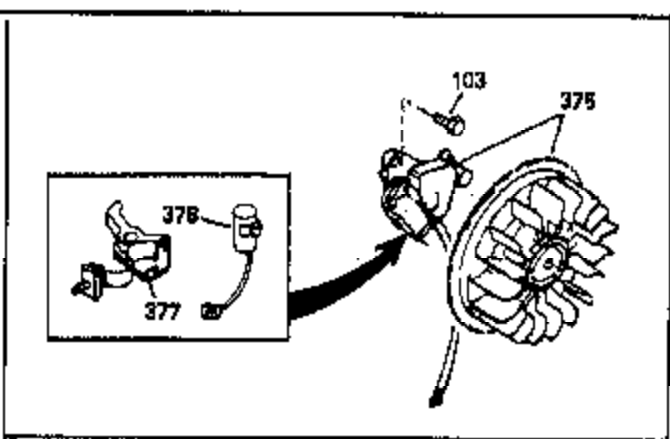
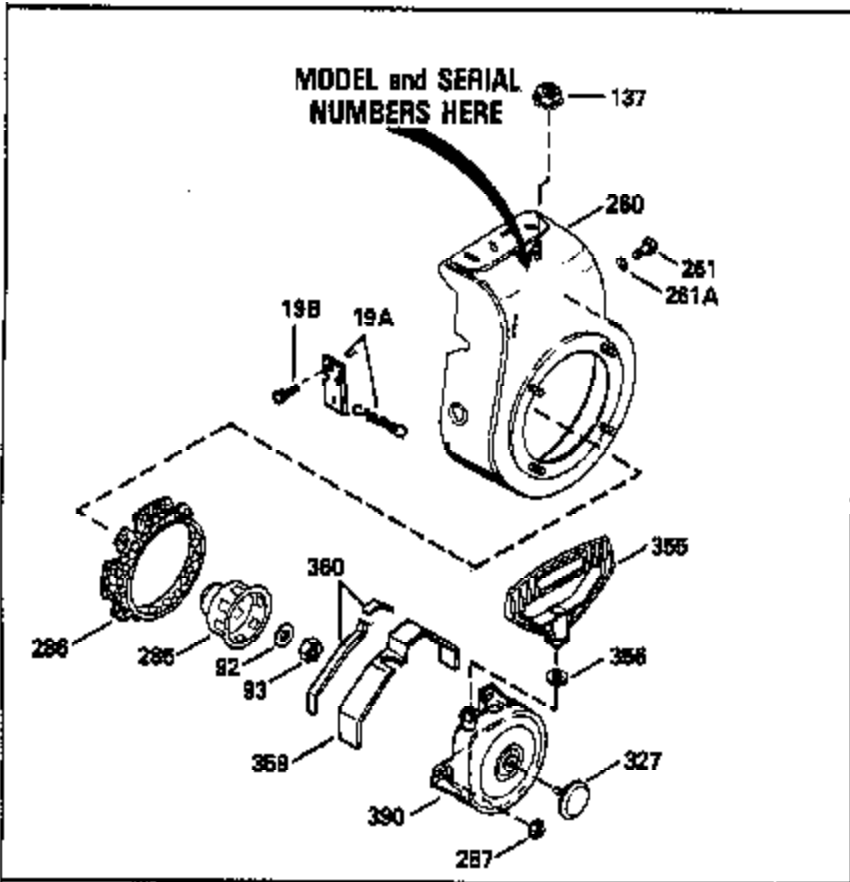
| Ref # | Part Number | Qty | Description |
|-------|-------------|-----|--|
| 1 | 36469A | 1 | Cylinder (Incl. 2,20,72 & 125) |
| 2 | 26727 | 2 | Dowel Pin |
| 4 | 0 | 1 | Oil Drain Extension (Can Be Purchased Local) |
| 5 | 30969 | 1 | Extension Cap |
| 14 | 28277 | 1 | Washer |
| 15 | 31334 | 1 | Governor Rod |
| 16 | 31510 | 1 | Governor Lever |
| 17 | 31335 | 1 | Governor Lever Clamp |
| 18 | 651018 | 1 | Screw, Torx T-15, 8-32 x 19/64" |
| 19 | 31426 | 1 | Extension Spring |
| 20 | 32600 | 1 | Oil Seal |
| 25A | 35883 | 1 | Baffle Extension |
| 25 | 36552 | 1 | Blower Housing Baffle (Incl. 262) |
| 26A | 650926 | 1 | Screw, 8-32 x 21/64" |
| 26 | 650802 | 2 | Screw, 1/4-20 x 5/8" |
| 30 | 36831 | 1 | Crankshaft |
| 40 | 36073 | 1 | Piston, Pin & Ring Set (Std.) |
| 40 | 36074 | 1 | Piston, Pin & Ring Set (.010" OS) |
| 40 | 36075 | 1 | Piston, Pin & Ring Set (.020" OS) |
| 41 | 36070 | 1 | Piston & Pin Ass'y. (Std.) (Incl. 43) |
| 41 | 36071 | 1 | Piston & Pin Ass'y. (.010" OS) (Incl. 43) |
| 41 | 36072 | 1 | Piston & Pin Ass'y. (.020" OS) (Incl. 43) |
| 42 | 36076 | 1 | Ring Set (Std.) |
| 42 | 36077 | 1 | Ring Set (.010" OS) |
| 42 | 36078 | 1 | Ring Set (.020" OS) |
| 43 | 20381 | 2 | Piston Pin Retaining Ring |
| 45 | 32875A | 1 | Connecting Rod Ass'y. (Incl. 46 & 49) |
| 46 | 32610A | 2 | Connecting Rod Bolt |
| 48 | 27241 | 2 | Valve Lifter |
| 49 | 32654 | 1 | Oil Dipper |
| 50 | 33158 | 1 | Camshaft (BCR) |
| 60 | 29745 | 1 | Blower Housing Extension |
| 64A | 8345 | 1 | Washer |
| 64 | 30063 | 1 | Screw, Torx T-30, 1/4-20 x 1/2" |
| 65 | 650128 | 1 | Screw, 10-24 x 1/2" |
| 69 | 27677A | 1 | * Cylinder Cover Gasket |
| 70 | 34674C | 1 | Cylinder Cover (Incl. 75 thru 83) |
| 75 | 27897 | 1 | Oil Seal |
| 80 | 30574A | 1 | Governor Shaft |
| 81 | 30590A | 1 | Washer |
| 82 | 30591 | 1 | Governor Gear Ass'y. (Incl. 81) |
| 83 | 30588A | 1 | Governor Spool |
| 86 | 650488 | 7 | Screw, 1/4-20 x 1-1/4" |
| 89 | 610961 | 1 | Flywheel Key |
| 90 | 611195 | 1 | Flywheel |
| 92 | 650815 | 1 | Belleville Washer |
| 93 | 650816 | 1 | Flywheel Nut |
| 100 | 34443A | 1 | Solid State Ignition |
| 101 | 610118 | 1 | Spark Plug Cover |
| 102 | 650872 | 2 | Solid State Mounting Stud |
| 103 | 651007 | 2 | Screw, Torx T-15, 10-24 x 15/16" |
| 110 | 35182 | 1 | Ground Wire |
| 118 | 35515 | 1 | Rope Guard |
| 119 | 36443 | 1 | * Cylinder Head Gasket |
| 120 | 36441 | 1 | Cylinder Head (Incl. 131) |
| 125 | 36471 | 1 | Exhaust Valve (Std.) (Incl. 151) |
| 125 | 36472 | 1 | Exhaust Valve (1/32" OS) (Incl. 151) |
| 126 | 32644A | 1 | Intake Valve (Std.) (Incl. 151) |

| Ref # | Part Number | Qty | Description |
|-------|-------------|-----|---------------------------------------|
| 126 | 32645A | 1 | Intake Valve (1/32" OS) (Incl. 151) |
| 127 | 650691 | 1 | Washer |
| 130B | 650818 | 1 | Screw, 5/16-18 x 1-1/2" |
| 130 | 650694A | 5 | Screw, 5/16-18 x 2" |
| 130A | 6021A | 2 | Screw, 5/16-18 x 1-1/2" |
| 135 | 33636 | 1 | Resistor Spark Plug (RJ17LM) |
| 150 | 31672 | 2 | Valve Spring |
| 151 | 31673 | 2 | Valve Spring Cap |
| 169 | 27234A | 2 | * Valve Cover Gasket |
| 170 | 27666 | 1 | Breather Body |
| 171 | 31410 | 1 | Breather Element |
| 172 | 34146 | 1 | Valve Cover |
| 173 | 35350 | 1 | Breather Tube |
| 174 | 30200 | 2 | Screw, 10-24 x 9/16" |
| 178 | 29752 | 2 | Nut & Lock Washer, 1/4-28 |
| 181 | 650870 | 1 | Screw, 1/4-28 x 1-11/16" |
| 182 | 6201 | 1 | Screw, 1/4-28 x 7/8" |
| 184 | 26756 | 1 | * Carburetor To Intake Pipe Gasket |
| 185 | 33666 | 1 | Intake Pipe |
| 186 | 32698 | 1 | Governor Link |
| 200 | 36677 | 1 | Control Bracket (Incl. 203 thru 209A) |
| 203 | 31342 | 1 | Compression Spring |
| 204 | 651029 | 1 | Screw, 5-40 x 7/16" |
| 206 | 610973 | 1 | Terminal |
| 209A | 30322 | 2 | Lock Nut, 8-32 |
| 209 | 650139 | 2 | Screw, 8-32 x 1/2" |
| 215 | 32410 | 1 | Control Knob |
| 223 | 30646 | 1 | Screw, 1/4-20 x 1-3/8" |
| 223A | 650664 | 1 | Screw, 1/4-20 x 1-19/32" |
| 224 | 33673A | 1 | * Intake Pipe Gasket |
| 238 | 650152 | 2 | Screw, 8-32 x 3/8" |
| 245A | 35974 | 1 | Air Cleaner Filter |
| 262 | 650737 | 2 | Screw, 1/4-20 x 1/2" |
| 267 | 34212 | 1 | Hold Down Bracket |
| 268 | 30200 | 1 | Screw, 10-24 x 9/16" |
| 274 | 33670A | 1 | * Exhaust Gasket |
| 275 | 35771 | 1 | Muffler |
| 277 | 650327 | 2 | Screw, 1/4-20 x 2-1/2" |
| 285 | 36467A | 1 | Starter Cup |
| 290 | 30962 | 1 | Fuel Line |
| 292 | 26460 | 2 | Fuel Line Clamp |
| 298 | 650665 | 2 | Screw, 1/4-15 x 7/8" |
| 300 | 35591 | 1 | Fuel Tank (Incl. 292 & 301) |
| 301 | 36246 | 1 | Fuel Cap |
| 305 | 35554 | 1 | Oil Fill Tube |
| 307 | 35499 | 1 | "O"-Ring |
| 308 | 35539 | 1 | Fill Tube Clip |
| 310 | 35556 | 1 | Dipstick |
| 313 | 34080 | 1 | Spacer |
| 340 | 35230 | 1 | Fuel Tank Bracket |
| 342 | 650751 | 1 | Screw, 1/4-20 x 7/16" |
| 370B | 35703 | 1 | Control Decal |
| 370A | 36261 | 1 | Lubrication Decal |
| 370K | 36695 | 1 | Starter Decal |
| 380 | 631923 | 1 | Carburetor (Incl. 184) |

| Ref # | Part Number | Qty | Description |
|-------|-------------|-----|---|
| 400 | 36444 | 1 | * Gasket Set (Incl. items marked PK i n notes) Incl. part #'s 26756 (1), 27234A (2), 27272A (1), 27677A (1), 29673 (1), 33670A (1), 33673A (1), 36443 (1) |
| 420 | 730225 | 1 | SAE 30 4-Cycle Engine Oil (Quart) |



| Ref # | Part Number | Qty | Description |
|-------|-------------|-----|-----------------------------------|
| 16 | 31510 | 1 | Governor Lever |
| 18 | 651018 | 1 | Screw, Torx T-15, 8-32 x 19/64" |
| 26A | 650926 | 1 | Screw, 8-32 x 21/64" |
| 70 | 34674C | 1 | Cylinder Cover (Incl. 75 thru 83) |
| 75 | 27897 | 1 | Oil Seal |
| 86 | 650488 | 7 | Screw, 1/4-20 x 1-1/4" |
| 89 | 610961 | 1 | Flywheel Key |
| 118 | 35515 | 1 | Rope Guard |
| 130A | 6021A | 2 | Screw, 5/16-18 x 1-1/2" |
| 130B | 650818 | 1 | Screw, 5/16-18 x 1-1/2" |
| 171 | 31410 | 1 | Breather Element |
| 172 | 34146 | 1 | Valve Cover |
| 174 | 30200 | 2 | Screw, 10-24 x 9/16" |
| 178 | 29752 | 2 | Nut & Lock Washer, 1/4-28 |
| 181 | 650870 | 1 | Screw, 1/4-28 x 1-11/16" |
| 209A | 30322 | 2 | Lock Nut, 8-32 |
| 209 | 650139 | 2 | Screw, 8-32 x 1/2" |
| 223A | 650664 | 1 | Screw, 1/4-20 x 1-19/32" |
| 238 | 650152 | 2 | Screw, 8-32 x 3/8" |
| 239 | 27272A | 1 | * Air Cleaner Gasket |
| 242 | 31914 | 1 | Air Cleaner Base |
| 243 | 28820 | 2 | Screw, 10-32 x 1/2" |
| 245 | 30727 | 1 | Air Cleaner Filter |
| 245A | 35974 | 1 | Air Cleaner Filter |
| 250 | 31715 | 1 | Air Cleaner Cover |
| 262 | 650737 | 2 | Screw, 1/4-20 x 1/2" |
| 274 | 33670A | 1 | * Exhaust Gasket |
| 277 | 650327 | 2 | Screw, 1/4-20 x 2-1/2" |
| 370K | 36695 | 1 | Starter Decal |
| 380 | 631923 | 1 | Carburetor (Incl. 184) |



| Ref # | Part Number | Qty | Description |
|-------|-------------|-----|---|
| 26A | 650926 | 1 | Screw, 8-32 x 21/64" |
| 90 | 611195 | 1 | Flywheel |
| 92 | 650815 | 1 | Belleville Washer |
| 93 | 650816 | 1 | Flywheel Nut |
| 100 | 34443A | 1 | Solid State Ignition |
| 101 | 610118 | 1 | Spark Plug Cover |
| 102 | 650872 | 2 | Solid State Mounting Stud |
| 103 | 651007 | 2 | Screw, Torx T-15, 10-24 x 15/16" |
| 118 | 35515 | 1 | Rope Guard |
| 130A | 6021A | 2 | Screw, 5/16-18 x 1-1/2" |
| 130B | 650818 | 1 | Screw, 5/16-18 x 1-1/2" |
| 137 | 29752 | 1 | Lock Nut |
| 181 | 650870 | 1 | Screw, 1/4-28 x 1-11/16" |
| 209 | 650139 | 2 | Screw, 8-32 x 1/2" |
| 209A | 30322 | 2 | Lock Nut, 8-32 |
| 223A | 650664 | 1 | Screw, 1/4-20 x 1-19/32" |
| 238 | 650152 | 2 | Screw, 8-32 x 3/8" |
| 245A | 35974 | 1 | Air Cleaner Filter |
| 260 | 35657 | 1 | Blower Housing |
| 262 | 650737 | 2 | Screw, 1/4-20 x 1/2" |
| 285 | 36467A | 1 | Starter Cup |
| 287 | 650926 | 2 | Screw, 8-32 x 21/64" |
| 313 | 34080 | 1 | Spacer |
| 370K | 36695 | 1 | Starter Decal |
| 390 | 590732 | 1 | Rewind Starter (NOTE: This engine could have been built with 590738 starter. Refer to the design of the rope pulley strength ribs for part identification. Individual starter parts do not interchange. Refer to service bulletin 116). |