

ILLUSTRATION SHOWS TYPICAL PARTS ONLY. ORDER BY PART NUMBER. PARTS NOT LISTED ARE SUPPLIED BY OEM.

VIEW 1 OF 2



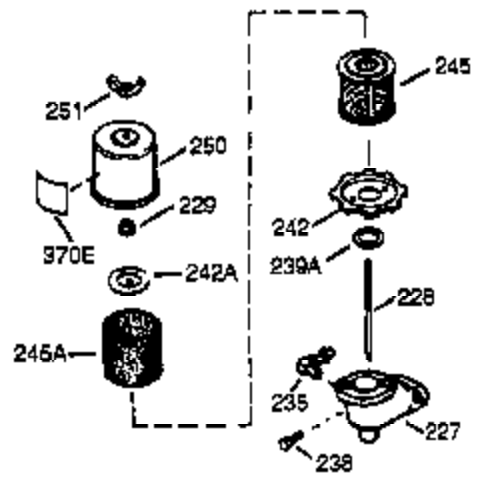
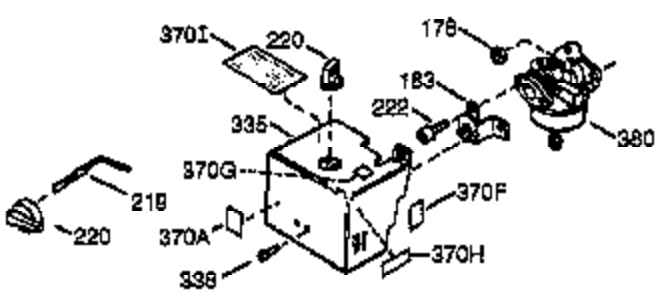
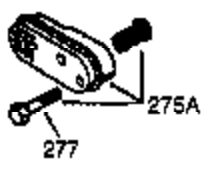
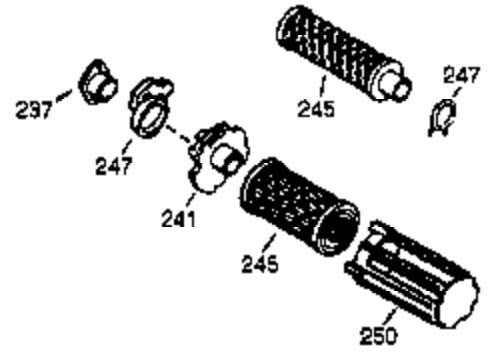
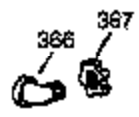
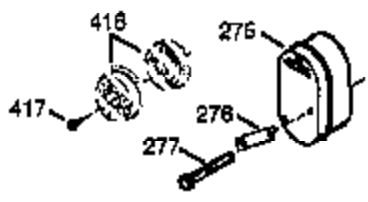
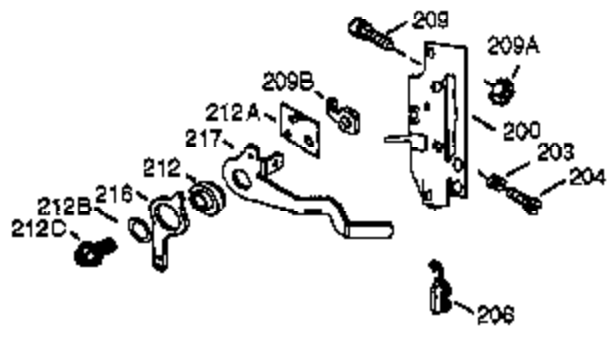
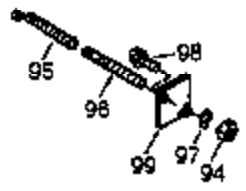
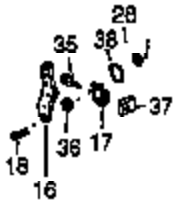
Ref #	Part Number	Qty	Description
1	34708A	1	Cylinder (Incl. 2, 20 & 72)
2	26727	2	Dowel Pin
14	28277	1	Washer
15	31334	1	Governor Rod
16	31336	1	Governor Lever
17	31335	1	Governor Lever Clamp
18	650548	1	Screw, 8-32 x 5/16"
19	34593	1	Extension Spring
20	32600	1	Oil Seal
25A	35883	1	Baffle Extension
25	33342	1	Blower Housing Baffle
26	650561	2	Screw, 1/4-20 x 5/8"
26A	650884	1	Screw, 8-32 x 1/2"
30	34709	1	Crankshaft
40	34514	1	Piston, Pin & Ring Set (Std.)
40	34515	1	Piston, Pin & Ring Set (.010" OS)
40	34516	1	Piston, Pin & Ring Set (.020" OS)
41	32538B	1	Piston & Pin Ass'y. (Std.) (Incl. 43)
41	32548B	1	Piston & Pin Ass'y. (.010" OS) (Incl. 43)
41	32549B	1	Piston & Pin Ass'y. (.020" OS) (Incl. 43)
42	28986	1	Ring Set (Std.)
42	28987	1	Ring Set (.010" OS)
42	28988	1	Ring Set (.020" OS)
43	20381	2	Piston Pin Retaining Ring
45	30963B	1	Connecting Rod Ass'y. (Incl. 46 & 49)
46	32610A	2	Connecting Rod Bolt
48	27241	2	Valve Lifter
49	28594	1	Oil Dipper
50	33149A	1	Camshaft (BCR)
60	29745	1	Blower Housing Extension
61	34126	1	Grommet Mounting Bracket
62	650760	1	Screw, 8-32 x 3/8"
63	28545	1	Grommet
65	650128	1	Screw, 10-24 x 1/2"
69	27677A	1	* Cylinder Cover Gasket
70	34683	1	Cylinder Cover (Incl. 75 & 80)
72	27642	2	Oil Drain Plug
75	26208	1	Oil Seal
80	30574	1	Governor Shaft
81	30590A	1	Washer
82	30591	1	Governor Gear Ass'y. (Incl. 81)
83	30588A	1	Governor Spool
84	29193	2	Retaining Ring
86	650488	7	Screw, 1/4-20 x 1-1/4"
89	610961	1	Flywheel Key
90	611081	1	Flywheel (W/Ring Gear)
92	650815	1	Belleville Washer
93	650863	1	Flywheel Nut
100	34443A	1	Solid State Ignition
101	610118	1	Spark Plug Cover
102	650872	2	Solid State Mounting Stud
103	650814	2	Screw, Torx T-15, 10-24 x 1"
110	35557	1	Ground Wire
119	29953C	1	* Cylinder Head Gasket
120	30579A	1	Cylinder Head (Incl. 131)
125	29313C	1	Exhaust Valve (Std.) (Incl. 151)
125	29315C	1	Exhaust Valve (1/32" OS) (Incl. 151)
126	29314B	1	Intake Valve (Std.) (Incl. 151)

Ref #	Part Number	Qty	Description
126	29315C	1	Intake Valve (1/32" OS) (Incl. 151)
129	650865	2	Screw, 5/16-18 x 2"
130	6021A	3	Screw, 5/16-18 x 1-1/2"
131	650694A	5	Screw, 5/16-18 x 2"
135	35395	1	Resistor Spark Plug (RJ19LM)
150	31672	2	Valve Spring
151	31673	2	Valve Spring Cap
169	27234A	2	* Valve Cover Gasket
170	27666	1	Breather Body
171	31410	1	Breather Element
172	34146	1	Valve Cover
173	35350	1	Breather Tube
174	650128	2	Screw, 10-24 x 1/2"
178	29752	2	Nut & Lock Washer, 1/4-28
179	30593	1	Retainer Clip
182	6201	2	Screw, 1/4-28 x 7/8"
184	31688A	1	* Carburetor To Intake Pipe Gasket
185	34597	1	Intake Pipe
186	31341	1	Governor Link
200	33858A	1	Control Bracket (Incl.203,204,206,209 & 209A)
203	31342	1	Compression Spring
204	650549	1	Screw, 5-40 x 7/16"
206	610973	1	Terminal
209A	30322	2	Lock Nut, 8-32
209	650139	2	Screw, 8-32 x 1/2"
223	650451	2	Screw, 1/4-20 x 1"
224	32649A	1	* Intake Pipe Gasket
260	35656	1	Blower Housing
262	29212	2	Screw, 1/4-28 x 7/16"
274	30081A	1	* Exhaust Gasket
275	30996	1	Muffler
277	650493	2	Screw, 1/4-20 x 1-3/4"
285	34694	1	Starter Cup
287	650884	2	Screw, 8-32 x 1/2"
290	29774	1	Fuel Line
291	30705	1	Fuel Line
292	26460	4	Fuel Line Clamp
295	35857	1	Fuel Shut-Off Valve
298	650665	2	Screw, 1/4-15 x 7/8"
300	35584	1	Fuel Tank (Incl. 292 & 301)
301	35355	1	Fuel Cap
307	35499	1	"O" Ring
308	35539	1	Fill Tube Clip
310	35556	1	Oil Plug & Cap Reference
313	34080	1	Spacer
327	35392	1	Starter Plug
336	650765	1	Screw, 10-32 x 1/2"
339	28212	2	Spacer
340	32661	1	Fuel Tank Bracket
342A	650675	2	Washer
342	30063	1	Torx T-30, 1/4-20 x 1/2"
345	32664	1	Heat Baffle
350	570682	1	Primer Ass'y.
351	32180C	1	Primer Line
370	34144	1	Primer Decal
370B	34418	1	Choke Decal
370C	34414	1	Warning Decal
370A	34346	1	Instruction Decal

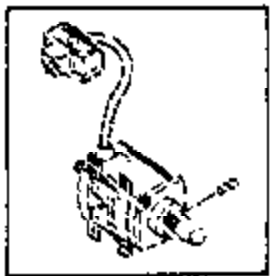
Ref #	Part Number	Qty	Description
380	632117	1	Carburetor (Incl. 184)
390	590648	1	Rewind Starter
400	33233A	1	* Gasket Set (Incl. items marked PK i n notes) Incl. part #'s 26754A (1), 26756 (1), 27234A (2), 27272A (1), 27677A (1), 29673 (2), 29953C (1), 30081A (1), 31340A (1), 31619A (1), 31688A (2), 32649A (1), 33170A (1)
420	730226	1	SAE 5W30 4-Cycle Engine Oil (Quart)

ILLUSTRATION SHOWS TYPICAL PARTS ONLY. ORDER BY PART NUMBER. PARTS NOT LISTED ARE SUPPLIED BY OEM.

VIEW 2 OF 2



OPTIONAL 110 - 120 VOLT
STARTER MOTOR KIT



396

Ref #	Part Number	Qty	Description
16	31336	1	Governor Lever
17	31335	1	Governor Lever Clamp
18	650548	1	Screw, 8-32 x 5/16"
84	29193	2	Retaining Ring
129	650865	2	Screw, 5/16-18 x 2"
131	650694A	5	Screw, 5/16-18 x 2"
178	29752	2	Nut & Lock Washer, 1/4-28
183	34587	1	Choke Bracket
200	33858A	1	Control Bracket (Incl.203,204,206,209 & 209A)
203	31342	1	Compression Spring
204	650549	1	Screw, 5-40 x 7/16"
206	610973	1	Terminal
209A	30322	2	Lock Nut, 8-32
209	650139	2	Screw, 8-32 x 1/2"
219	34594	1	Choke Rod
219	34595	1	Heat Baffle
220	35439	1	Control Knob
222	28820	2	Screw, 10-32 x 1/2"
275	30996	1	Muffler
277	650493	2	Screw, 1/4-20 x 1-3/4"
335	35122	1	Carburetor Cover
336	650765	1	Screw, 10-32 x 1/2"
338	650257	2	Screw, 8-32 x 5/16"
370A	34346	1	Instruction Decal
380	632117	1	Carburetor (Incl. 184)