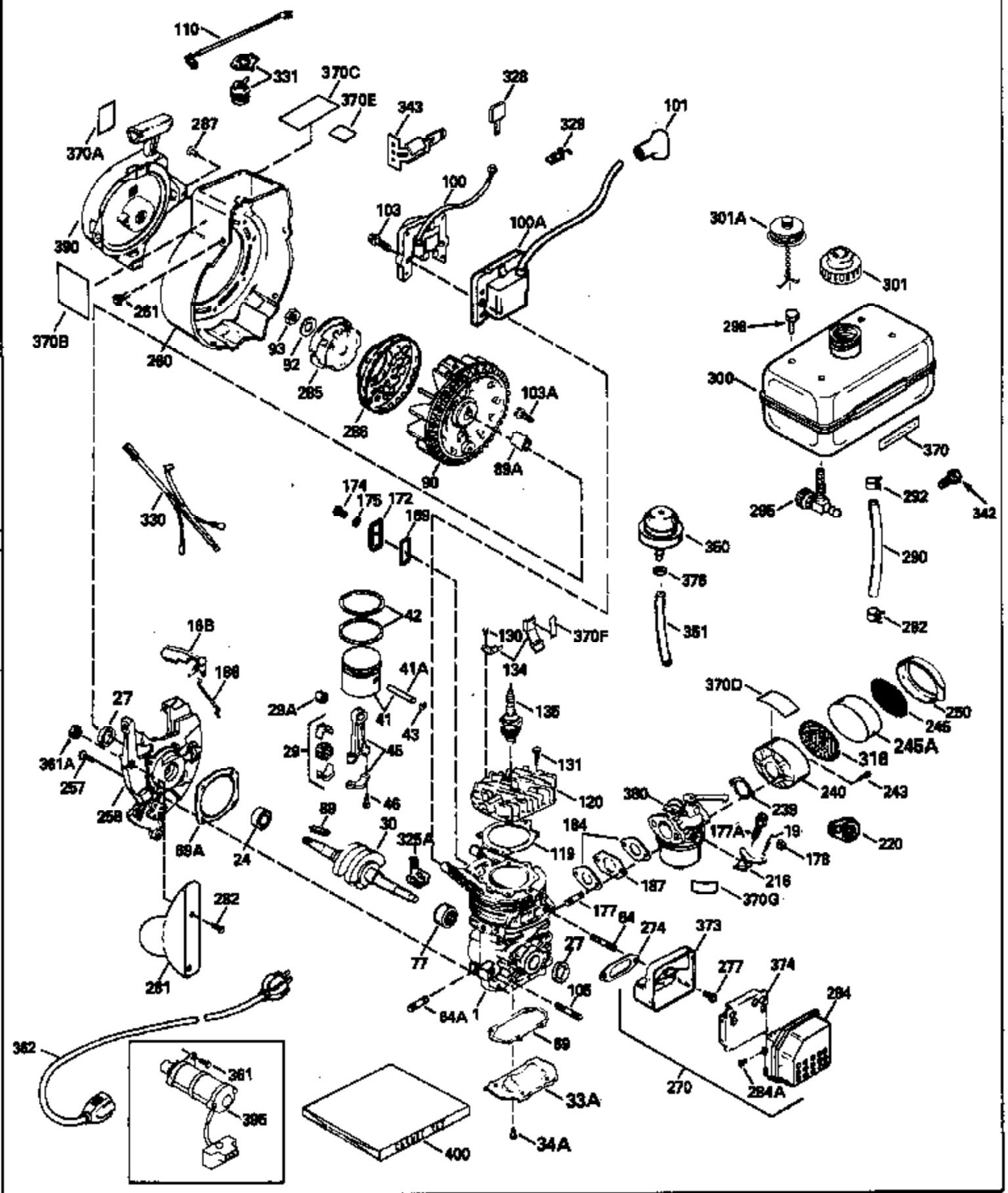


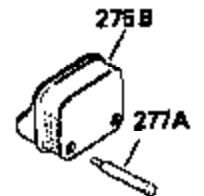
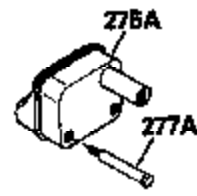
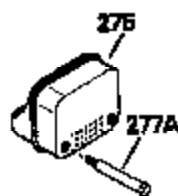
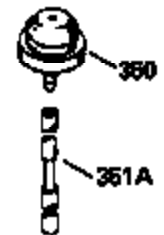
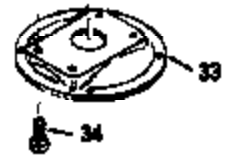
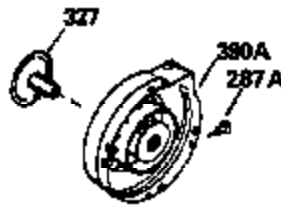
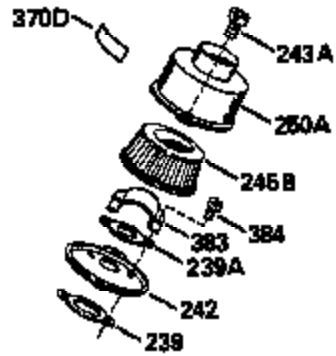
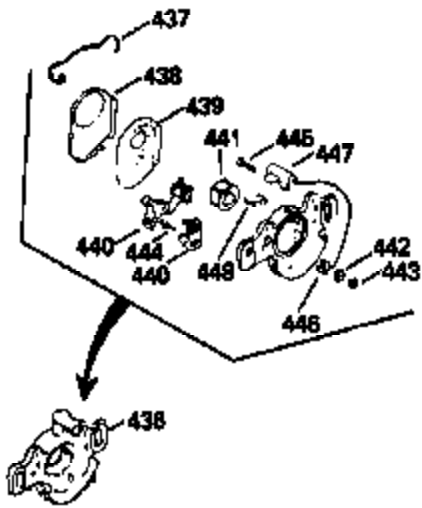
ILLUSTRATION SHOWS TYPICAL PARTS ONLY. ORDER BY PART NUMBER. PARTS NOT LISTED ARE SUPPLIED BY OEM.



Ref #	Part Number	Qty	Description
	1		Cylinder (Order s/b if replacement is req.)
16B	490291A		Air Vane
19	570646		Extension Spring
24	530110		Ball Bearing
27	510319		Oil Seal
29	530150		Needle Bearing & Liner Set (37 needle s)
29A	530104A		Cartridge Bearing
30	290609		Crankshaft
33A	570644		Cover Plate
34A	650579		Screw, Torx T-25, 10-24 x 1/2"
41	310283A		Piston & Pin Assy. (Incl. 43)
42	310190		Ring Set
43	310167		Piston Pin Retaining Ring
45	310235B		Connecting Rod Assy. (Incl. 29, 29A & 46)
46	650633		Connecting Rod Bolt
69	510323A		* Cover Plate Gasket
69A	510292A		* Cylinder Cover Gasket
77	530105		Cartridge Bearing
89A	611032		Adapter Sleeve
90	611112		Flywheel
92	650815		Belleville Washer
93	650390		Flywheel Nut
100A	34443A		Solid State Ignition (Incl. 101)
101	610118		Spark Plug Cover
103	650814		Screw, Torx T-15, 10-24 x 1"
110	611141		Ground Wire
119	510274A		* Cylinder Head Gasket
120	250240B		Cylinder Head
131	650477		Screw, Torx T-30, 1/4-20 x 3/4"
135	611049		Resistor Spark Plug (RCJ-8Y)
169	510325A		* Cover Gasket
172	570647		Compression Release Cover
174	650579		Screw, Torx T-25, 10-24 x 1/2"
175	650838		Washer, No. 10
177A	650959		Screw, 1/4-20 x 1"
184	510326A		* Carburetor Gasket
186	490294		Governor Link
187	570438A		Spacer
216	570645		R.P.M. Adjusting Lever
257	650911		Screw, Torx T-30, 1/4-20 x 5/8"
258	350396		Blower Housing Base (Incl. 27)
260	350443		Blower Housing
261	650737		Screw, 1/4-20 x 1/2"
270	390263B		Muffler Assy.(Incl.277,284,284A,373,3 74) NOTE: Muffler Assembly 390263B has been replaced by the new onepiece muffler, Ref. 275.
274	510207A		* Exhaust Gasket
277	650911		Screw, Torx T-30, 1/4-20 x 5/8"
284A	650578		Screw, 8-18 x 3/8"
284	390267		Muffler Cover NOTE: This muffler cover has been replaced by the new one piecemuffler, Ref. #'s 275, 275A or 275B.
285	590551		Starter Cup
287			Pop Rivet (3/16" dia.)(Purchase local ly)
301	410240		Fuel Cap
328	35062		Ignition Key
329	610973		Terminal
343	35079		Key Switch Bracket

Ref #	Part Number	Qty	Description
350	570682		Primer Bulb
351			Primer Line (Order from OEM)
373	390292A		Muffler Base
374	390272		Muffler Baffle
380	632410		Carburetor (Incl. 184) (Refer to Division 5, Section A, page A1-38 or Fiche 27A, Grid F-3 for breakdown)
400	510324B		* Gasket Set (Incl. items marked *)

ILLUSTRATION SHOWS TYPICAL PARTS ONLY. ORDER BY PART NUMBER. PARTS NOT LISTED ARE SUPPLIED BY OEM.



Ref #	Part Number	Qty	Description
287A	650926		Screw, 8-32 x 21/64"
325	29443		Wire Clip
350	570682		Primer Bulb
390A	590652		Rewind Starter (Refer to Division 5, Section C, page 34 or Fiche 27A, Grid G-10for breakdown)
422	730227A		2-Cycle Oil (8 oz.)