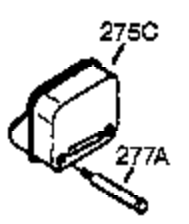
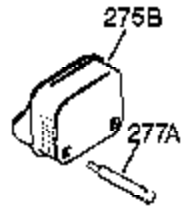
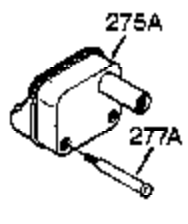
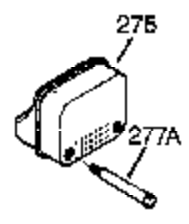
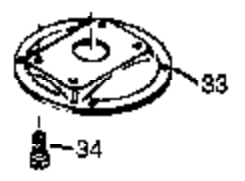
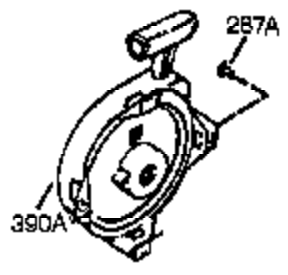
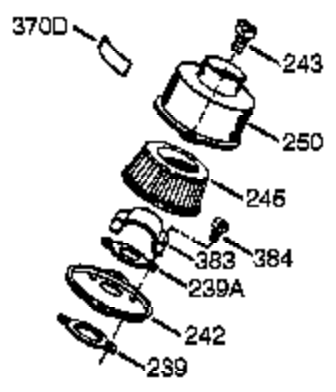
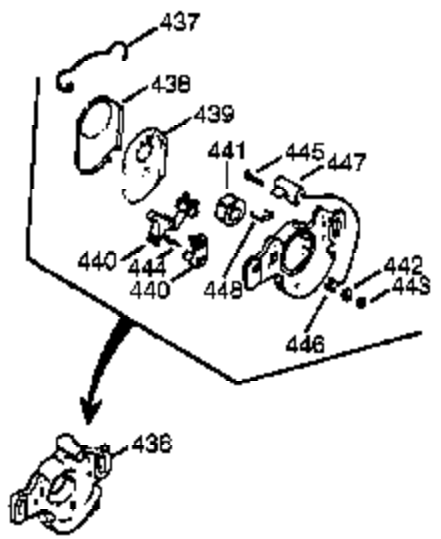


Ref #	Part Number	Qty	Description
	1 0	1	Cylinder (Order S/B if replacement is needed)
16B	490291A	1	Air Vane
19	570707	1	Extension Spring
24	530110	1	Ball Bearing
29	530150	1	Needle Bearing & Liner Set (37 Needle s)
29A	530104A	1	Cartridge Bearing
30	290680	1	Crankshaft
33A	570644	1	Cover Plate
34A	650579	4	Screw, Torx T-25, 10-24 x 1/2"
41	310283A	1	Piston & Pin Ass'y. (Incl. 43)
42	310190	2	Ring Set
43	310167	2	Piston Pin Retaining Ring
45	310235B	1	Connecting Rod Ass'y. (Incl. 29, 29A, & 46)
46	650633	4	Connecting Rod Bolt
69	510292A	1	* Cylinder Cover Gasket
69A	510323A	1	* Cover Plate Gasket
75	510319	2	Oil Seal
77	530105	1	Cartridge Bearing
89A	611032	1	Adapter Sleeve
90	611066	1	Flywheel
92	650815	1	Belleville Washer
93	650390	1	Flywheel Nut
100	34443A	1	Solid State Ignition (Incl. 101)
101	610118	1	Spark Plug Cover
103	651007	2	Screw, Torx T-15, 10-24 x 15/16"
119	510274A	1	* Cylinder Head Gasket
120	250240B	1	Cylinder Head
131	650477	5	Screw, Torx T-30, 1/4-20 x 3/4"
135	611049	1	Resistor Spark Plug (RCJ8Y)
163	650838	1	Washer
169	510325A	1	* Compression Release Cover Gasket
172A	570708	1	Compression Release Cover
174	650579	1	Screw, Torx T-25, 10-24 x 1/2"
177	650959	2	Screw, 5/32 Allen, 1/4-20 x 1"
184	510326A	2	* Carburetor Gasket
186	490322	1	Governor Link
187	570438A	1	Spacer
216	570645	1	R.P.M. Adjusting Lever
257	650911	4	Screw, Torx T-30, 1/4-20 x 5/8"
258	350422	1	Blower Housing Base (Incl. 75)
260	350437	1	Blower Housing
261	650737	4	Screw, 1/4-20 x 1/2"
274	510207A	1	* Exhaust Gasket
277	650869	2	Screw, 1/4-20 x 2-3/4"
285	590551A	1	Starter Cup
287	650926	3	Screw, 8-32 x 21/64"
300	32660A	1	Fuel Tank (Incl. 292 & 301)
301	410240	1	Fuel Cap
325	29443	1	Wire Clip
330	611164A	1	Wire Harness
350	570629A	1	Primer Assembly
351	32180C	1	Primer Line
370	36261	1	Lubrication Decal
380	632560A	1	Carburetor (Incl. 184)

Ref #	Part Number	Qty	Description
390	590712	1	Rewind Starter (NOTE: This engine could have been built with 590743 starter. Refer to the design of the rope pulley strength ribs for part identification. Individual starter parts do not interchange. Refer to service bulletin 116.))
400	510324B	1	* Gasket Set (Incl. items marked PK in notes) Incl. (1) each of part #'s 510207A, 510274A, 510292A, 510323A, 510325A, 510326A, 510346A, and (2) of part # 510110A



Ref #	Part Number	Qty	Description
275	390330	1	Muffler (Incl. 274 & 277)
370	36261	1	Lubrication Decal
420	730227A	1	2-Cycle Oil (8 oz.)