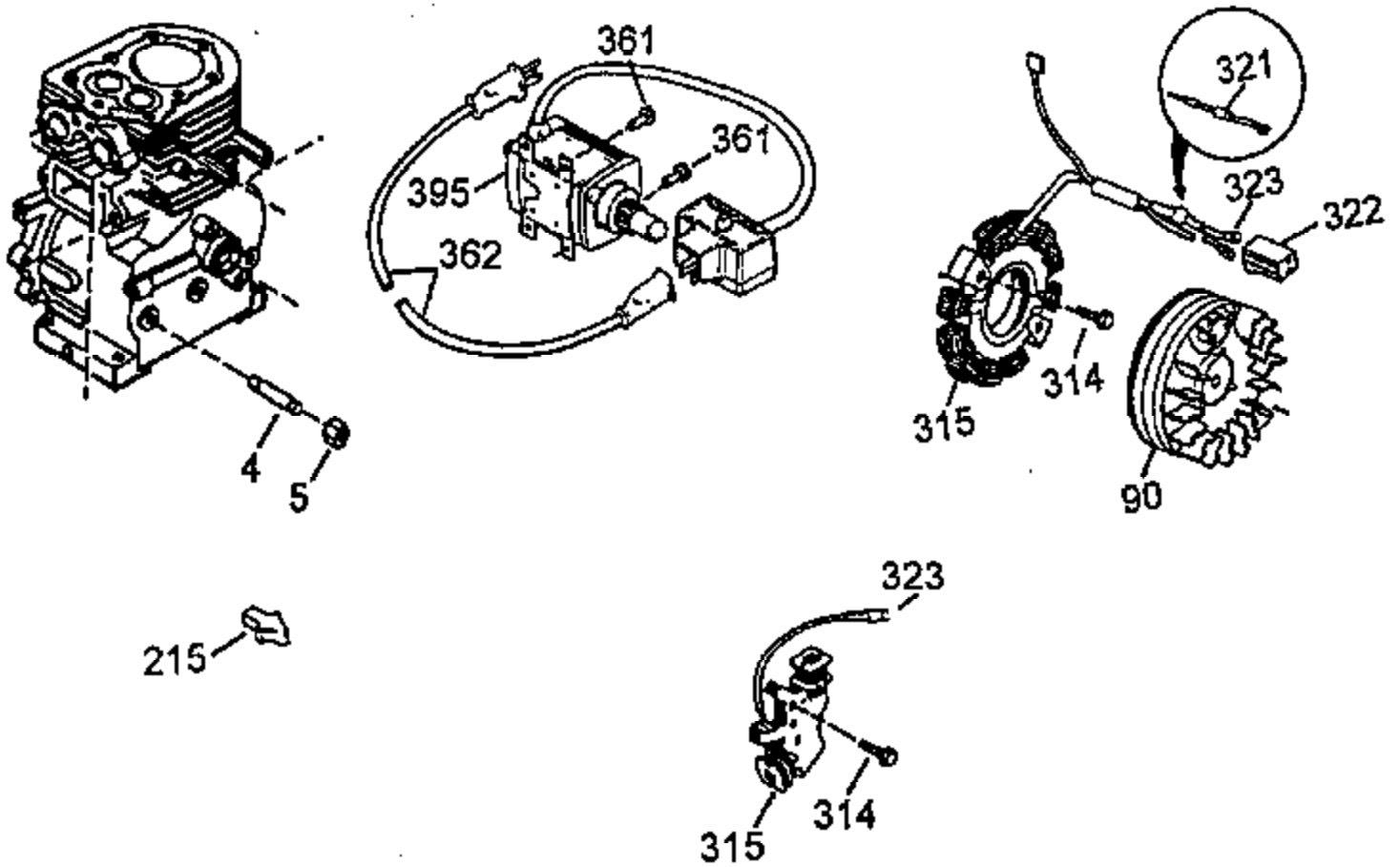


Ref #	Part Number	Qty	Description
1	32586C	1	Cylinder (Incl. 2 & 20)
2	27652	2	Dowel Pin
15B	650494	1	Screw, 6-40 x 5/16"
15A	30700	1	Governor Yoke
15	30699C	1	Governor Rod (Incl. 15A & 15B)
16	33454	1	Governor Lever
17	29916	1	Governor Lever Clamp
18	650548	1	Screw, 8-32 x 5/16"
19	34663	1	Speed Control Spring
20	32630	1	Oil Seal
25	35326	1	Blower Housing Baffle
26	650561	2	Screw, 1/4-20 x 5/8"
28	30322	1	Lock Nut, 8-32
30	36548	1	Crankshaft
35	29826	1	Screw, 10-32 x 3/4"
36	29918	1	Lock Washer
37	29216	1	Lock Nut, 10-32
38	29642	1	Retaining Ring
40	34517	1	Piston, Pin & Ring Set (Std.)
40	34518	1	Piston, Pin & Ring Set (.010" OS)
40	34519	1	Piston, Pin & Ring Set (.020" OS)
41	32592B	1	Piston & Pin Ass'y. (Std.) (Incl. 43)
41	32593B	1	Piston & Pin Ass'y. (.010" OS) (Incl. 43)
41	32594B	1	Piston & Pin Ass'y. (.020" OS) (Incl. 43)
42	32595	1	Ring Set (Std.)
42	32596	1	Ring Set (.010" OS)
42	32597	1	Ring Set (.020" OS)
43	27888	2	Piston Pin Retaining Ring
45	32591C	1	Connecting Rod Ass'y. (Incl. 46 & 49)
46	650662C	2	Connecting Rod Bolt
48	34034	2	Valve Lifter
49	34242	1	Oil Dipper
50	36549	1	Camshaft (MCR)
60	30622A	1	Blower Housing Extension
61	34126	1	Grommet Mounting Bracket
62	650760	1	Screw, 8-32 x 3/8"
63	28545	1	Grommet
65	650128	1	Screw, 10-24 x 1/2"
69	30684	1	* Cylinder Cover Gasket
70	31720A	1	Cylinder Cover (Incl. 71, 75 & 80)
71	31546	1	Crankshaft Bushing
72	27642	1	Oil Drain Plug
75	28427	1	Oil Seal
76	28926	1	* Camshaft Seal
80	31845	1	Governor Shaft
81	30590A	1	Washer
82	30591	1	Governor Gear Ass'y.
83	30588A	1	Governor Spool
84	29193	1	Retaining Ring
86	650488	7	Screw, 1/4-20 x 1-1/4"
87	650493	1	Screw, 1/4-20 x 1-3/4"
89	32589	1	Flywheel Key
90	611087	1	Flywheel
92	650815	1	Belleville Washer
93	8116	1	Flywheel Nut
100	34443A	1	Solid State Ignition
101	610118	1	Spark Plug Cover
102	650872	2	Solid State Mounting Stud

Ref #	Part Number	Qty	Description
103	650814	2	Screw, Torx T-15, 10-24 x 1"
110	35253	1	Ground Wire
110A	35305	1	Ground Wire
119	36453	1	* Cylinder Head Gasket
120	36446	1	Cylinder Head (Incl. 3 of 131)
125	27878A	1	Exhaust Valve (Std.) (Incl. 151)
125	27880A	1	Exhaust Valve (1/32" OS) (Incl. 151)
126	32783	1	Intake Valve (Std.) (Incl. 151)
126	32784	1	Intake Valve (1/32" OS) (Incl. 151)
127	650691	3	Washer
128	650690	3	Belleville Washer
129	650697A	2	Screw, 5/16-18 x 2-1/2"
130	650697A	3	Screw, 5/16-18 x 2-1/2"
131	650697A	3	Screw, 5/16-18 x 2-1/2"
135	35395	1	Resistor Spark Plug (RJ17LM)
139	31843A	1	Governor Gear Bracket
140	650965	2	Screw, Torx T-25, 10-24 x 1/2"
149	27882	2	Valve Spring Cap
150	27881	2	Valve Spring
151	32581	2	Valve Spring Keeper
169	27896A	2	* Breather Gasket
170	28423	1	Breather Body
171	28424	1	Breather Element
172	28425	1	Valve Cover
173	35350	1	Breather Tube
174	650128	2	Screw, 10-24 x 1/2"
182	650517	2	Screw, 1/4-20 x 27/32"
183	32398	1	Choke Bracket
184	31688A	1	* Carburetor To Intake Pipe Gasket
186	34661	1	Governor Link
200	34664	1	Control Bracket (Incl. 19, 203, 204 & 206)
203	31342	1	Compression Spring
204	650549	1	Screw, 5-40 x 7/16"
206	610973	1	Terminal
207	34662	1	Throttle Link
209	650821	2	Screw, 10-32 x 1/2"
215	35440	1	Control Knob
220	35439	1	Control Knob
222	28820	2	Screw, 10-32 x 1/2"
224	27915A	1	* Intake Pipe Gasket
260	35755	1	Blower Housing
262	29747B	2	Screw, Torx T-40, 5/16-24 x 21/32"
264A	30196	1	Screw, 5/16-18 x 3/4"
265	30939A	1	Cylinder Head Cover
269	35865	1	* Exhaust Manifold Gasket
272	30196	2	Screw, 5/16-18 x 3/4"
273	34712	1	Carburetor Flange
275	32401	1	Muffler
277	650694A	1	Screw, 5/16-18 x 2"
279B	26073	1	Washer
285	35287B	1	Starter Cup
287	650926	3	Screw, 8-32 x 21/64"
290	29774	1	Fuel Line
291	30962	1	Fuel Line
292	26460	4	Fuel Line Clamp
295	35857	1	Fuel Shut-Off Valve
298	650665	2	Screw, 1/4-15 x 3/4"
299	650764	1	"U" Type Nut

Ref #	Part Number	Qty	Description
300	34186A	1	Fuel Tank (Incl. 292 & 301)
301	35355	1	Fuel Cap
305	35554	1	Oil Fill Tube
307	35499	1	"O" Ring
308	35540	1	Fill Tube Clip
310	36205	1	Dipstick
313A	35189	1	Spacer
325	29443	1	Wire Clip
327	35392	1	Starter Plug
328	35062	2	Ignition Key
329	610973	1	Terminal
334	650257	2	Screw, 8-32 x 5/16"
335	35060	1	Carburetor Cover
336	650765	1	Screw, 10-32 x 1/2"
338	650760	1	Screw, 8-32 x 3/8"
340	34159	1	Fuel Tank Bracket
341	34158	1	Fuel Tank Bracket
342	650561	1	Screw, 1/4-20 x 5/8"
350	570682	1	Primer Ass'y.
351	32180C	1	Primer Line
355	590574	1	Starter Handle
370A	35063	1	Throttle Decal
370B	34414	1	Warning Decal
370C	36501	1	Primer Decal
370D	34418	1	Choke Decal
370E	36534	1	Lubrication Decal
370	36261	1	Instruction Decal
380	632371A	1	Carburetor (Incl. 184)
390	590646	1	Rewind Starter
396	33328D	1	Electric Starter Motor (110 Volt)
400	36454	1	* Gasket Set (Incl. items marked PK i n notes) Incl. part #'s 27272A (1), 27896A (2), 27915A (1), 30684 (1), 31688A (1), 35865 (1), 36453 (1)
420	730226	1	SAE 5W30 4-Cycle Engine Oil (Quart)
453	29538	1	Engine Mounting Base
454	650542	4	Screw, 5/16-18 x 3/4"

VIEW 2 of 2 ... this illustration may not depict actual equipment and is for reference only!



Ref #	Part Number	Qty	Description
	4 30968	1	Oil Drain Extension
	5 30969	1	Extension Cap
	90 611087	1	Flywheel
	110A 35305	1	Ground Wire
	215 35440	1	Control Knob
	264A 30196	1	Screw, 5/16-18 x 3/4"
	313A 35189	1	Spacer
	314 650873	2	Screw, 1/4-20 x 3/4"
	315 611111	1	Alternator Coil (18 Watt)(Incl. 323)
	323 611118	1	Terminal
	328 35062	2	Ignition Key
	329 610973	1	Terminal
	361 650990	4	Screw, Torx T-30, 1/4-20 x 15/32"
	370A 35063	1	Throttle Decal
	370B 34414	1	Warning Decal
	370C 36501	1	Primer Decal
	370D 34418	1	Choke Decal
	370E 36534	1	Lubrication Decal