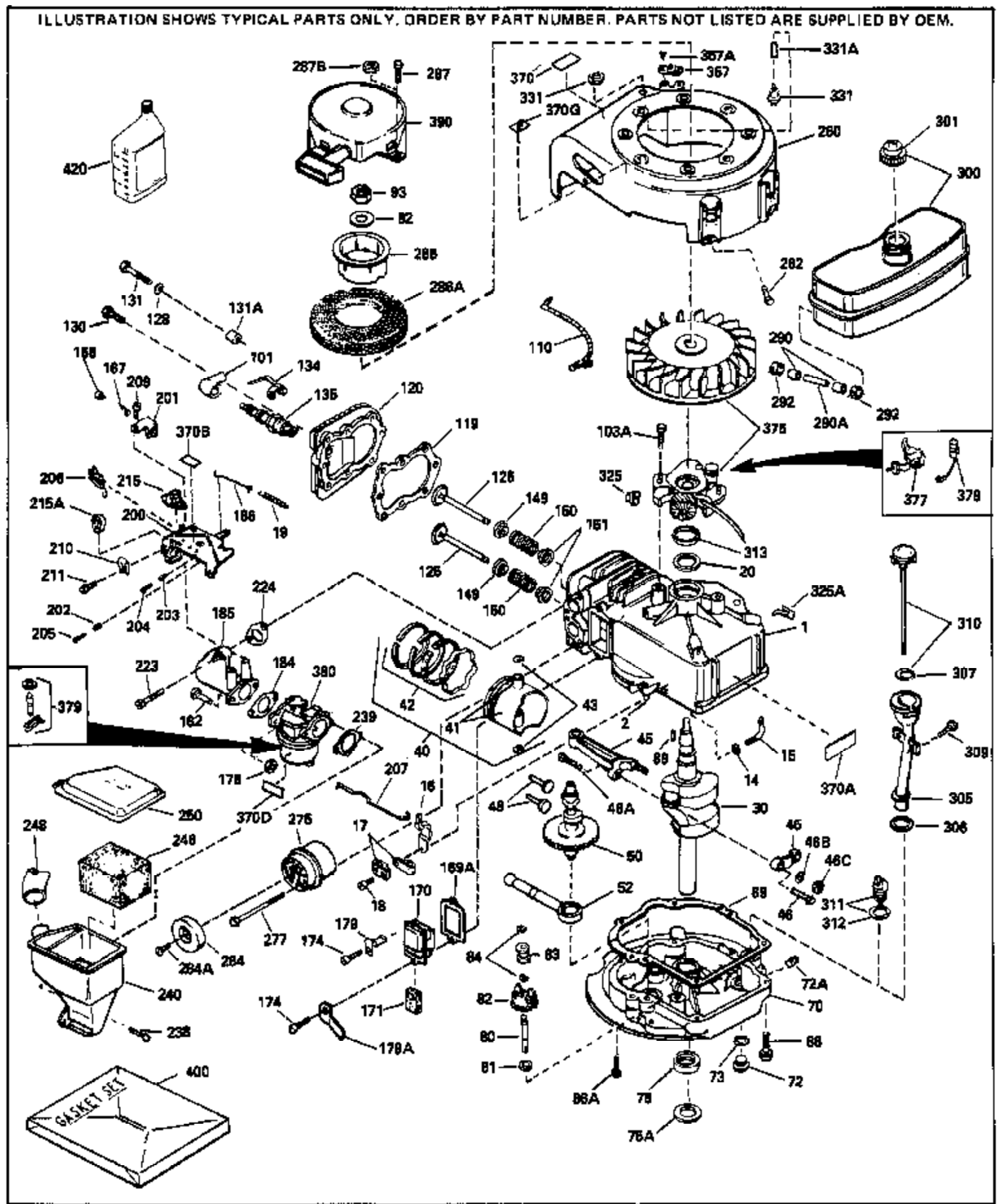


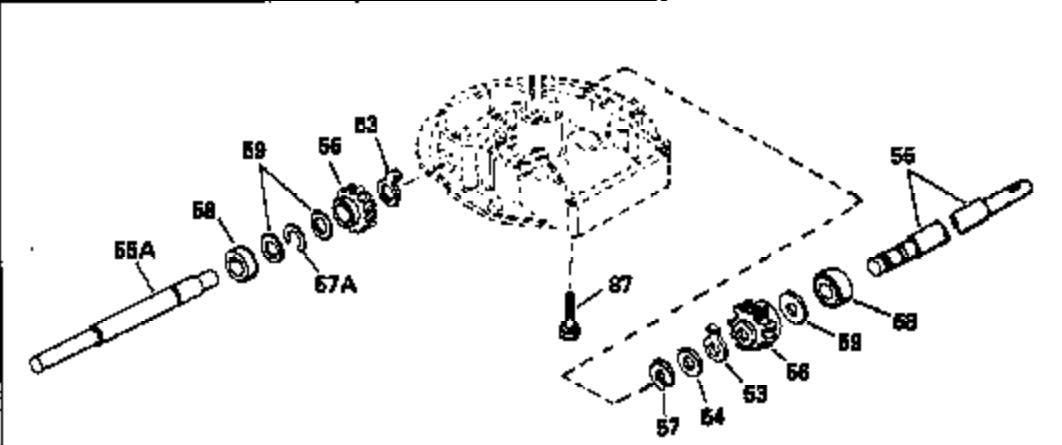
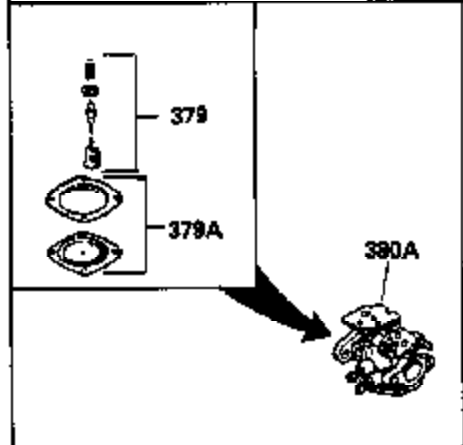
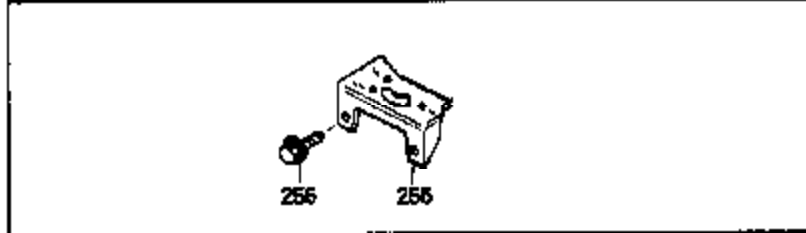
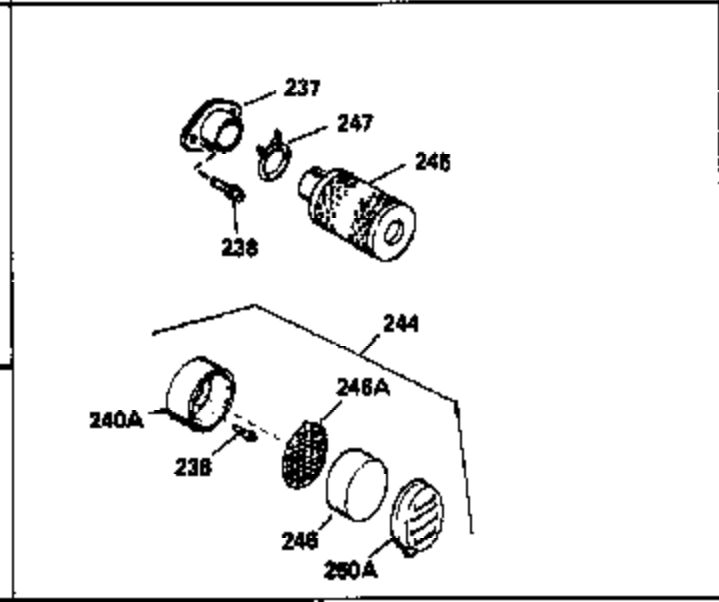
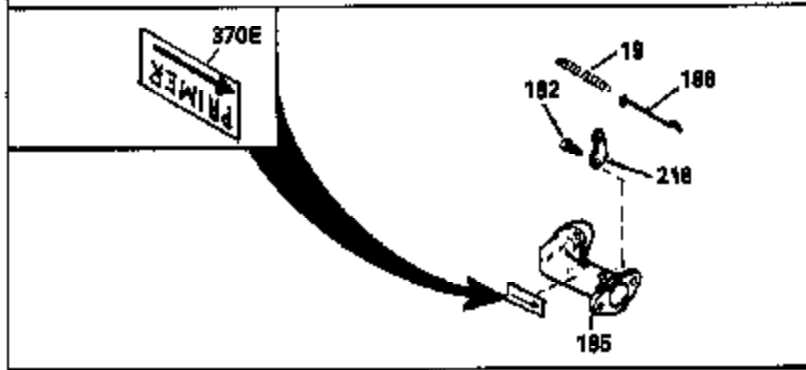
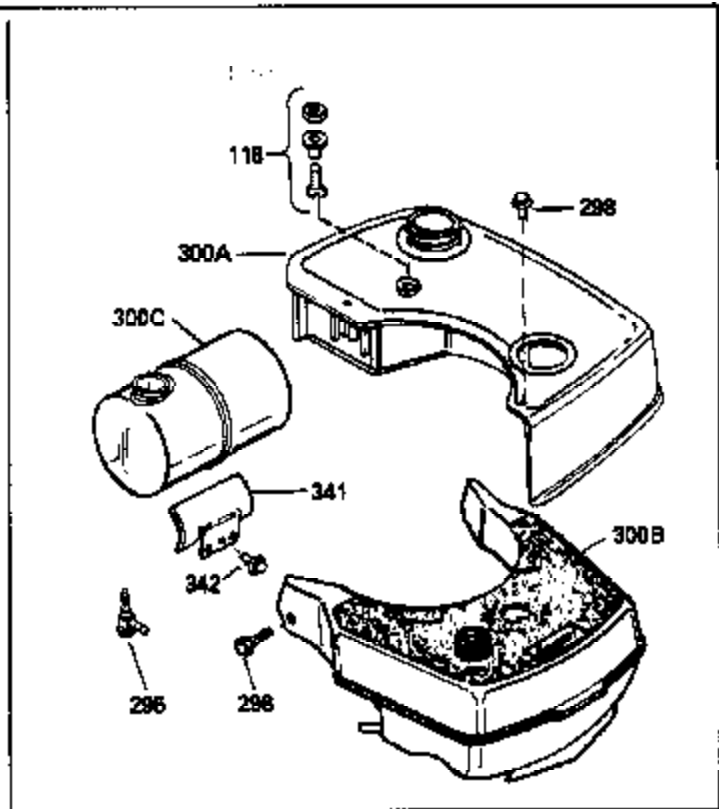
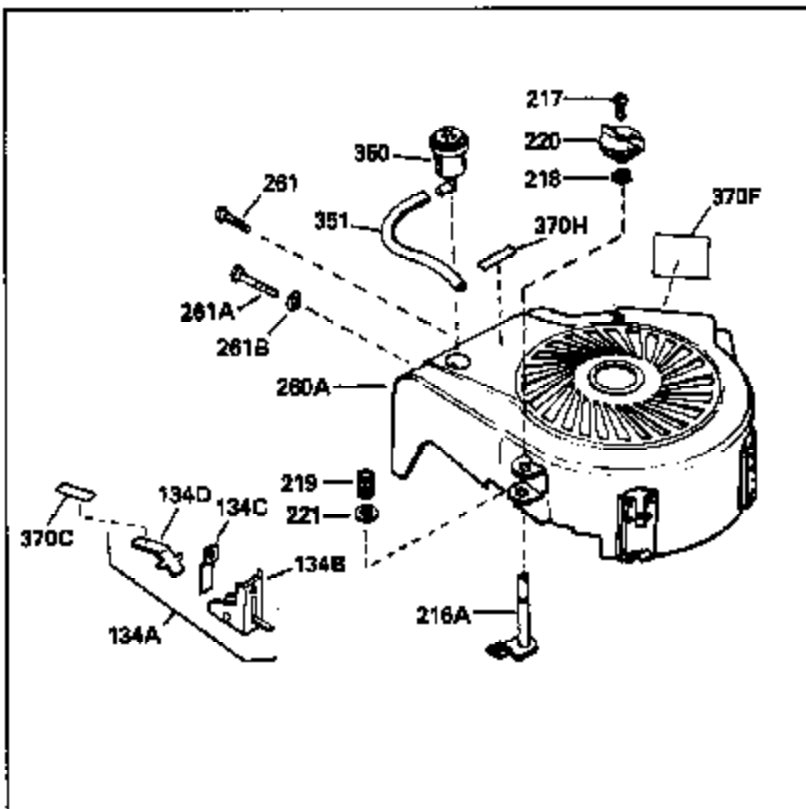
ILLUSTRATION SHOWS TYPICAL PARTS ONLY. ORDER BY PART NUMBER. PARTS NOT LISTED ARE SUPPLIED BY OEM.



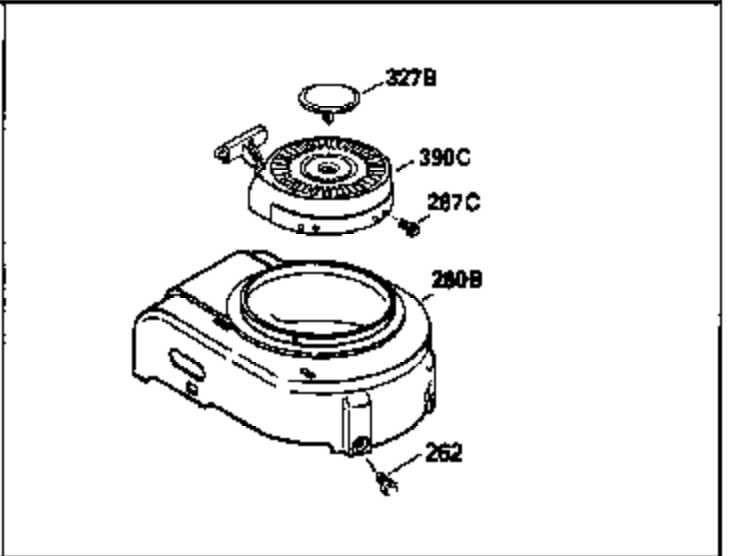
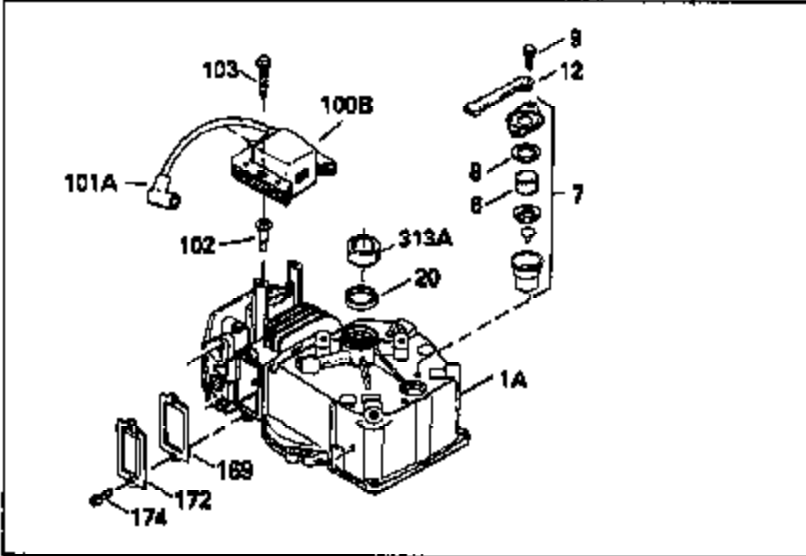
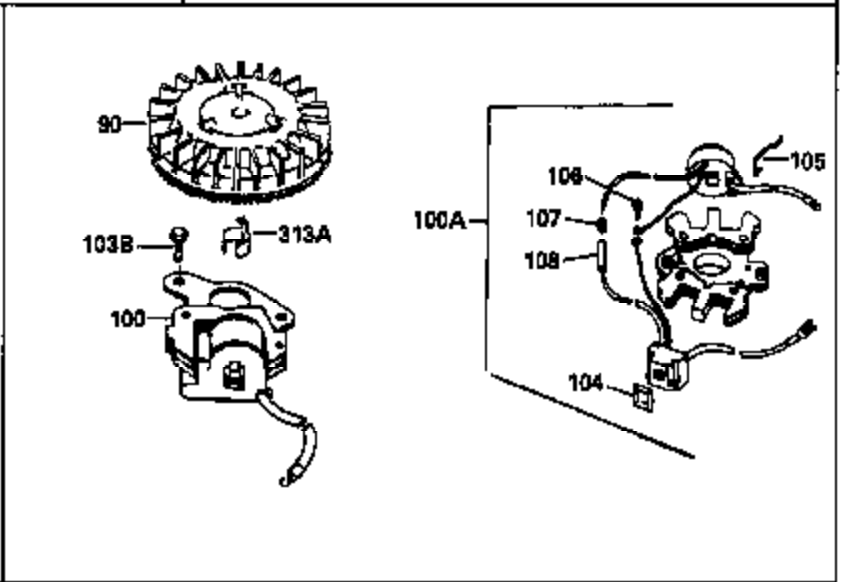
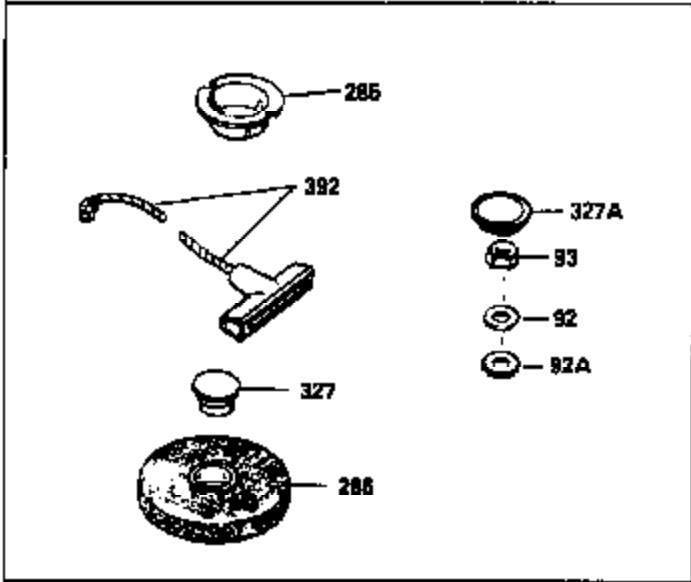
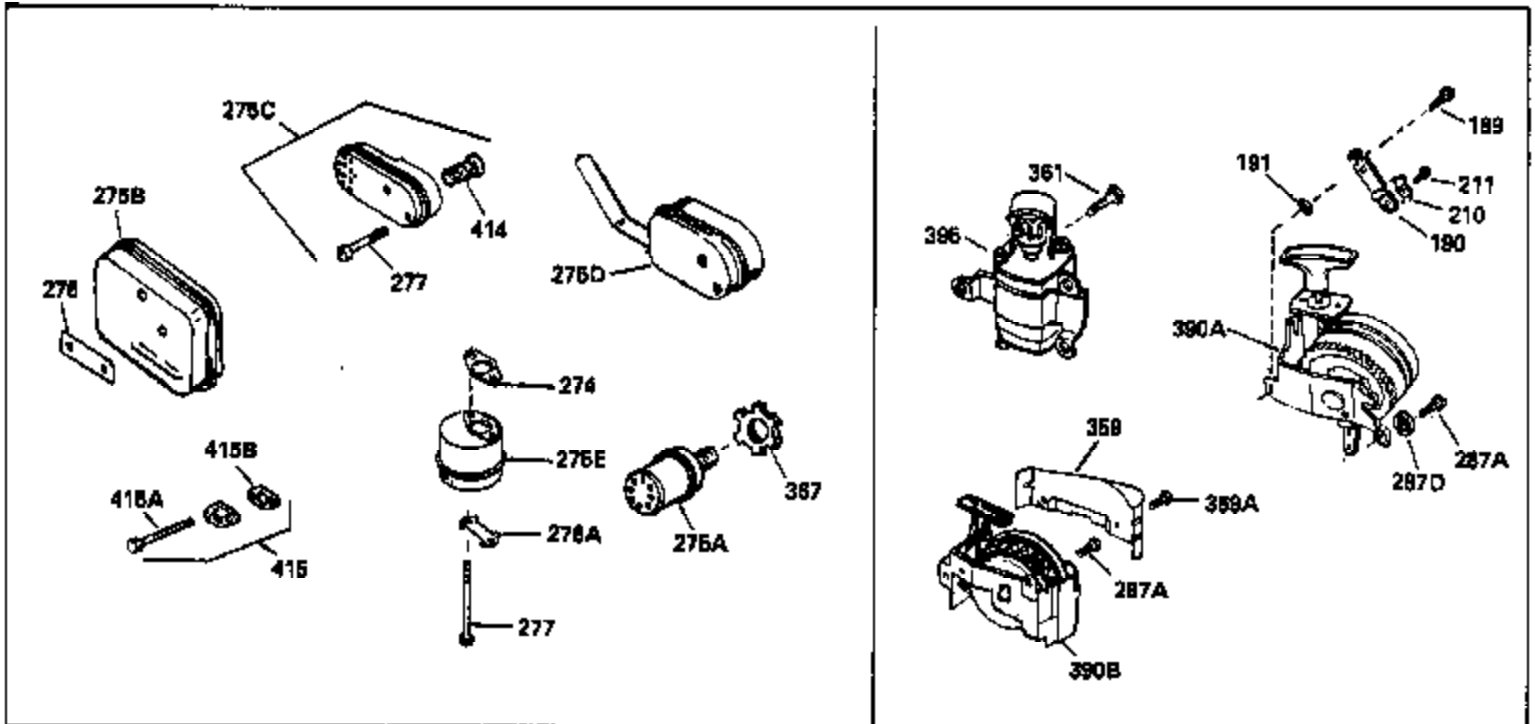
Ref #	Part Number	Qty	Description
1	33389		Cylinder (Incl. 2 & 20) (2-5/16" Bore)
2	26727		Dowel Pin
14	28277		Washer
15	30589		Governor Rod (Incl. 14)
16	32651		Governor Lever
17	31335		Governor Lever Clamp (Clamp is positioned towardspark plug end on 1977-78 and latermodels. It is positioned opposite spark plugend on earlier models.)
18	650548		Screw, 8-32 x 5/16"
19	31361		Spring, Governor
20	29183		Oil Seal
30	29476		Crankshaft
40	34499		Piston, Pin & Ring Ass'y. (Std.) (2-5 /16")
40	34526		Piston, Pin & Ring Ass'y. (.010" OS)
40	34527		Piston, Pin & Ring Ass'y. (.020" OS)
41	31761B		Piston & Pin Ass'y.(Std.)(Incl.43)(2- 5/16")
41	32662B		Piston & Pin Ass'y. (.010" OS) (Incl. 43)
41	32663B		Piston & Pin Ass'y. (.020" OS) (Incl. 43)
42	27565		Ring Set (Std.) (2-5/16" Bore)
42	27566		Ring Set (.010" OS)
42	27567		Ring Set (.020" OS)
43	20381		Ring, Piston pin retaining
45	30963B		Rod Assy., Connecting (Incl. No. 46)
46C	27573		Nut (Used on early production)
46B	20747		Washer (Used on early production)
46A	26706		Connecting Rod Bolt(Used on early pro duction)
46	32610A		Bolt, Connecting rod
48	27241		Lifter, Valve
50	33148A		Camshaft
52	29914		Pump Assy., Oil
69	35261		* Gasket, Mounting flange
70	30571A		Flange Ass'y. (Incl. 72, 75, 80 & 311)
72	30572		Plug, Oil drain (Incl. No. 73)
73	28833		* Oil Plug Gasket (Do not use w/plastic plug)
75	26208		Seal, Oil
80	30574		Shaft, Governor
81	30590A		Washer, Flat
82	30591		Gear Assy., Governor (Incl. No. 81)
83	30588A		Spool, Governor
84	29193		Ring, Retaining
86	650488		Screw, 1/4-20 x 1-1/4"
89	610961		Key, Flywheel
92	650815		Washer Belleville
93	650607		Nut, Flywheel
103A	650489		Screw, 1/4-20 x 5/8"
119	29953C		* Gasket, Cylinder head
120	30579A		Head, Cylinder (Incl. 131)
125	29313C		Exhaust Valve (Std.) (Incl. 151)
125	29315C		Exhaust Valve (1/32" OS) (Incl. 151)
126	29314B		Valve, Intake (Std.)(Incl. 151)
126	29315C		Valve, Intake (1/32" OS)(Incl. 151)
128	26073		Washer, Flat (Used on early productio n)
130	6021A		Screw, 5/16-18 x 1-1/2" (Use as required)(Do not usewith 26073)
131	650694A		Screw, 5/16-18 x 2" (Use as required)
131	650697A		Screw, 5/16-18 x 2-1/2" (Use as requi red)
135	33636		Spark Plug (J-8C)

Ref #	Part Number	Qty	Description
149	31671		Valve Spring Cap (Used on early production)
150	31672		Spring, Valve
151	31673		Cap, Lower valve spring
169A	31619A		* Gasket, Breather
170	31337A		Breather Assy. (Incl. 169A & 171)
171	31410		Element, Breather
174	650128		Screw, 10-24 x 1/2"
178	29752		Nut & Lockwasher, 1/4-28
179	30593		Clip
182	6201		Screw, 1/4-28 x 7/8"
184	26756		* Gasket, Carburetor
185	33004A		Pipe, Intake
186	32653		Link, Governor spring
203	31342		Spring, Compression
207	34336		Link, Throttle
223	650451		Screw, 1/4-20 x 1"
224	32649A		* Gasket, Intake pipe
238	650707		Screw, 10-32 x 5/8"
239	33051		* Gasket, Air cleaner
240	33005		Body, Air cleaner
246	33006		Filter, Air cleaner
248	33008		Tube, Air Cleaner
250	33007		Cover, Air cleaner
260	32455B		Housing, Blower NOTE: Replacement hardware may differ when servicing starter assy. or blower housing. Refer to Service Bulletin 508.
262	650561		Screw
275	27181B		Muffler Kit (Incl. Nos. 274 & 277)
277	650795		Screw, 1/4-20 x 2-1/4"
285	590416		Cup, Starter
286A	590417		Screen, Starter cup
287	29716		Screw, 1/4-28 x 7/16"
290	29774		Fuel Line (Braided 8-1/4")(21cm)(Use as req.)
290	30705		Fuel Line (Braided 16")(40cm)(Use as req.)
292	26460		Clamp, Fuel line
300	32170A		Fuel Tank Ass'y. (Incl. 292 & 301)
301	410144B		Fuel Cap (Use as required)
301	33032		Fuel Cap (Use as required) (1.5" I.D.)
306	34282		"O" Ring (This "O" ring is required with metal fill tube only when replacement mounting flange with .777 dia. oil fill hole has been used.)
311	27625		Plug, Oil fill (Incl. No. 312)
312	29673		* Gasket, Oil fill plug
313	33876		Gasket, Stator
325	27275		Clip, Hi-tension wire
370	550223		Decal, Name
370A	34346		Decal, Instruction
375	610794A		Magneto NOTE: The complete magneto is not available as an assembly. The magneto number is shown for reference purposes only. Order component parts individually, as shown in parts list. (Refer to Division 5, Sec. B, page 35 or Fiche 7A, Grid G-1 for breakdown)
377	30547A		Contact Assy., Breaker
378	30548B		Condenser
379	631021		Inlet Needle, Seat & Clip Assy.

Ref #	Part Number	Qty	Description
380	632051		Carburetor (Incl. 184) (Refer to Division 5, Section A, page A2-10 or Fiche 7A, Grid E-13 for breakdown)
390	590420		Rewind Starter NOTE: Hardware may differ when servicing blower housing or starter assy. Refer to Service Bulletin 508. (Refer to Division 5, Section C, page 25 or Fiche 7A, Grid G-4 for breakdown)
400	33238D		* Gasket Set (Incl. items marked *)
420	730225		SAE 30 4-Cycle Engine Oil (Quart)



Ref #	Part Number	Qty	Description
	19 31361		Spring, Governor
134C	34438		Spring, Stop switch
134D	34439		Clip, Stop switch
134A	34657		Stop Lever Ass'y. (Incl. 134B, 134C, & 134D)
134B	34437		Bracket, Stop switch
182	6201		Screw, 1/4-28 x 7/8"
185	33004A		Pipe, Intake
186	32653		Link, Governor spring
216	33086		Lever, Speed adjustment
238	650707		Screw, 10-32 x 5/8"
246	33006		Filter, Air cleaner
370C	34407		Decal, Stop control
370E	34363		Decal, "Primer"
379	631021		Inlet Needle, Seat & Clip Assy.



Ref #	Part Number	Qty	Description
20	29183		Oil Seal
92	650815		Washer Belleville
93	650607		Nut, Flywheel
174	650128		Screw, 10-24 x 1/2"
262	650561		Screw
277	650795		Screw, 1/4-20 x 2-1/4"
285	590416		Cup, Starter
415A	30063		Screw, 1/4-20 x 1/2" (use as required)
415B	26754A		Gasket, Exhaust (use as required)
415	730162		Exh.Adapter Kit (Incl.415A & B)(use a s req.)