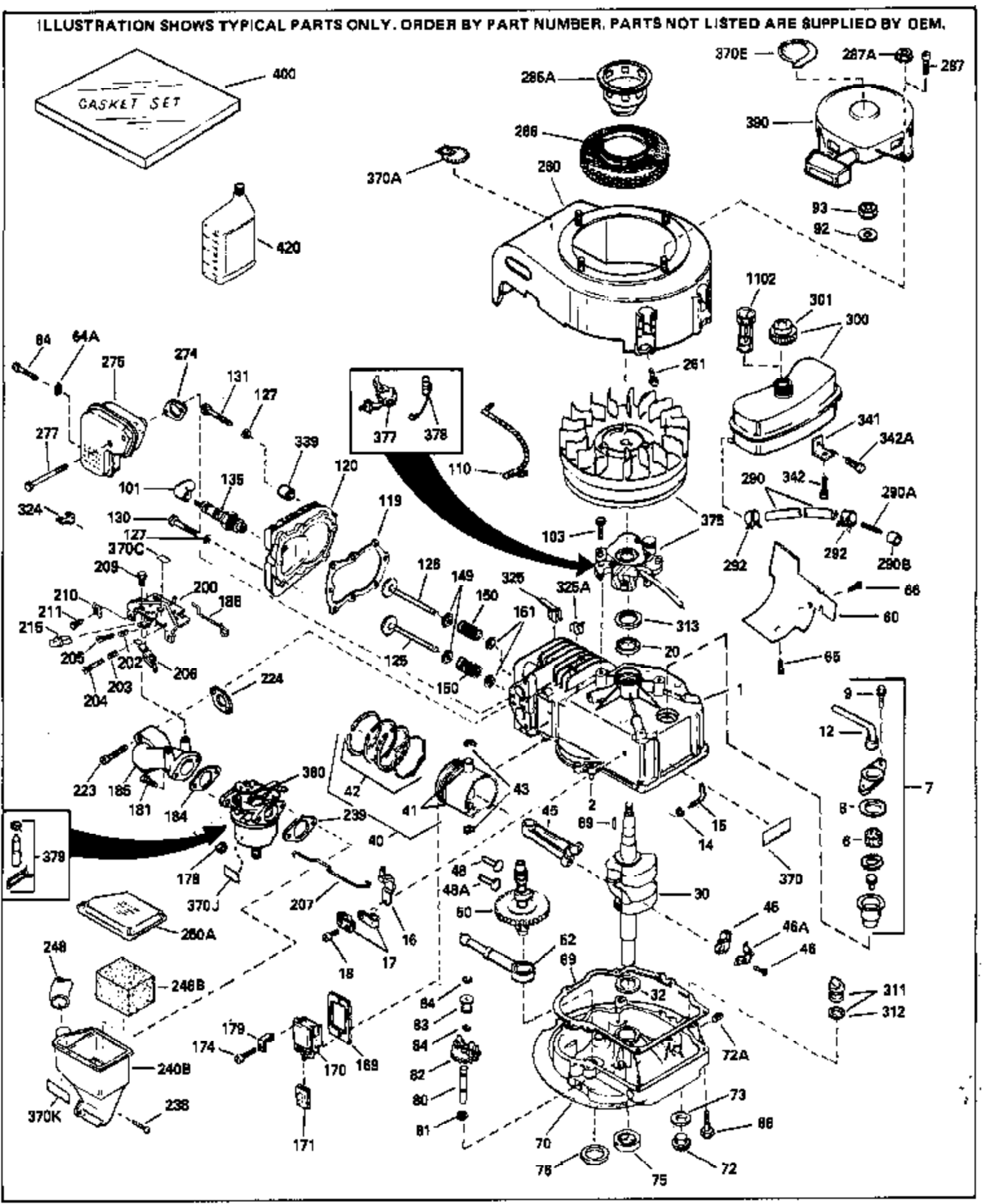


ILLUSTRATION SHOWS TYPICAL PARTS ONLY. ORDER BY PART NUMBER. PARTS NOT LISTED ARE SUPPLIED BY OEM.

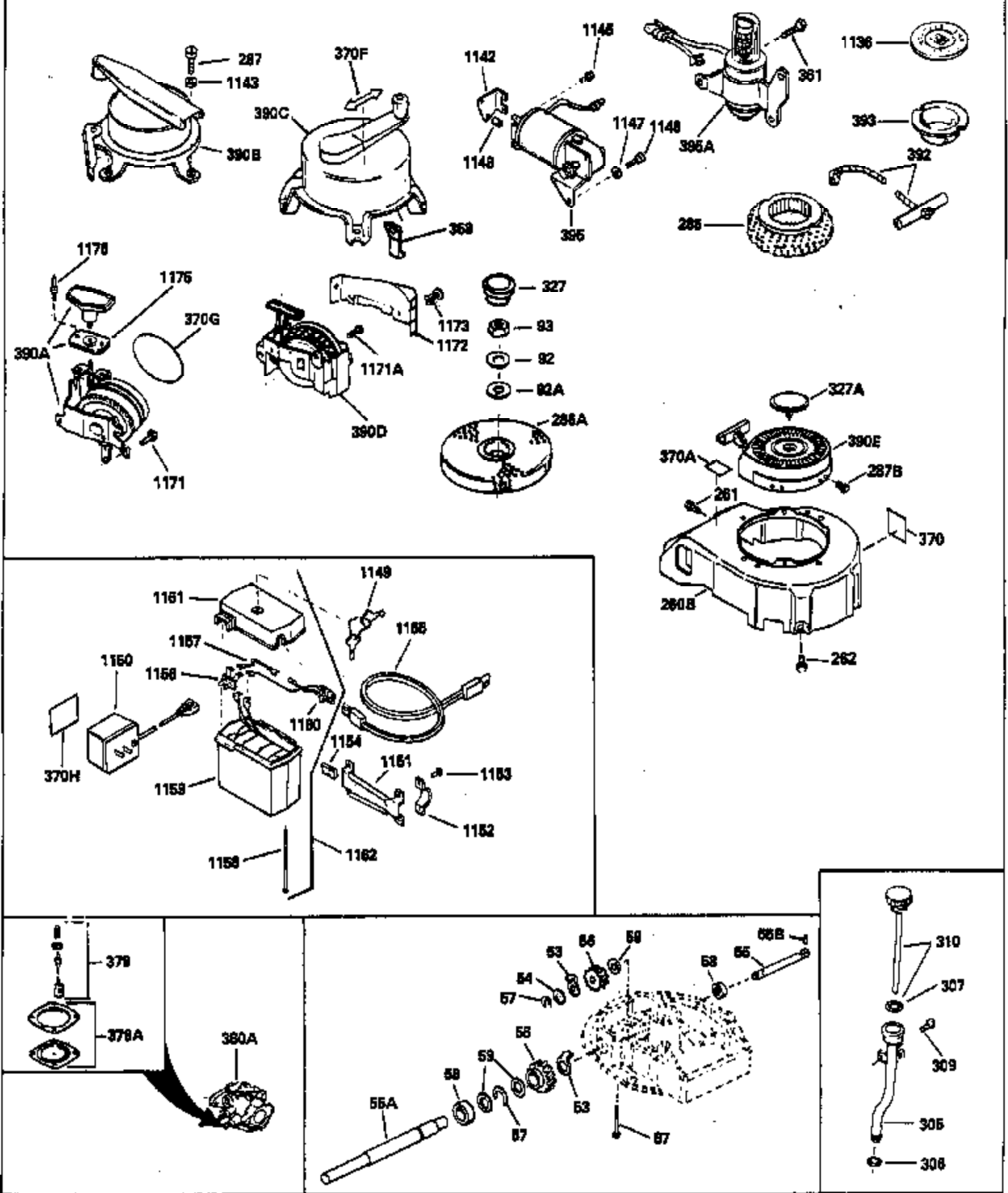


| Ref # | Part Number | Qty | Description |
|-------|-------------|-----|---|
| | 1 33027B | | Cylinder (Incl. 2, 8, 9 & 20) (2-5/8" Bore) |
| | 2 26727 | | Pin, Dowel |
| | 14 28277 | | Washer, Flat |
| | 15 30589 | | Rod, Governor (Incl. 14) |
| | 16 32651 | | Lever, Governor |
| | 17 31335 | | Clamp, Governor lever (Clamp is positioned towardspark plug end on 1977-78 and latermodels. It is positioned opposite spark plugend on earlier models.) |
| | 18 650548 | | Screw, 8-32 x 5/16" |
| | 19 31386 | | Spring, Governor |
| | 20 32600 | | Seal, Oil |
| | 30 32881B | | Crankshaft |
| | 32 32323 | | Washer, Thrust |
| | 40 34851 | | Piston, Pin & Ring Set (Std.) (2-5/8" Bore) |
| | 40 34852 | | Piston, Pin & Ring Set (.010" OS) |
| | 40 34853 | | Piston, Pin & Ring Set (.020" OS) |
| | 41 32603B | | Piston & Pin Ass'y.(Std.)(Incl. 43)(2 -5/8") |
| | 41 32604B | | Piston & Pin Ass'y. (.010" OS) (Incl. 43) |
| | 41 32605B | | Piston & Pin Ass'y. (.020" OS) (Incl. 43) |
| | 42 34854 | | Ring Set (Std.) (2-5/8" Bore) |
| | 42 34855 | | Ring Set (.010" OS) |
| | 42 34856 | | Ring Set (.020" OS) |
| | 43 20381 | | Ring, Piston pin retaining |
| | 45 32875 | | Rod Assy., Connecting (Incl. 18) |
| | 46 32610 | | Connecting Rod Bolt (Early Production) |
| | 46 32610A | | Bolt, Connecting rod |
| | 46A 32609 | | Plate, Lock (Do not use with 32610A locking type screw) |
| | 48 27241 | | Lifter, Exhaust valve |
| | 48A 27241 | | Lifter, Intake valve |
| | 50 33154 | | Camshaft |
| | 52 29914 | | Pump Assy., Oil |
| | 60 29745 | | Extension, Blower housing |
| | 66 30063 | | Screw, Torx T-30, 1/4-20 x 1/2" |
| | 69 35261 | | * Gasket, Mounting flange |
| | 70 32612A | | Flange Ass'y. (Incl. 72, 75 & 80) |
| | 72 30572 | | Plug, Oil drain (Incl. 73) |
| | 72A 9556 | | Oil Drain Plug (Use as required) |
| | 73 28833 | | * Drain Plug Gasket (Do not use w/plastic plug) |
| | 75 27897 | | Seal, Oil |
| | 80 30574 | | Shaft, Mechanical governor |
| | 81 30590A | | Washer, Flat |
| | 82 30591 | | Gear Assy., Governor (Incl. 81) |
| | 83 30588A | | Spool, Governor |
| | 84 29193 | | Ring, Retaining |
| | 86 650488 | | Screw, 1/4-20 x 1-1/4" |
| | 89 610951 | | Key, Flywheel |
| | 92 650815 | | Washer, Belleville |
| | 93 650607 | | Nut, Flywheel |
| | 103 650489 | | Screw, 1/4-20 x 5/8" |
| | 110 35349 | | Ground Wire |
| | 119 33015A | | * Gasket, Cylinder head |
| | 120 33016A | | Head, Cylinder (Incl. 131) |
| | 125 32644A | | Intake Valve (STD)(Incl.151) (Inverted Ports) |
| | 125 32645A | | Intake Valve (1/32" OS)(Incl.151) (Inverted Ports) |
| | 126 29313C | | Exhaust Valve (STD)(Incl. 151) (Inverted Ports) |
| | 126 29315C | | Exhaust Valve (1/32" OS)(Incl. 151) (Inverted Ports) |
| | 127 26073 | | Washer (Not used in late production) |

| Ref # | Part Number | Qty | Description |
|-------|-------------|-----|---|
| 127 | 650691 | | Washer (Used on late production) |
| 130 | 6021A | | Screw, 5/16-18 x 1-1/2" (Use as required) |
| 130 | 650818 | | Screw, 5/16-18 x 1-1/2" (Use as required) |
| 131 | 650694A | | Screw, 5/16-18 x 2" (Use as required) |
| 131 | 650697A | | Screw, 5/16-18 x 2-1/2" (Use as required) |
| 135 | 33636 | | Spark Plug (J-8C) |
| 149 | 31671 | | Valve Spring Cap (Used in early production) |
| 150 | 31672 | | Spring, Valve |
| 151 | 31673 | | Cap, Lower valve spring |
| 169 | 31619A | | * Gasket, Valve spring cover |
| 170 | 31337A | | Body Assy., Breather (Incl. 169 & 171) |
| 171 | 31410 | | Element, Breather |
| 174 | 650128 | | Screw, 10-24 x 1/2" |
| 178 | 29752 | | Nut & Lockwasher, 1/4-28 |
| 181 | 6201 | | Screw, 1/4-28 x 7/8" |
| 182 | 6201 | | Screw, 1/4-28 x 7/8" |
| 184 | 26756 | | * Gasket, Carburetor |
| 185 | 32650 | | Pipe, Intake |
| 186 | 32653 | | Link, Governor spring |
| 200 | 32181A | | Control Bracket (Incl. 203, 204 & 206) |
| 203 | 31342 | | Spring, Compression |
| 204 | 650549 | | Screw, 5-40 x 7/16" |
| 206 | 610973 | | Terminal Assy. |
| 207 | 33133 | | Link, Governor-to-throttle |
| 209 | 30200 | | Screw, 10-24 x 9/16" |
| 210 | 27793 | | Clip, Conduit |
| 211 | 28942 | | Screw, 10-32 x 3/8" |
| 223 | 650664 | | Screw, 1/4-20 x 1-19/32" |
| 224 | 32649A | | * Gasket, Intake |
| 238 | 650707 | | Screw, 10-32 x 5/8" |
| 239 | 33051 | | * Gasket, Air cleaner |
| 240B | 33005 | | Body, Air cleaner |
| 246B | 33006 | | Element, Air cleaner |
| 248 | 33008 | | Tube, Air cleaner |
| 250A | 33007 | | Cover, Air cleaner |
| 260 | 33738D | | Blower Housing NOTE: Replacement hardware may differ when servicing starter Assy. or blower housing. Refer to Service Bulletin 508. |
| 261 | 650561 | | Screw, 1/4 20 x 5/8" |
| 274 | 26754A | | * Gasket, Exhaust |
| 275 | 35771 | | Muffler (Incl. 274) |
| 277 | 30063 | | Screw, Torx T-30, 1/4-20 x 1/2" (Use as req.) |
| 285A | 33667 | | Cup, Starter |
| 286 | 33668 | | Screen, Starter cup |
| 287 | 30513 | | Screw & Lockwasher, 1/4-28 x 1/2" |
| 287 | | | Pop Rivet (Purchase locally) (3/16" d ia.) |
| 287 | 29716 | | Screw, 1/4-28 x 7/16" (Use as required) |
| 287A | 29752 | | Nut & Lockwasher, 1/4-28 (Use as required) |
| 290 | 29774 | | Fuel Line(Braided 8-1/4")(21 cm)(Use as req.) |
| 290 | 34357 | | Fuel Line (Epichlorohydrin 6-3/4") (1 7 cm) |
| 290 | 30705 | | Fuel Line (Braided 16")(40 cm)(Use as req.) |
| 292 | 26460 | | Fuel Line Clamp (Use as required) |
| 300 | 32671 | | Fuel Tank (Incl. 292 & 301) |
| 301 | 410144B | | Fuel Cap (Std.) (Use as required) |
| 301 | 33032 | | Fuel Cap (Use as required) |
| 301 | 34210 | | Fuel Cap (use as required) |
| 311 | 27625 | | Plug, Oil filler (Incl. 312) |

| Ref # | Part Number | Qty | Description |
|-------|-------------|-----|---|
| 312 | 29673 | | * Gasket, Oil filler |
| 313 | 33876 | | Gasket, Stator |
| 325A | 27275 | | Clip, Hi-tension wire (Use as require d) |
| 370A | 550223 | | Name & Instruction Decal |
| 370 | 34346 | | Decal, Instruction |
| 375 | 610942A | | Magneto NOTE: This magneto is not available as an assembly. The magneto number is shown for reference purposes only. Order component parts individually, as shown in parts breakdown. Refer to Division 5, Section B, page35 or Fiche 6, Grid F-13 for breakdown) |
| 377 | 30547A | | Contact Assy., Breaker |
| 378 | 30548B | | Condenser |
| 379 | 631021 | | Inlet Needle, Seat & Clip Assy. |
| 380 | 631597 | | Carburetor (Incl. 184) Refer to Division 5, SectionA, page 104 or Fiche 6, Grid E-1 for breakdown) |
| 390 | 590420A | | Rewind Starter NOTE: Replacement hardware may differ when servicing starter assy. or blower housing. Refer to Service Bulletin 508. (Refer to Division 5, Section C, page 25 or Fiche 6, Grid G-3 for breakdown) |
| 400 | 33238D | | * Gasket Set (Incl. items marked *) |
| 420 | 730225 | | SAE 30 4-Cycle Engine Oil (Quart) |

ILLUSTRATION SHOWS TYPICAL PARTS ONLY. ORDER BY PART NUMBER. PARTS NOT LISTED ARE SUPPLIED BY OEM.



| Ref # | Part Number | Qty | Description |
|-------|-------------|-----|---|
| | 19 31386 | | Spring, Governor |
| | 32 32323 | | Washer, Thrust |
| | 92 650815 | | Washer, Belleville |
| | 93 650607 | | Nut, Flywheel |
| | 182 6201 | | Screw, 1/4-28 x 7/8" |
| | 261 650561 | | Screw, 1/4 20 x 5/8" |
| | 262 650561 | | Screw, 1/4-20 x 5/8" |
| | 287 30513 | | Screw & Lockwasher, 1/4-28 x 1/2" |
| | 287 | | Pop Rivet (Purchase locally) (3/16" d ia.) |
| | 287 29716 | | Screw, 1/4-28 x 7/16" (Use as require d) |
| | 306 34282 | | "O" Ring (This "O" ring is required with metal fill tube only when replacement mounting flange with .777 dia. oil fill hole has been used.) |
| 370A | 550223 | | Name & Instruction Decal |
| 370 | 34346 | | Decal, Instruction |
| 379 | 631021 | | Inlet Needle, Seat & Clip Assy. |
| 1175 | 590441 | | Bracket Ass'y. (Use as required) |
| 1176 | 650639 | | Open End Rivet (Use as required) |

ILLUSTRATION SHOWS TYPICAL PARTS ONLY. ORDER BY PART NUMBER. PARTS NOT LISTED ARE SUPPLIED BY OEM.



| Ref # | Part Number | Qty | Description |
|-------|-------------|-----|--|
| 19 | 31386 | | Spring, Governor |
| 32 | 32323 | | Washer, Thrust |
| 169 | 31619A | | * Gasket, Valve spring cover |
| 171 | 31410 | | Element, Breather |
| 174 | 650128 | | Screw, 10-24 x 1/2" |
| 182 | 6201 | | Screw, 1/4-28 x 7/8" |
| 238 | 650707 | | Screw, 10-32 x 5/8" |
| 262 | 650561 | | Screw, 1/4-20 x 5/8" |
| 274 | 26754A | | * Gasket, Exhaust |
| 277A | 650774 | | Screw, 1/4-20 x 2-3/8" |
| 277 | 30063 | | Screw, Torx T-30, 1/4-20 x 1/2" (Use as req.) |
| 287 | 30513 | | Screw & Lockwasher, 1/4-28 x 1/2" |
| 287 | | | Pop Rivet (Purchase locally) (3/16" d ia.) |
| 287 | 29716 | | Screw, 1/4-28 x 7/16" (Use as require d) |
| 290 | 29774 | | Fuel Line(Braided 8-1/4")(21 cm)(Use as req.) |
| 290 | 34357 | | Fuel Line (Epichlorohydrin 6-3/4") (1 7 cm) |
| 290 | 30705 | | Fuel Line (Braided 16")(40 cm)(Use as req.) |
| 292 | 26460 | | Fuel Line Clamp (Use as required) |
| 415 | 730162 | | Muffler Adapter Kit (Incl. 274 & 277A) (Inverted Ports) |