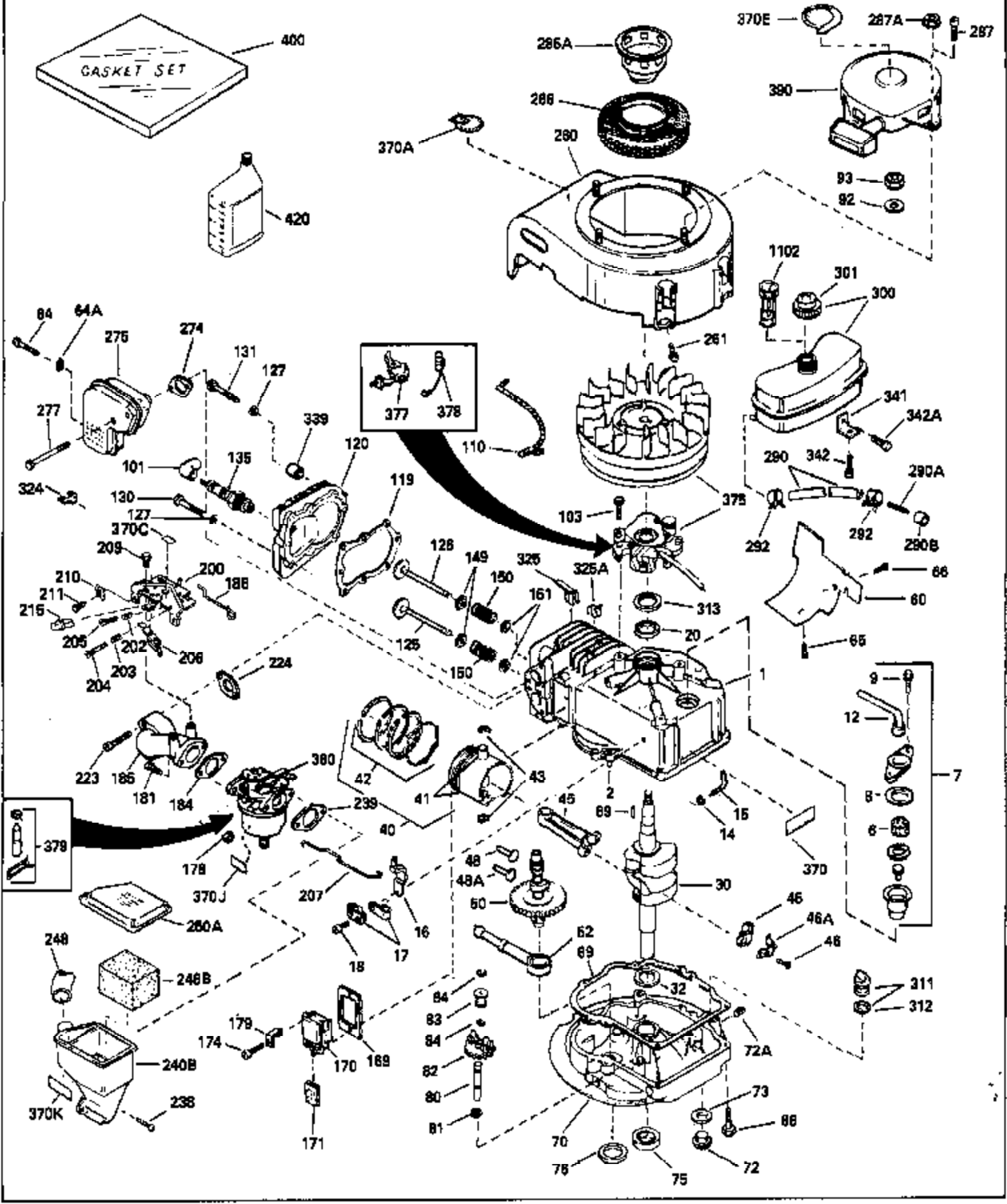


ILLUSTRATION SHOWS TYPICAL PARTS ONLY. ORDER BY PART NUMBER. PARTS NOT LISTED ARE SUPPLIED BY OEM.

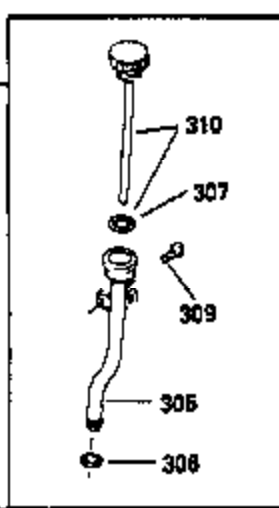
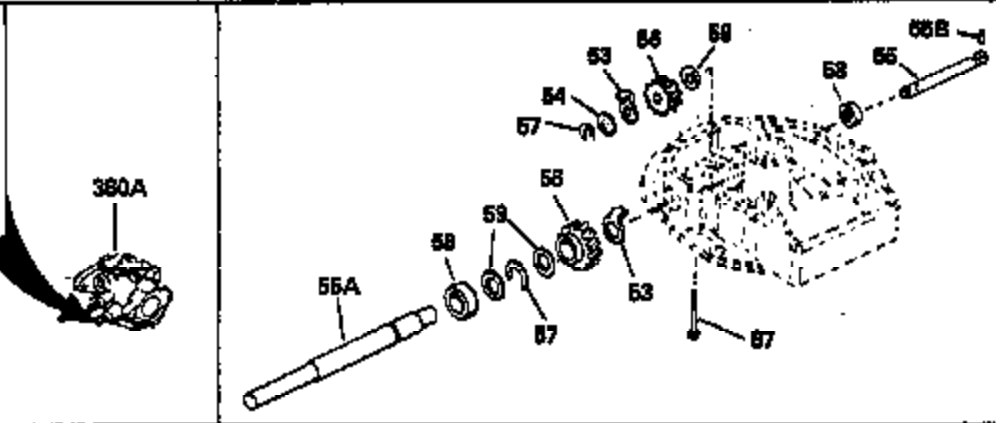
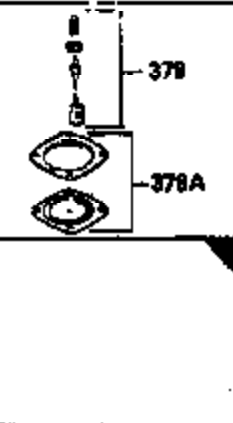
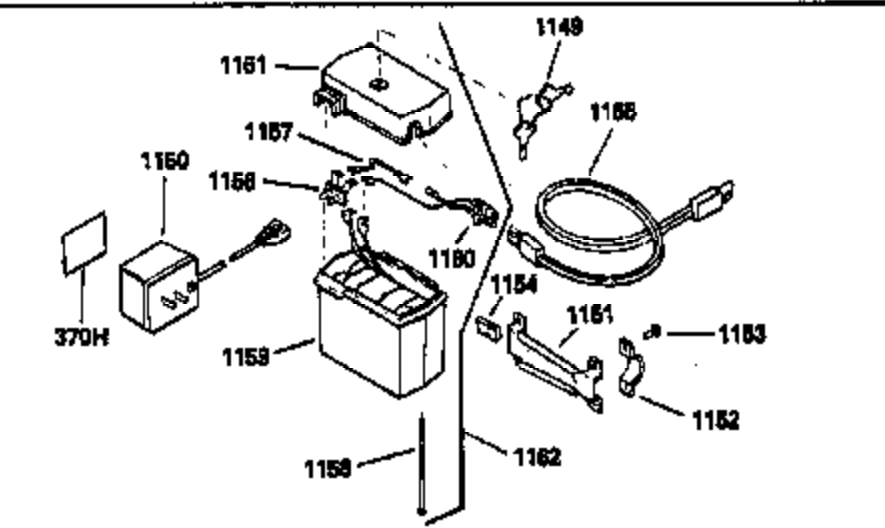
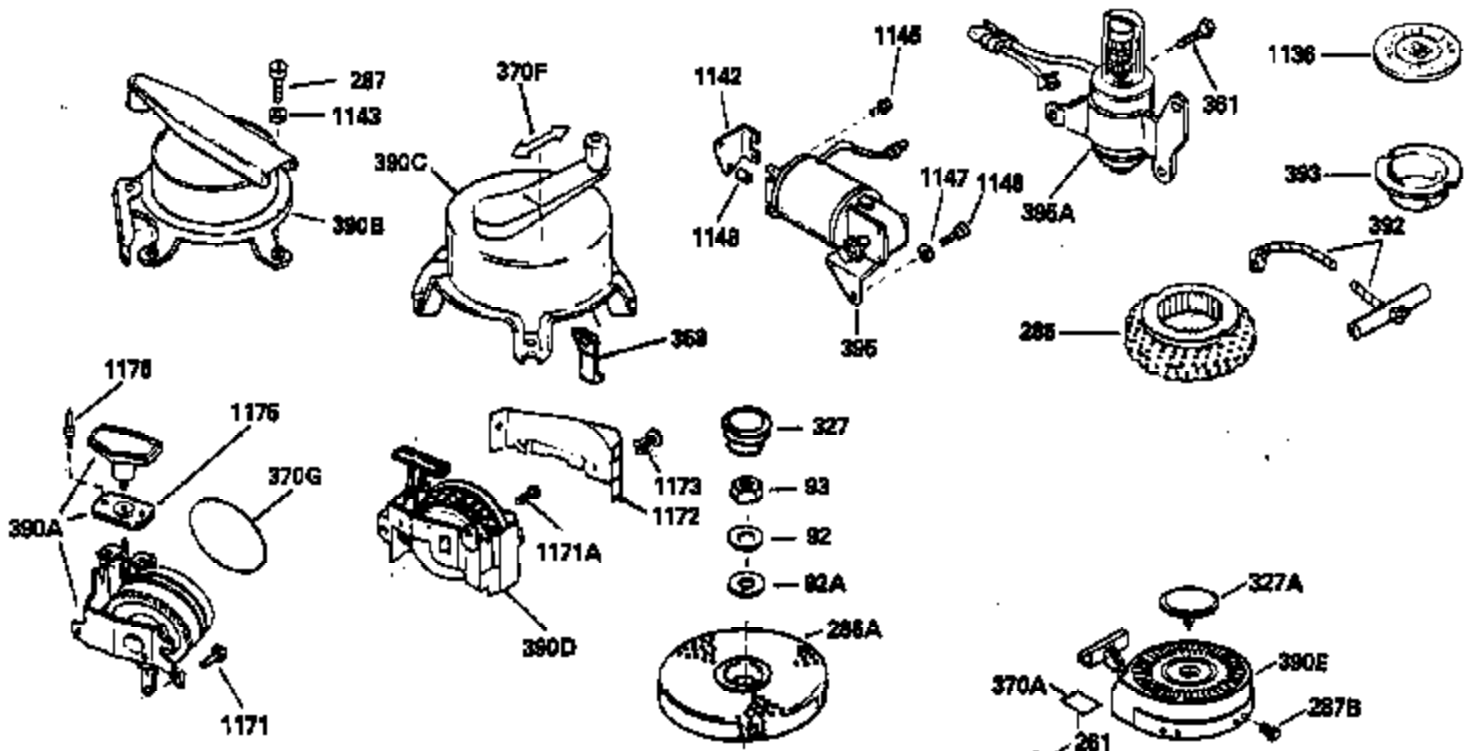


| Ref # | Part Number | Qty | Description   |
|-------|-------------|-----|---|
| 1     | 32601A      |     | Cylinder (Incl. 2, 20, 119 & 120) (2- 5/8")   |
| 2     | 26727       |     | Pin, Dowel  |
| 14    | 28277       |     | Washer, Flat  |
| 15    | 31513       |     | Rod, Governor   |
| 16    | 31383A      |     | Lever, Governor   |
| 17    | 31335       |     | Clamp, Governor lever (Clamp is positioned towardspark plug end on 1977-78 and latermodels. It is positioned opposite spark plugend on earlier models.) |
| 18    | 650548      |     | Screw, 8-32 x 5/16"   |
| 19    | 31386       |     | Spring, Governor  |
| 20    | 32600       |     | Seal, Oil   |
| 30    | 32885B      |     | Crankshaft  |
| 40    | 34851       |     | Piston, Pin & Ring Set (Std.) (2-5/8" Bore)   |
| 40    | 34852       |     | Piston, Pin & Ring Set (.010" OS)   |
| 40    | 34853       |     | Piston, Pin & Ring Set (.020" OS)   |
| 41    | 32603B      |     | Piston & Pin Ass'y.(Std.)(Incl. 43)(2 -5/8")  |
| 41    | 32604B      |     | Piston & Pin Ass'y. (.010" OS) (Incl. 43)   |
| 41    | 32605B      |     | Piston & Pin Ass'y. (.020" OS) (Incl. 43)   |
| 42    | 34854       |     | Ring Set (Std.) (2-5/8" Bore)   |
| 42    | 34855       |     | Ring Set (.010" OS)   |
| 42    | 34856       |     | Ring Set (.020" OS)   |
| 43    | 20381       |     | Ring, Piston pin retaining  |
| 45    | 32875       |     | Rod Assy., Connecting (Incl. 18)  |
| 46A   | 32609       |     | Plate, Lock (Do not use with 32610A locking type screw)   |
| 46    | 32610       |     | Connecting Rod Bolt (Early Production )   |
| 46    | 32610A      |     | Bolt, Connecting rod  |
| 48    | 27241       |     | Lifter, Exhaust valve   |
| 48A   | 32646       |     | Lifter, Intake valve  |
| 50    | 32647       |     | Camshaft (MCR)  |
| 52    | 29914       |     | Pump Assy., Oil   |
| 60    | 29745       |     | Extension, Blower housing   |
| 66    | 30063       |     | Screw, Torx T-30, 1/4-20 x 1/2"   |
| 69    | 35261       |     | * Gasket, Mounting flange   |
| 70    | 33521D      |     | Flange Ass'y. (Incl. 58, 72, 75, 80 & 306)  |
| 72    | 30572       |     | Plug, Oil drain (Incl. 73)  |
| 72A   | 9556        |     | Oil Drain Plug (Use as required)  |
| 73    | 28833       |     | * Drain Plug Gasket (Do not use w/plast ic plug)  |
| 75    | 26208       |     | Seal, Oil   |
| 80    | 30574       |     | Shaft, Mechanical governor  |
| 81    | 30590A      |     | Washer, Flat  |
| 82    | 30591       |     | Gear Assy., Governor (Incl. 81)   |
| 83    | 30588A      |     | Spool, Governor   |
| 84    | 29193       |     | Ring, Retaining   |
| 86    | 650488      |     | Screw, 1/4-20 x 1-1/4"  |
| 89    | 610951      |     | Key, Flywheel   |
| 92    | 650815      |     | Washer, Belleville  |
| 93    | 650607      |     | Nut, Flywheel   |
| 103   | 650489      |     | Screw, 1/4-20 x 5/8"  |
| 110   | 35349       |     | Ground Wire   |
| 119   | 32643A      |     | * Gasket, Cylinder head   |
| 120   | 30579A      |     | Head, Cylinder (Incl. 131)  |
| 125   | 32644A      |     | Intake Valve (STD)(Incl.151) (Inverte d Ports)  |
| 125   | 32645A      |     | Intake Valve (1/32" OS)(Incl.151) (Inverted Ports)  |
| 126   | 29313C      |     | Exhaust Valve (STD)(Incl. 151) (Inverted Ports)   |
| 126   | 29315C      |     | Exhaust Valve (1/32" OS)(Incl. 151) (Inverted Ports)  |
| 127   | 26073       |     | Washer (Not used in late production)  |
| 127   | 650691      |     | Washer (Used on late production)  |

| Ref # | Part Number | Qty | Description  |
|-------|-------------|-----|--|
| 130   | 6021A       |     | Screw, 5/16-18 x 1-1/2" (Use as required)  |
| 130   | 650818      |     | Screw, 5/16-18 x 1-1/2" (Use as required)  |
| 131   | 650694A     |     | Screw, 5/16-18 x 2" (Use as required)  |
| 131   | 650697A     |     | Screw, 5/16-18 x 2-1/2" (Use as required)  |
| 135   | 33636       |     | Spark Plug (J-8C)  |
| 149   | 31671       |     | Valve Spring Cap) (Used in early production)   |
| 150   | 31672       |     | Spring, Valve  |
| 151   | 31673       |     | Cap, Lower valve spring  |
| 169   | 31619A      |     | * Gasket, Valve spring cover   |
| 170   | 31337A      |     | Body Assy., Breather (Incl. 169 & 171 )  |
| 171   | 31410       |     | Element, Breather  |
| 174   | 650128      |     | Screw, 10-24 x 1/2"  |
| 178   | 29752       |     | Nut & Lockwasher, 1/4-28   |
| 181   | 6201        |     | Screw, 1/4-28 x 7/8"   |
| 182   | 6201        |     | Screw, 1/4-28 x 7/8"   |
| 184   | 31688A      |     | * Gasket, Carburetor   |
| 185   | 32656       |     | Pipe, Intake   |
| 186   | 32653       |     | Link, Governor spring  |
| 200   | 32181A      |     | Control Bracket (Incl. 203, 204 & 206 )  |
| 203   | 31342       |     | Spring, Compression  |
| 204   | 650549      |     | Screw, 5-40 x 7/16"  |
| 206   | 610973      |     | Terminal Assy.   |
| 207   | 32652       |     | Link, Governor-to-throttle   |
| 209   | 30200       |     | Screw, 10-24 x 9/16"   |
| 210   | 27793       |     | Clip, Conduit  |
| 211   | 28942       |     | Screw, 10-32 x 3/8"  |
| 223   | 650517      |     | Screw, 1/4-20 x 13/16"   |
| 224   | 32649A      |     | * Gasket, Intake   |
| 238   | 28820       |     | Screw, 10-32 x 1/2"  |
| 239   | 27272A      |     | * Gasket, Air cleaner  |
| 260   | 32455B      |     | Housing, Blower NOTE: Replacement hardware may differ when servicing starter assy. or blower housing. Refer to Service Bulletin 508. |
| 261   | 650561      |     | Screw, 1/4 20 x 5/8"   |
| 274   | 26754A      |     | * Gasket, Exhaust  |
| 275   | 35771       |     | Muffler (Incl. 274)  |
| 277   | 30063       |     | Screw, Torx T-30, 1/4-20 x 1/2" (Use as req.)  |
| 287A  | 29752       |     | Nut & Lockwasher, 1/4-28 (Use as required)   |
| 287   | 29716       |     | Screw, 1/4-28 x 7/16" (Use as required)  |
| 287   | 30513       |     | Screw & Lockwasher, 1/4-28 x 1/2"  |
| 287   |             |     | Pop Rivet (Purchase locally) (3/16" dia.)  |
| 290B  | 29774       |     | Connector, Fuel line (Braided 8-1/4") (21cm)   |
| 290A  | 31400       |     | Fuel Line (Metal 3-3/8")   |
| 290   | 29774       |     | Fuel Line(Braided 8-1/4")(21 cm)(Use as req.)  |
| 290   | 34357       |     | Fuel Line (Epichlorohydrin 6-3/4") (1 7 cm)  |
| 290   | 30705       |     | Fuel Line (Braided 16")(40 cm)(Use as req.)  |
| 292   | 26460       |     | Fuel Line Clamp (Use as required)  |
| 300   | 31862A      |     | Fuel Tank (Incl. 301)  |
| 301   | 410144B     |     | Fuel Cap (Std.) (Use as required)  |
| 301   | 33032       |     | Fuel Cap (Use as required)   |
| 301   | 34210       |     | Fuel Cap (use as required)   |
| 305   | 32750       |     | Oil Fill Tube  |
| 325A  | 27275       |     | Clip, Hi-tension wire (Use as required)  |
| 370   | 31353       |     | Decal, Instruction   |

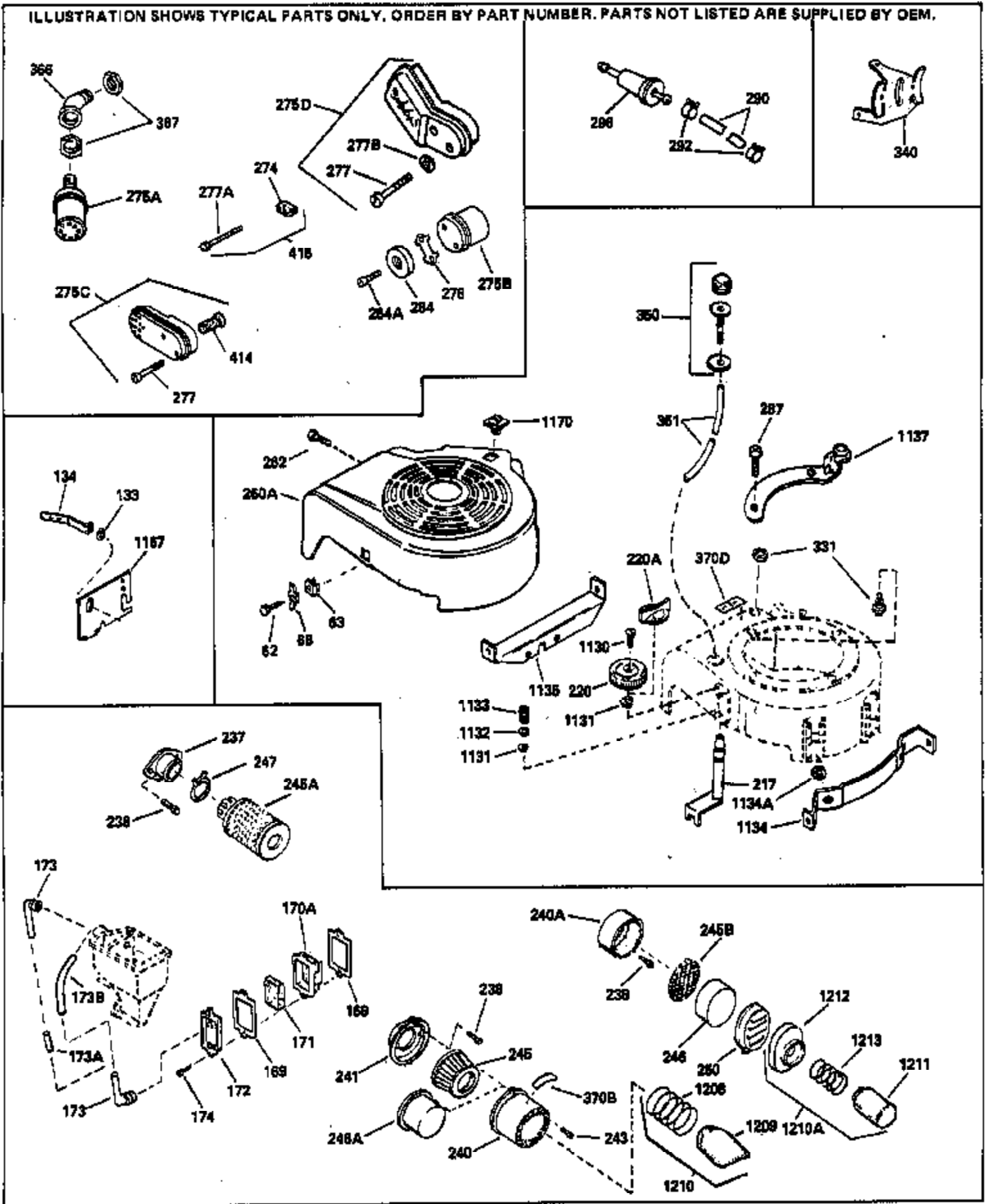
| Ref # | Part Number | Qty | Description   |
|-------|-------------|-----|---|
| 375   | 610755      |     | Magneto (W/Ring Gear) NOTE: This magneto is not available as an assembly. The magneto number is shown for reference purposes only. Order component parts individually, as shown in parts breakdown. Refer to Division 5, Section B, page24 or Fiche 6, Grid F-11 for breakdown) |
| 377   | 30547A      |     | Contact Assy., Breaker  |
| 378   | 30548B      |     | Condenser   |
| 379   | 630932A     |     | Inlet Needle, Seat, Gasket & Spring A ssy.  |
| 400   | 33238D      |     | * Gasket Set (Incl. items marked *)   |
| 420   | 730225      |     | SAE 30 4-Cycle Engine Oil (Quart)   |
| 1102  | 29553A      |     | Gauge, Visual fuel  |

ILLUSTRATION SHOWS TYPICAL PARTS ONLY. ORDER BY PART NUMBER. PARTS NOT LISTED ARE SUPPLIED BY OEM.



| Ref # | Part Number  | Qty | Description   |
|-------|--------------|-----|---|
|       | 19 31386     |     | Spring, Governor  |
|       | 53 31745     |     | Washer, Tang  |
|       | 54 31787     |     | Washer, Flat  |
|       | 55 31748     |     | PTO Shaft (Incl. 54)  |
|       | 56 31746     |     | Gear, Worm  |
|       | 57 31749     |     | Ring, Retaining   |
|       | 58 31744     |     | Seal, Oil   |
|       | 59 31747     |     | Washer, Flat  |
|       | 87 650492    |     | Screw, 1/4-20 x 2-1/4"  |
|       | 92 650815    |     | Washer, Belleville  |
|       | 93 650607    |     | Nut, Flywheel   |
|       | 182 6201     |     | Screw, 1/4-28 x 7/8"  |
|       | 261 650561   |     | Screw, 1/4 20 x 5/8"  |
|       | 262 650561   |     | Screw, 1/4-20 x 5/8"  |
|       | 286A 32237   |     | Screen, Flywheel  |
|       | 287 29716    |     | Screw, 1/4-28 x 7/16" (Use as require d)  |
|       | 287 30513    |     | Screw & Lockwasher, 1/4-28 x 1/2"   |
|       | 287          |     | Pop Rivet (Purchase locally) (3/16" d ia.)  |
|       | 305 32750    |     | Oil Fill Tube   |
|       | 306 34282    |     | "O" Ring (This "O" ring is required with metal fill tube only when replacement mounting flange with .777 dia. oil fill hole has been used.)   |
|       | 306 30139    |     | "O" Ring  |
|       | 307 29985    |     | "O" Ring  |
|       | 309 650562   |     | Screw, 10-32 x 1/2"   |
|       | 310 30140    |     | Dipstick (Incl. 307)  |
|       | 370 31353    |     | Decal, Instruction  |
|       | 379 630932A  |     | Inlet Needle, Seat, Gasket & Spring A ssy.  |
|       | 379A 630978  |     | Diaphragm Assy. (Incl. gasket)  |
|       | 380A 631448  |     | Carburetor (Incl. 184) (Refer to Division 5, Section A, page 96 or Fiche 6, Grid D-11 for breakdown)  |
|       | 390A 590429A |     | Side Mount Rewind Starter NOTE: Replacement hardware may differ when servicing starter assy. or blower housing. Refer to Service Bulletin 508. (Refer to Division 5, Section C, page 27 or Fiche 6, Grid G-4 for breakdown) |
|       | 1171 30063   |     | Screw, 1/4-20 x 1/2"  |
|       | 1175 590441  |     | Bracket Ass'y. (Use as required)  |
|       | 1176 650639  |     | Open End Rivet (Use as required)  |

ILLUSTRATION SHOWS TYPICAL PARTS ONLY. ORDER BY PART NUMBER. PARTS NOT LISTED ARE SUPPLIED BY OEM.



| Ref # | Part Number | Qty | Description  |
|-------|-------------|-----|--|
|       | 19 31386    |     | Spring, Governor   |
|       | 169 31619A  |     | * Gasket, Valve spring cover                             |
|       | 171 31410   |     | Element, Breather  |
|       | 174 650128  |     | Screw, 10-24 x 1/2"                                      |
|       | 182 6201    |     | Screw, 1/4-28 x 7/8"                                     |
|       | 238 28820   |     | Screw, 10-32 x 1/2"                                      |
|       | 240A 31312  |     | Body, Air cleaner  |
|       | 245B 29962  |     | Screen, Air cleaner                                      |
|       | 246 29961   |     | Element, Air cleaner                                     |
|       | 262 650561  |     | Screw, 1/4-20 x 5/8"                                     |
|       | 274 26754A  |     | * Gasket, Exhaust  |
|       | 277 30063   |     | Screw, Torx T-30, 1/4-20 x 1/2" (Use as req.)            |
|       | 277A 650774 |     | Screw, 1/4-20 x 2-3/8"                                   |
|       | 287 29716   |     | Screw, 1/4-28 x 7/16" (Use as require d)                 |
|       | 287 30513   |     | Screw & Lockwasher, 1/4-28 x 1/2"                        |
|       | 287         |     | Pop Rivet (Purchase locally) (3/16" d ia.)               |
|       | 290 29774   |     | Fuel Line(Braided 8-1/4")(21 cm)(Use as req.)            |
|       | 290 34357   |     | Fuel Line (Epichlorohydrin 6-3/4") (1 7 cm)              |
|       | 290 30705   |     | Fuel Line (Braided 16")(40 cm)(Use as req.)              |
|       | 292 26460   |     | Fuel Line Clamp (Use as required)                        |
|       | 305 32750   |     | Oil Fill Tube  |
|       | 350 570629A |     | Primer Assy. (Incl. 185, 186 & 187)                      |
|       | 351 32180C  |     | Line, Primer   |
|       | 370B 30002  |     | Decal, Air cleaner                                       |
|       | 415 730162  |     | Muffler Adapter Kit (Incl. 274 & 277A ) (Inverted Ports) |
|       | 1210 730510 |     | Pre-cleaner Kit (Incl. 245A, 1211 thr u 1213)            |
|       | 1211 450124 |     | Bag, Pre-cleaner   |
|       | 1212 31612  |     | Cover, Air cleaner                                       |
|       | 1213 450150 |     | Spring, Pre-cleaner bag                                  |