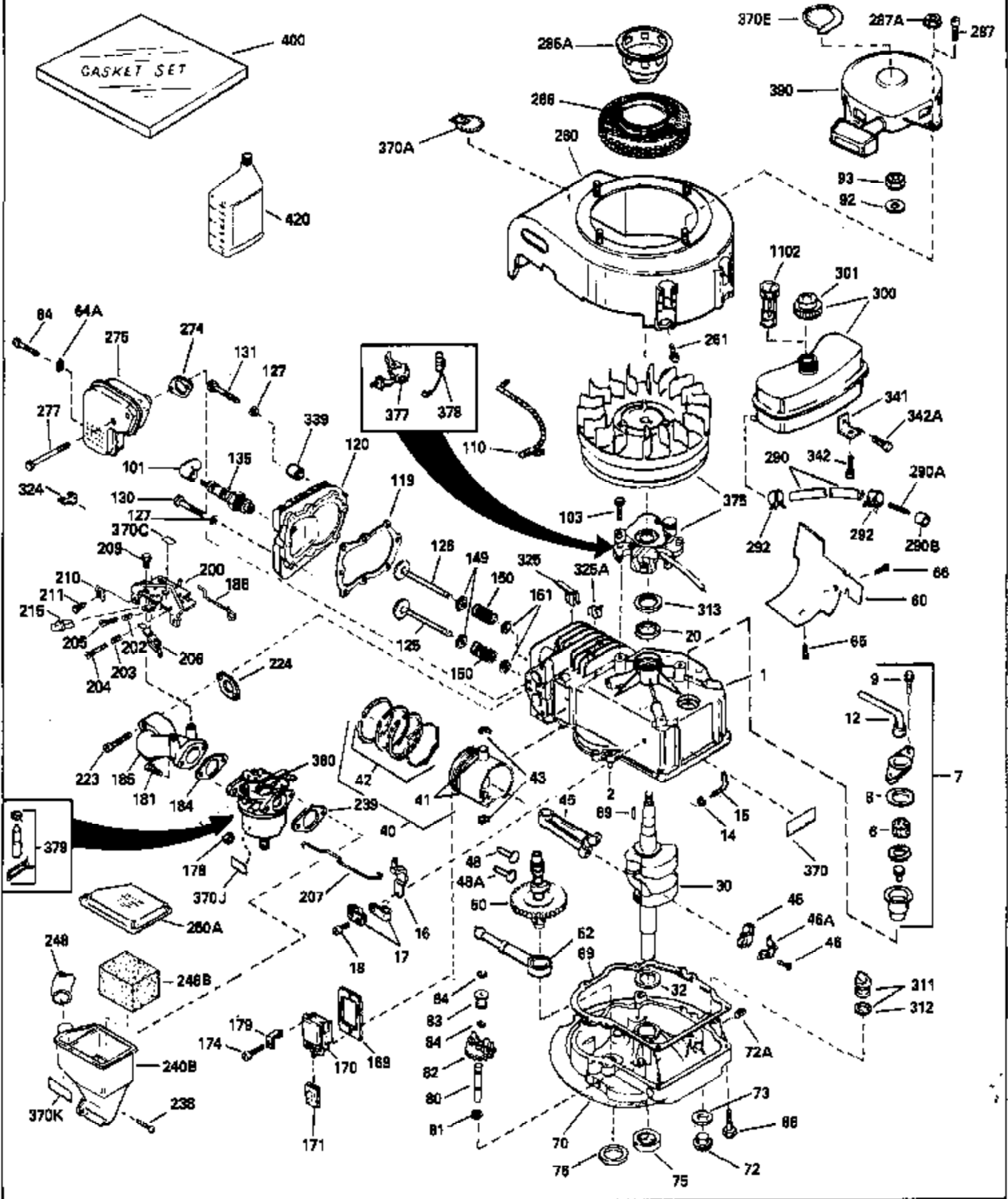


ILLUSTRATION SHOWS TYPICAL PARTS ONLY. ORDER BY PART NUMBER. PARTS NOT LISTED ARE SUPPLIED BY OEM.

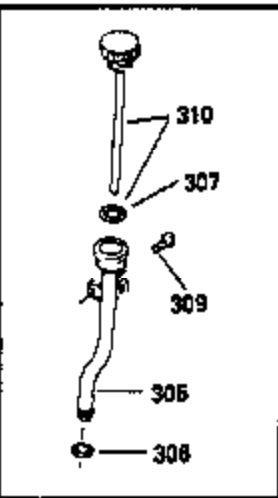
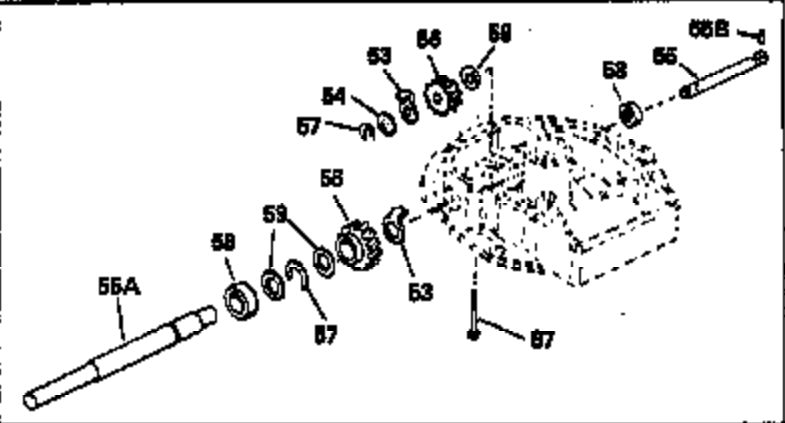
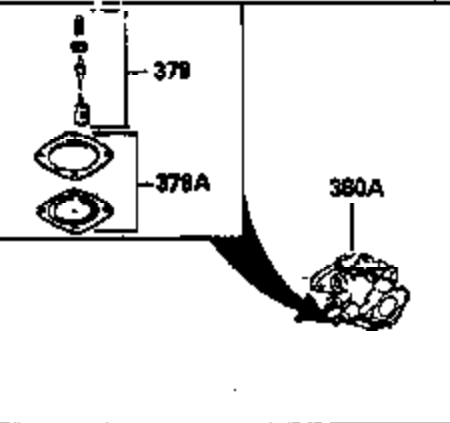
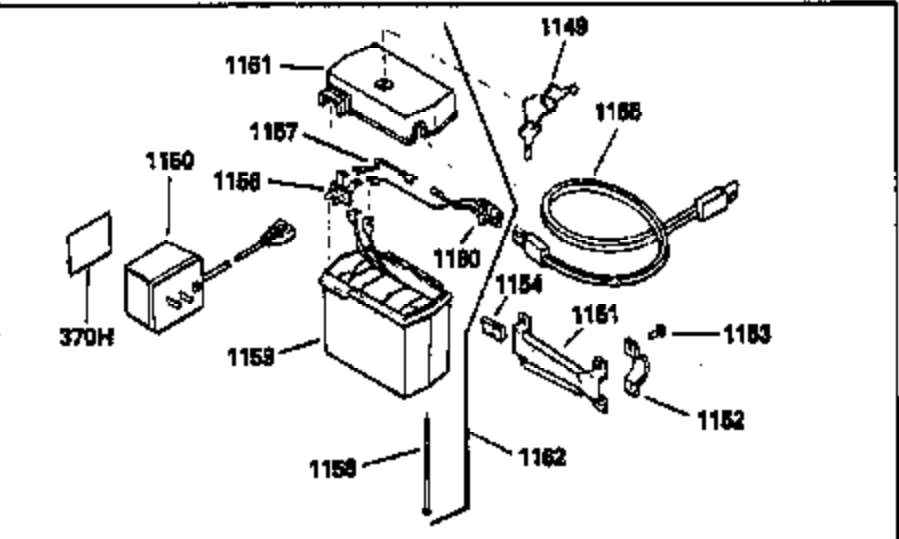
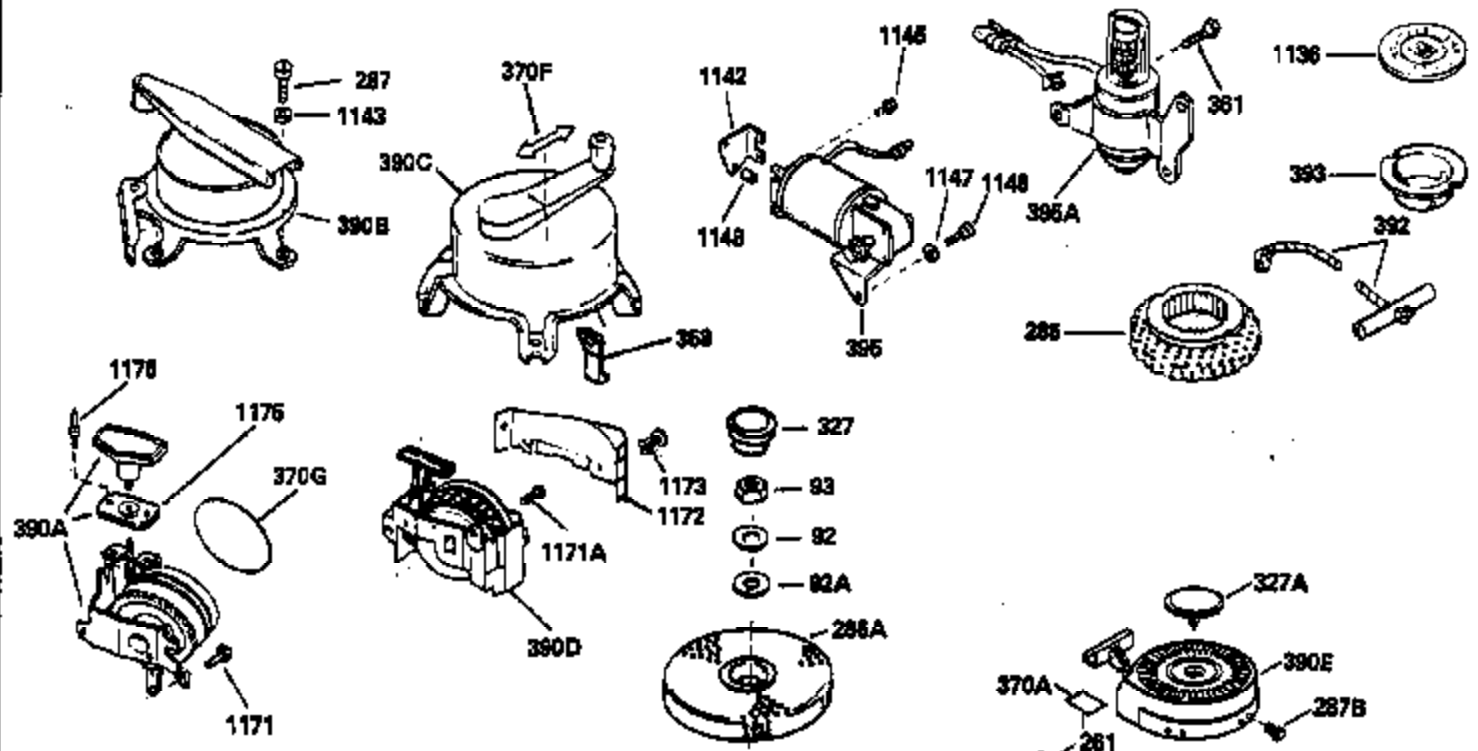


| Ref # | Part Number | Qty | Description   |
|-------|-------------|-----|---|
| 1     | 32601A      |     | Cylinder (Incl. 2, 20, 119 & 120) (2- 5/8")   |
| 2     | 26727       |     | Pin, Dowel  |
| 14    | 28277       |     | Washer, Flat  |
| 15    | 31513       |     | Rod, Governor   |
| 16    | 32651       |     | Lever, Governor   |
| 17    | 31335       |     | Clamp, Governor lever (Clamp is positioned towardspark plug end on 1977-78 and latermodels. It is positioned opposite spark plugend on earlier models.) |
| 18    | 650548      |     | Screw, 8-32 x 5/16"   |
| 19    | 31386       |     | Spring, Governor  |
| 20    | 32600       |     | Seal, Oil   |
| 30    | 32693A      |     | Crankshaft (Incl. 45)   |
| 40    | 34851       |     | Piston, Pin & Ring Set (Std.) (2-5/8" Bore)   |
| 40    | 34852       |     | Piston, Pin & Ring Set (.010" OS)   |
| 40    | 34853       |     | Piston, Pin & Ring Set (.020" OS)   |
| 41    | 32603B      |     | Piston & Pin Ass'y.(Std.)(Incl. 43)(2 -5/8")  |
| 41    | 32604B      |     | Piston & Pin Ass'y. (.010" OS) (Incl. 43)   |
| 41    | 32605B      |     | Piston & Pin Ass'y. (.020" OS) (Incl. 43)   |
| 42    | 34854       |     | Ring Set (Std.) (2-5/8" Bore)   |
| 42    | 34855       |     | Ring Set (.010" OS)   |
| 42    | 34856       |     | Ring Set (.020" OS)   |
| 43    | 20381       |     | Ring, Piston pin retaining  |
| 45    | 32875       |     | Rod Assy., Connecting (Incl. 18)  |
| 46    | 32610       |     | Connecting Rod Bolt (Early Production )   |
| 46    | 32610A      |     | Bolt, Connecting rod  |
| 46A   | 32609       |     | Plate, Lock (Do not use with 32610A locking type screw)   |
| 48A   | 32646       |     | Lifter, Intake valve  |
| 48    | 27241       |     | Lifter, Exhaust valve   |
| 50    | 32647       |     | Camshaft (MCR)  |
| 52    | 29914       |     | Pump Assy., Oil   |
| 60    | 29745       |     | Extension, Blower housing   |
| 65    | 650128      |     | Screw, 10-24 x 1/2"   |
| 66    | 30063       |     | Screw, Torx T-30, 1/4-20 x 1/2"   |
| 69    | 35261       |     | * Gasket, Mounting flange   |
| 70    | 33521D      |     | Flange Ass'y. (Incl. 58, 72, 75, 80 & 306)  |
| 72A   | 9556        |     | Oil Drain Plug (Use as required)  |
| 72    | 30572       |     | Plug, Oil drain (Incl. 73)  |
| 73    | 28833       |     | * Drain Plug Gasket (Do not use w/plast ic plug)  |
| 75    | 26208       |     | Seal, Oil   |
| 80    | 30574       |     | Shaft, Mechanical governor  |
| 81    | 30590A      |     | Washer, Flat  |
| 82    | 30591       |     | Gear Assy., Governor (Incl. 81)   |
| 83    | 30588A      |     | Spool, Governor   |
| 84    | 29193       |     | Ring, Retaining   |
| 86    | 650488      |     | Screw, 1/4-20 x 1-1/4"  |
| 89    | 610951      |     | Key, Flywheel   |
| 92    | 650815      |     | Washer, Belleville  |
| 93    | 650607      |     | Nut, Flywheel   |
| 103   | 650489      |     | Screw, 1/4-20 x 5/8"  |
| 110   | 35349       |     | Ground Wire   |
| 119   | 32643A      |     | * Gasket, Cylinder head   |
| 120   | 30579A      |     | Head, Cylinder (Incl. 131)  |
| 125   | 32644A      |     | Intake Valve (STD)(Incl.151) (Inverte d Ports)  |
| 125   | 32645A      |     | Intake Valve (1/32" OS)(Incl.151) (Inverted Ports)  |
| 126   | 29313C      |     | Exhaust Valve (STD)(Incl. 151) (Inverted Ports)   |
| 126   | 29315C      |     | Exhaust Valve (1/32" OS)(Incl. 151) (Inverted Ports)  |
| 127   | 26073       |     | Washer (Not used in late production)  |

| Ref # | Part Number | Qty | Description  |
|-------|-------------|-----|--|
| 127   | 650691      |     | Washer (Used on late production)   |
| 130   | 6021A       |     | Screw, 5/16-18 x 1-1/2" (Use as required)  |
| 130   | 650818      |     | Screw, 5/16-18 x 1-1/2" (Use as required)  |
| 131   | 650694A     |     | Screw, 5/16-18 x 2" (Use as required)  |
| 131   | 650697A     |     | Screw, 5/16-18 x 2-1/2" (Use as required)  |
| 135   | 33636       |     | Spark Plug (J-8C)  |
| 149   | 31671       |     | Valve Spring Cap) (Used in early production)   |
| 150   | 31672       |     | Spring, Valve  |
| 151   | 31673       |     | Cap, Lower valve spring  |
| 169   | 31619A      |     | * Gasket, Valve spring cover   |
| 170   | 31337A      |     | Body Assy., Breather (Incl. 169 & 171 )  |
| 171   | 31410       |     | Element, Breather  |
| 174   | 650128      |     | Screw, 10-24 x 1/2"  |
| 178   | 29752       |     | Nut & Lockwasher, 1/4-28   |
| 181   | 6201        |     | Screw, 1/4-28 x 7/8"   |
| 182   | 6201        |     | Screw, 1/4-28 x 7/8"   |
| 184   | 31688A      |     | * Gasket, Carburetor   |
| 185   | 32650       |     | Pipe, Intake   |
| 186   | 32653       |     | Link, Governor spring  |
| 200   | 32181A      |     | Control Bracket (Incl. 203, 204 & 206 )  |
| 203   | 31342       |     | Spring, Compression  |
| 204   | 650549      |     | Screw, 5-40 x 7/16"  |
| 206   | 610973      |     | Terminal Assy.   |
| 207   | 32652       |     | Link, Governor-to-throttle   |
| 209   | 30200       |     | Screw, 10-24 x 9/16"   |
| 210   | 27793       |     | Clip, Conduit  |
| 211   | 28942       |     | Screw, 10-32 x 3/8"  |
| 223   | 650664      |     | Screw, 1/4-20 x 1-19/32"   |
| 224   | 32649A      |     | * Gasket, Intake   |
| 238   | 28820       |     | Screw, 10-32 x 1/2"  |
| 239   | 27272A      |     | * Gasket, Air cleaner  |
| 260   | 32455B      |     | Housing, Blower NOTE: Replacement hardware may differ when servicing starter assy. or blower housing. Refer to Service Bulletin 508. |
| 261   | 650561      |     | Screw, 1/4 20 x 5/8"   |
| 274   | 26754A      |     | * Gasket, Exhaust  |
| 275   | 35771       |     | Muffler (Incl. 274)  |
| 277   | 30063       |     | Screw, Torx T-30, 1/4-20 x 1/2" (Use as req.)  |
| 287A  | 29752       |     | Nut & Lockwasher, 1/4-28 (Use as required)   |
| 287   | 29716       |     | Screw, 1/4-28 x 7/16" (Use as required)  |
| 287   | 30513       |     | Screw & Lockwasher, 1/4-28 x 1/2"  |
| 287   |             |     | Pop Rivet (Purchase locally) (3/16" dia.)  |
| 290A  | 31400       |     | Fuel Line (Metal 3-3/8")   |
| 290B  | 29774       |     | Connector, Fuel line (Braided 8-1/4") (21cm)   |
| 290   | 29774       |     | Fuel Line(Braided 8-1/4")(21 cm)(Use as req.)  |
| 290   | 34357       |     | Fuel Line (Epichlorohydrin 6-3/4") (17 cm)   |
| 290   | 30705       |     | Fuel Line (Braided 16")(40 cm)(Use as req.)  |
| 292   | 26460       |     | Fuel Line Clamp (Use as required)  |
| 300   | 32671       |     | Fuel Tank (Incl. 292 & 301)  |
| 301   | 410144B     |     | Fuel Cap (Std.) (Use as required)  |
| 301   | 33032       |     | Fuel Cap (Use as required)   |
| 301   | 34210       |     | Fuel Cap (use as required)   |
| 305   | 32750       |     | Oil Fill Tube  |
| 325A  | 27275       |     | Clip, Hi-tension wire (Use as required)  |
| 370   | 34346       |     | Decal, Instruction   |
| 370A  | 550223      |     | Name & Instruction Decal   |
| 370C  | 35344       |     | Decal, Speed control   |

| Ref # | Part Number | Qty | Description   |
|-------|-------------|-----|---|
| 375   | 610755      |     | Magneto (W/Ring Gear) NOTE: This magneto is not available as an assembly. The magneto number is shown for reference purposes only. Order component parts individually, as shown in parts breakdown. Refer to Division 5, Section B, page24 or Fiche 6, Grid F-11 for breakdown) |
| 377   | 30547A      |     | Contact Assy., Breaker  |
| 378   | 30548B      |     | Condenser   |
| 379   | 631021      |     | Inlet Needle, Seat & Clip Assy.   |
| 380   | 631452      |     | Carburetor (Incl. 184) Refer to Division 5, SectionA, page 100 or Fiche 6, Grid D-13 for breakdown)   |
| 400   | 33238D      |     | * Gasket Set (Incl. items marked *)   |
| 420   | 730225      |     | SAE 30 4-Cycle Engine Oil (Quart)   |

ILLUSTRATION SHOWS TYPICAL PARTS ONLY. ORDER BY PART NUMBER. PARTS NOT LISTED ARE SUPPLIED BY OEM.



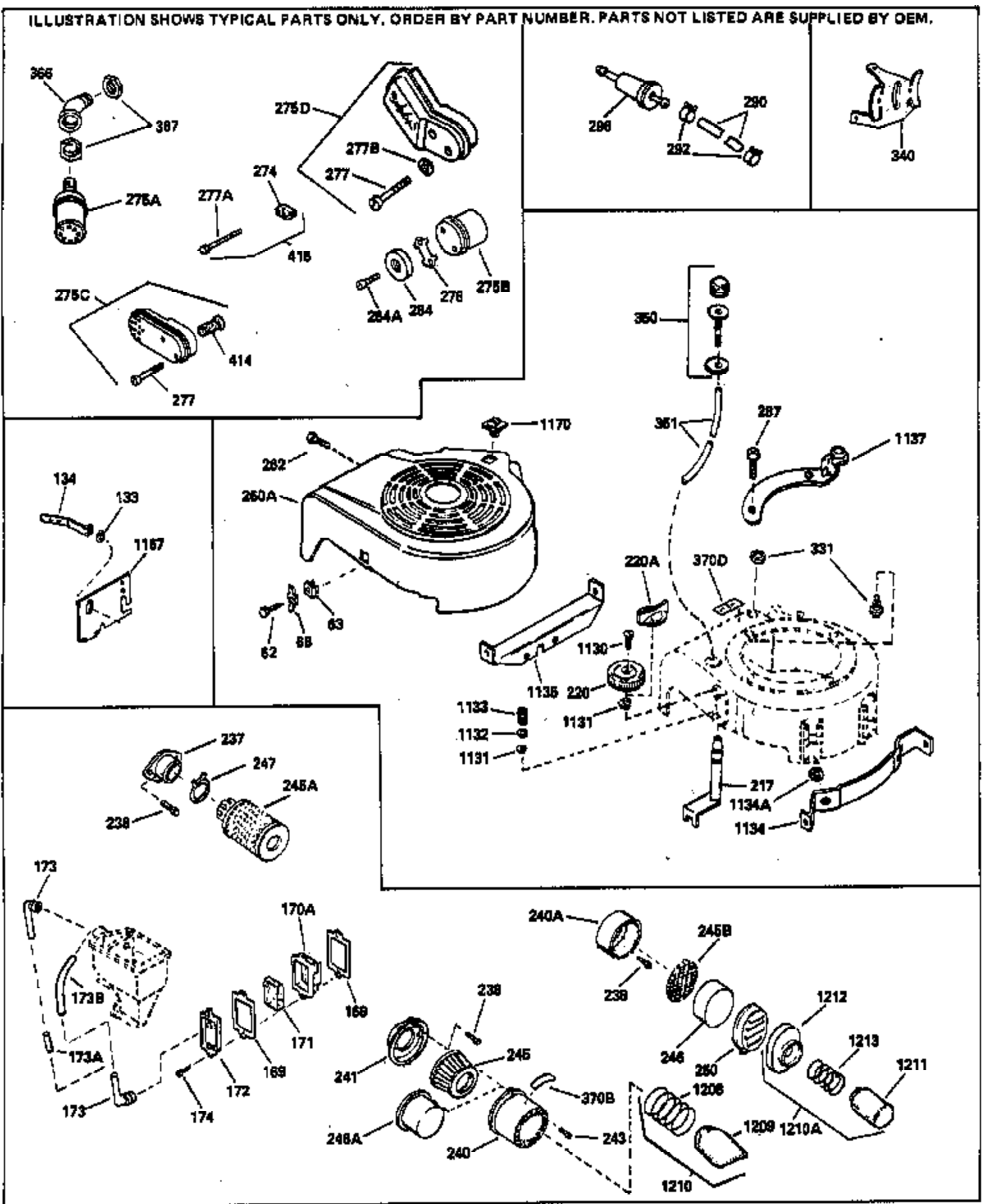
| Ref # | Part Number | Qty | Description   |
|-------|-------------|-----|---|
| 19    | 31386       |     | Spring, Governor  |
| 53    | 31745       |     | Washer, Tang  |
| 54    | 31787       |     | Washer, Flat  |
| 55    | 31748       |     | PTO Shaft (Incl. 54)  |
| 56    | 31746       |     | Gear, Worm  |
| 57    | 31749       |     | Ring, Retaining   |
| 58    | 31744       |     | Seal, Oil   |
| 59    | 31747       |     | Washer, Flat  |
| 87    | 650492      |     | Screw, 1/4-20 x 2-1/4"  |
| 92    | 650815      |     | Washer, Belleville  |
| 93    | 650607      |     | Nut, Flywheel   |
| 182   | 6201        |     | Screw, 1/4-28 x 7/8"  |
| 261   | 650561      |     | Screw, 1/4 20 x 5/8"  |
| 262   | 650561      |     | Screw, 1/4-20 x 5/8"  |
| 287   | 29716       |     | Screw, 1/4-28 x 7/16" (Use as require d)  |
| 287   | 30513       |     | Screw & Lockwasher, 1/4-28 x 1/2"   |
| 287   |             |     | Pop Rivet (Purchase locally) (3/16" d ia.)  |
| 305   | 32750       |     | Oil Fill Tube   |
| 306   | 34282       |     | "O" Ring (This "O" ring is required with metal fill tube only when replacement mounting flange with .777 dia. oil fill hole has been used.) |
| 306   | 30139       |     | "O" Ring  |
| 307   | 29985       |     | "O" Ring  |
| 309   | 650562      |     | Screw, 10-32 x 1/2"   |
| 310   | 30140       |     | Dipstick (Incl. 307)  |
| 370H  | 32998       |     | Decal, Battery Charger  |
| 370A  | 550223      |     | Name & Instruction Decal  |
| 370   | 34346       |     | Decal, Instruction  |
| 379   | 631021      |     | Inlet Needle, Seat & Clip Assy.   |
| 392   | 590343      |     | Rope Assy., Starter   |
| 393   | 34461       |     | Pulley, Starter   |
| 395   | 32721       |     | Electric Side Mount Motor (12 Volt) (Refer to Division 5, Section D, page 12 or Fiche 6, Grid G-8 for breakdown)                            |
| 1136  | 32692       |     | Cap, Pulley   |
| 1142  | 32720       |     | Bracket, Starter mounting   |
| 1143  | 27261       |     | Washer (Use as required)  |
| 1145  | 650561      |     | Screw, 1/4-20 x 5/8"  |
| 1146  | 650802      |     | Screw, 1/4-20 x 5/8"  |
| 1147  | 650675      |     | Washer, Flat  |
| 1148  | 28212       |     | Spacer  |
| 1149  | 32636       |     | Key & Chain Assy.   |
| 1150  | 32659       |     | Charger, Battery (110 Volt) (Domestic )   |
| 1150  | 32861       |     | Charger, Battery (220 Volt) (Export O nly)  |
| 1151  | 32725       |     | Bracket, Battery box  |
| 1152  | 32726       |     | Switch Box Clamp (3/4")   |
| 1152  | 32733       |     | Switch Box Clamp (7/8")   |
| 1153  | 590152      |     | Screw, Retainer   |
| 1154  | 32962       |     | "U" Clip  |
| 1155  | 32986       |     | Starter Cord Assy. (56")  |
| 1156  | 33022       |     | Terminal, Charging  |
| 1157  | 33026       |     | Wire, Terminal  |
| 1158  | 650710      |     | Screw, 8-14 x 3-1/2"  |
| 1159  | 33024       |     | Box, Battery  |
| 1160  | 33023       |     | Plug, Output  |
| 1161  | 33021       |     | Battery Cover Ass'y.(Incl. 1156, 1157 & 1160)   |
| 1162  | 32635A      |     | Battery Box Assy.(Incl.1154 & 1156 th ru 1161)  |
| 1175  | 590441      |     | Bracket Ass'y. (Use as required)  |

---

| Ref # | Part Number | Qty | Description                      |
|-------|-------------|-----|----------------------------------|
| 1176  | 650639      |     | Open End Rivet (Use as required) |

---

ILLUSTRATION SHOWS TYPICAL PARTS ONLY. ORDER BY PART NUMBER. PARTS NOT LISTED ARE SUPPLIED BY OEM.





| Ref # | Part Number | Qty | Description  |
|-------|-------------|-----|--|
|       | 19 31386    |     | Spring, Governor   |
|       | 169 31619A  |     | * Gasket, Valve spring cover                             |
|       | 171 31410   |     | Element, Breather  |
|       | 174 650128  |     | Screw, 10-24 x 1/2"                                      |
|       | 182 6201    |     | Screw, 1/4-28 x 7/8"                                     |
|       | 238 28820   |     | Screw, 10-32 x 1/2"                                      |
|       | 240 31715   |     | Body, Air cleaner  |
|       | 241 31691   |     | Bracket, Air cleaner                                     |
|       | 243 650152  |     | Screw, 8-32 x 3/8"                                       |
|       | 245 30727   |     | Air Cleaner Filter                                       |
|       | 262 650561  |     | Screw, 1/4-20 x 5/8"                                     |
|       | 274 26754A  |     | * Gasket, Exhaust  |
|       | 277A 650774 |     | Screw, 1/4-20 x 2-3/8"                                   |
|       | 277 30063   |     | Screw, Torx T-30, 1/4-20 x 1/2" (Use as req.)            |
|       | 287 29716   |     | Screw, 1/4-28 x 7/16" (Use as require d)                 |
|       | 287 30513   |     | Screw & Lockwasher, 1/4-28 x 1/2"                        |
|       | 287         |     | Pop Rivet (Purchase locally) (3/16" d ia.)               |
|       | 290 29774   |     | Fuel Line(Braided 8-1/4")(21 cm)(Use as req.)            |
|       | 290 34357   |     | Fuel Line (Epichlorohydrin 6-3/4") (1 7 cm)              |
|       | 290 30705   |     | Fuel Line (Braided 16")(40 cm)(Use as req.)              |
|       | 292 26460   |     | Fuel Line Clamp (Use as required)                        |
|       | 305 32750   |     | Oil Fill Tube  |
|       | 370B 31752  |     | Decal, Air cleaner                                       |
|       | 415 730162  |     | Muffler Adapter Kit (Incl. 274 & 277A ) (Inverted Ports) |