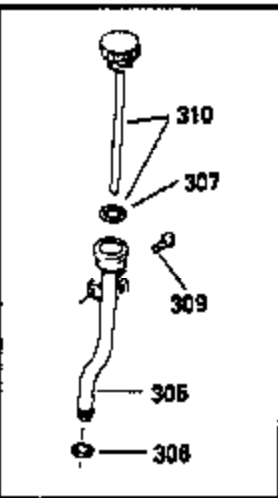
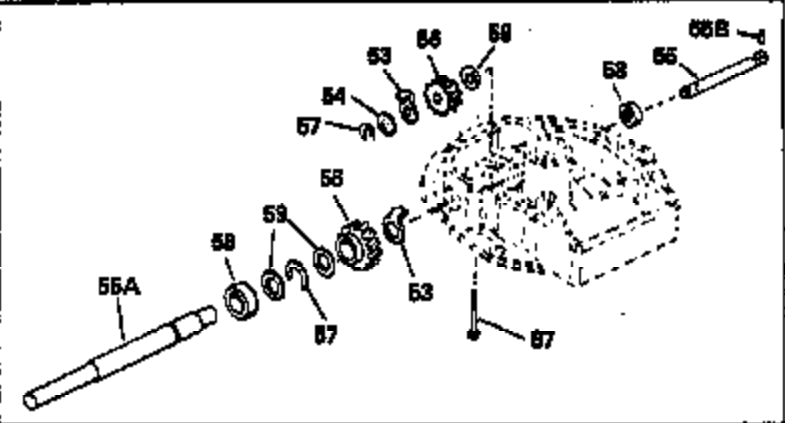
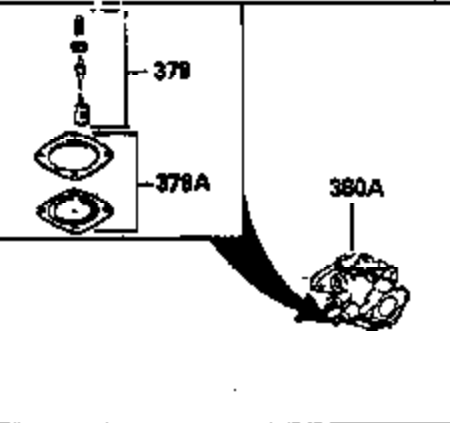
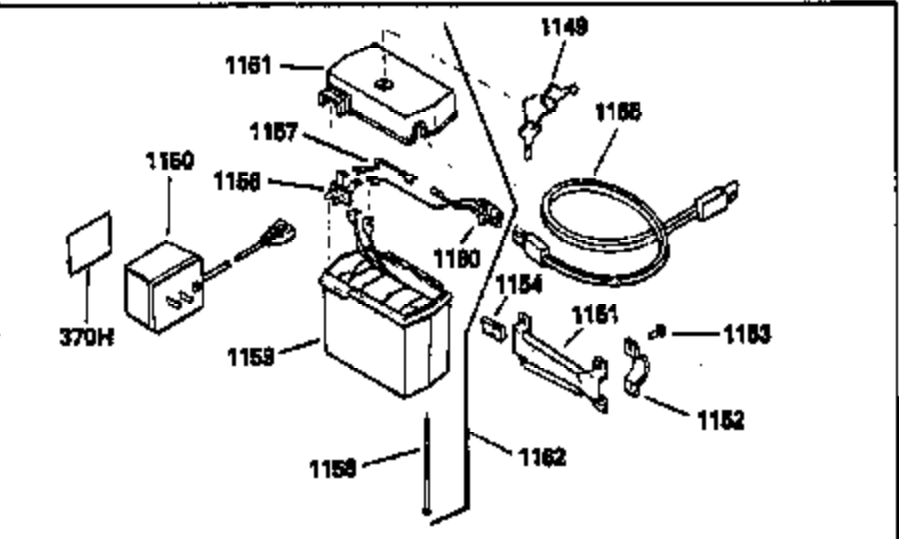
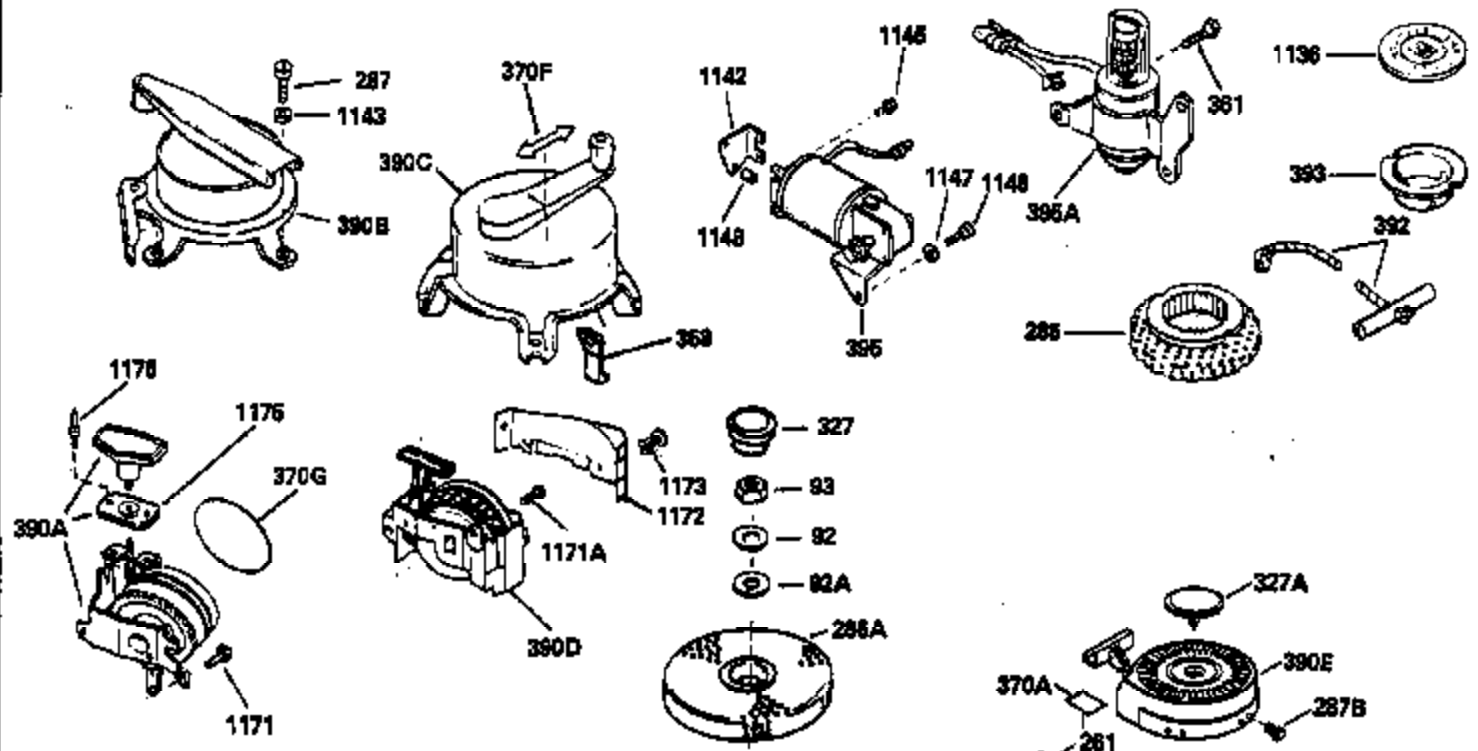


| Ref # | Part Number | Qty | Description |
|-------|-------------|-----|---|
| 1 | 33027B | | Cylinder (Incl. 2, 8, 9 & 20) (2-5/8" Bore) |
| 2 | 26727 | | Pin, Dowel |
| 14 | 28277 | | Washer, Flat |
| 15 | 30589 | | Rod, Governor (Incl. 14) |
| 16 | 32651 | | Lever, Governor |
| 17 | 31335 | | Clamp, Governor lever (Clamp is positioned towardspark plug end on 1977-78 and latermodels. It is positioned opposite spark plugend on earlier models.) |
| 18 | 650548 | | Screw, 8-32 x 5/16" |
| 19 | 31386 | | Spring, Governor |
| 20 | 32600 | | Seal, Oil |
| 30 | 32882A | | Crankshaft |
| 32 | 32323 | | Washer, Thrust |
| 40 | 34851 | | Piston, Pin & Ring Set (Std.) (2-5/8" Bore) |
| 40 | 34852 | | Piston, Pin & Ring Set (.010" OS) |
| 40 | 34853 | | Piston, Pin & Ring Set (.020" OS) |
| 41 | 32603B | | Piston & Pin Ass'y.(Std.)(Incl. 43)(2 -5/8") |
| 41 | 32604B | | Piston & Pin Ass'y. (.010" OS) (Incl. 43) |
| 41 | 32605B | | Piston & Pin Ass'y. (.020" OS) (Incl. 43) |
| 42 | 34854 | | Ring Set (Std.) (2-5/8" Bore) |
| 42 | 34855 | | Ring Set (.010" OS) |
| 42 | 34856 | | Ring Set (.020" OS) |
| 43 | 20381 | | Ring, Piston pin retaining |
| 45 | 32875 | | Rod Assy., Connecting (Incl. 18) |
| 46 | 32610 | | Connecting Rod Bolt (Early Production) |
| 46 | 32610A | | Bolt, Connecting rod |
| 46A | 32609 | | Plate, Lock (Do not use with 32610A locking type screw) |
| 48 | 27241 | | Lifter, Exhaust valve |
| 48A | 32646 | | Lifter, Intake valve |
| 50 | 32647 | | Camshaft (MCR) |
| 52 | 29914 | | Pump Assy., Oil |
| 60 | 29745 | | Extension, Blower housing |
| 66 | 30063 | | Screw, Torx T-30, 1/4-20 x 1/2" |
| 69 | 35261 | | * Gasket, Mounting flange |
| 70 | 32612A | | Flange Ass'y. (Incl. 72, 75 & 80) |
| 72A | 9556 | | Oil Drain Plug (Use as required) |
| 72 | 30572 | | Plug, Oil drain (Incl. 73) |
| 73 | 28833 | | * Drain Plug Gasket (Do not use w/plastic plug) |
| 75 | 27897 | | Seal, Oil |
| 80 | 30574 | | Shaft, Mechanical governor |
| 81 | 30590A | | Washer, Flat |
| 82 | 30591 | | Gear Assy., Governor (Incl. 81) |
| 83 | 30588A | | Spool, Governor |
| 84 | 29193 | | Ring, Retaining |
| 86 | 650488 | | Screw, 1/4-20 x 1-1/4" |
| 89 | 610951 | | Key, Flywheel |
| 92 | 650815 | | Washer, Belleville |
| 93 | 650607 | | Nut, Flywheel |
| 101 | 610118 | | Cover, Spark plug |
| 103 | 650489 | | Screw, 1/4-20 x 5/8" |
| 110 | 34231 | | Ground Wire |
| 119 | 33015A | | * Gasket, Cylinder head |
| 120 | 33016A | | Head, Cylinder (Incl. 131) |
| 125 | 32644A | | Intake Valve (STD)(Incl.151) (Inverted Ports) |
| 125 | 32645A | | Intake Valve (1/32" OS)(Incl.151) (Inverted Ports) |
| 126 | 29313C | | Exhaust Valve (STD)(Incl. 151) (Inverted Ports) |
| 126 | 29315C | | Exhaust Valve (1/32" OS)(Incl. 151) (Inverted Ports) |

| Ref # | Part Number | Qty | Description |
|-------|-------------|-----|---|
| 127 | 26073 | | Washer (Not used in late production) |
| 127 | 650691 | | Washer (Used on late production) |
| 130 | 6021A | | Screw, 5/16-18 x 1-1/2" (Use as requi red) |
| 130 | 650818 | | Screw, 5/16-18 x 1-1/2" (Use as requi red) |
| 131 | 650694A | | Screw, 5/16-18 x 2" (Use as required) |
| 131 | 650697A | | Screw, 5/16-18 x 2-1/2" (Use as requi red) |
| 135 | 33636 | | Spark Plug (J-8C) |
| 149 | 31671 | | Valve Spring Cap) (Used in early prod uction) |
| 150 | 31672 | | Spring, Valve |
| 151 | 31673 | | Cap, Lower valve spring |
| 169 | 31619A | | * Gasket, Valve spring cover |
| 170 | 31337A | | Body Assy., Breather (Incl. 169 & 171) |
| 171 | 31410 | | Element, Breather |
| 174 | 650128 | | Screw, 10-24 x 1/2" |
| 178 | 29752 | | Nut & Lockwasher, 1/4-28 |
| 179 | 30593 | | Clip, Magneto wire |
| 181 | 6201 | | Screw, 1/4-28 x 7/8" |
| 182 | 6201 | | Screw, 1/4-28 x 7/8" |
| 184 | 26756 | | * Gasket, Carburetor |
| 185 | 32650 | | Pipe, Intake |
| 186 | 34337 | | Link, Governor spring |
| 200 | 32264A | | Control Bracket (Incl. 203, 204 & 206) |
| 201 | 33150 | | Bracket, Control |
| 203 | 31342 | | Spring, Compression |
| 204 | 650549 | | Screw, 5-40 x 7/16" |
| 206 | 610973 | | Terminal Assy. |
| 207 | 34336 | | Link, Governor-to-throttle |
| 209 | 30200 | | Screw, 10-24 x 9/16" |
| 215 | 32410 | | Knob, Speed control |
| 223 | 650664 | | Screw, 1/4-20 x 1-19/32" |
| 224 | 32649A | | * Gasket, Intake |
| 238 | 650707 | | Screw, 10-32 x 5/8" |
| 239 | 33051 | | * Gasket, Air cleaner |
| 240B | 33005 | | Body, Air cleaner |
| 246B | 33006 | | Element, Air cleaner |
| 248 | 33008 | | Tube, Air cleaner |
| 250A | 33007 | | Cover, Air cleaner |
| 260 | 33738D | | Blower Housing NOTE: Replacement hardware may differ when servicing starter assy. or blower housing. Refer to Service Bulletin 508. |
| 261 | 650561 | | Screw, 1/4 20 x 5/8" |
| 277 | 30063 | | Screw, Torx T-30, 1/4-20 x 1/2" (Use as req.) |
| 285A | 33667 | | Cup, Starter |
| 286 | 33668 | | Screen, Starter cup |
| 287 | 29716 | | Screw, 1/4-28 x 7/16" (Use as require d) |
| 287 | 30513 | | Screw & Lockwasher, 1/4-28 x 1/2" |
| 287 | | | Pop Rivet (Purchase locally) (3/16" d ia.) |
| 287A | 29752 | | Nut & Lockwasher, 1/4-28 (Use as requ ired) |
| 290 | 29774 | | Fuel Line(Braided 8-1/4")(21 cm)(Use as req.) |
| 290 | 34357 | | Fuel Line (Epichlorohydrin 6-3/4") (1 7 cm) |
| 290 | 30705 | | Fuel Line (Braided 16")(40 cm)(Use as req.) |
| 292 | 26460 | | Fuel Line Clamp (Use as required) |
| 300 | 32671 | | Fuel Tank (Incl. 292 & 301) |
| 301 | 410144B | | Fuel Cap (Std.) (Use as required) |
| 301 | 33032 | | Fuel Cap (Use as required) |
| 301 | 34210 | | Fuel Cap (use as required) |
| 311 | 27625 | | Plug, Oil filler (Incl. 312) |

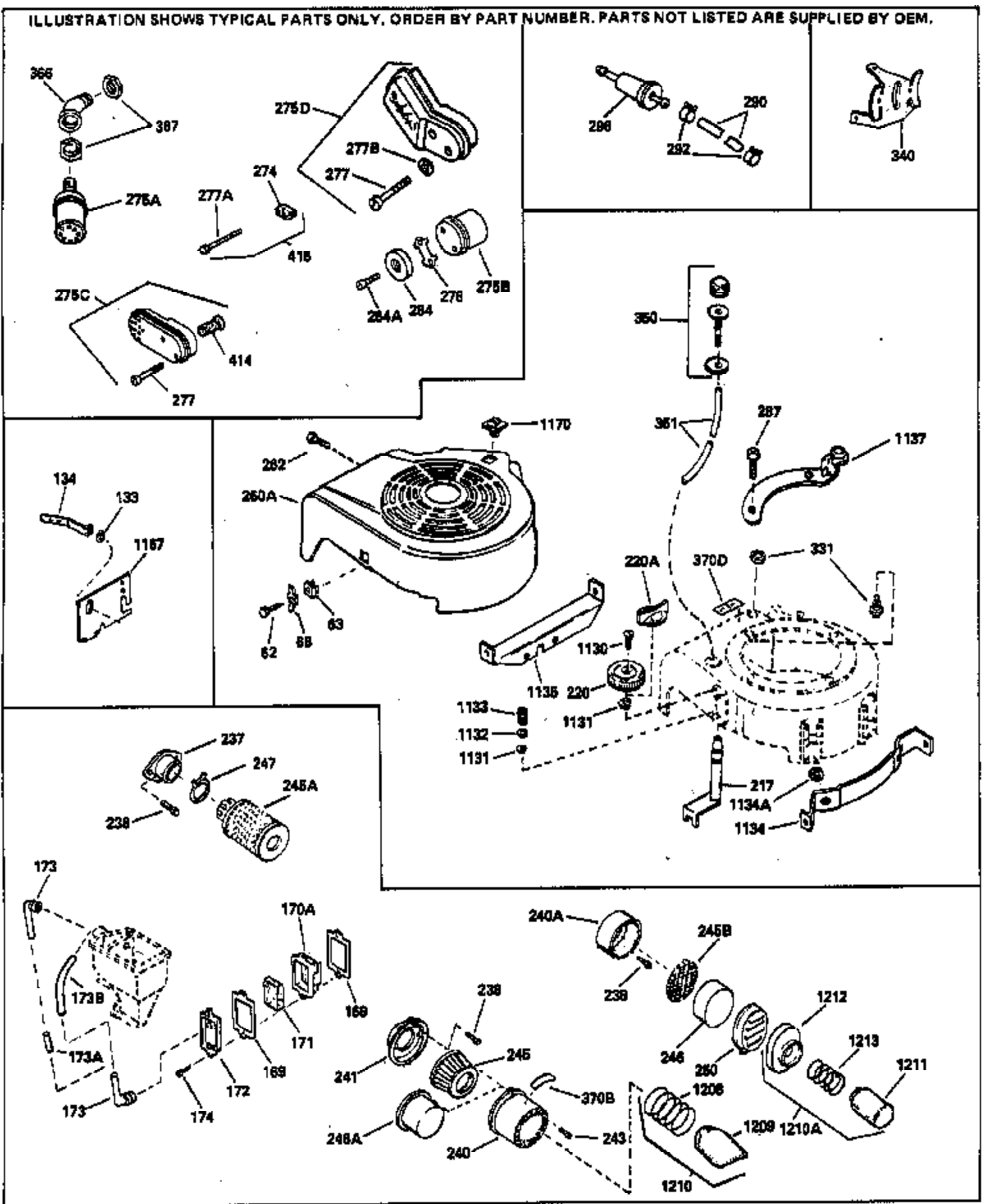
| Ref # | Part Number | Qty | Description |
|-------|-------------|-----|---|
| 312 | 29673 | | * Gasket, Oil filler |
| 313 | 33876 | | Gasket, Stator |
| 325A | 27275 | | Clip, Hi-tension wire (Use as require d) |
| 370A | 550223 | | Name & Instruction Decal |
| 370C | 35344 | | Decal, Speed control |
| 370 | 34346 | | Decal, Instruction |
| 375 | 610942A | | Magneto NOTE: This magneto is not available as an assembly. The magneto number is shown for reference purposes only. Order component parts individually, as shown in parts breakdown. Refer to Division 5, Section B, page35 or Fiche 6, Grid F-13 for breakdown) |
| 377 | 30547A | | Contact Assy., Breaker |
| 378 | 30548B | | Condenser |
| 379 | 631021 | | Inlet Needle, Seat & Clip Assy. |
| 380 | 631597 | | Carburetor (Incl. 184) Refer to Division 5, SectionA, page 104 or Fiche 6, Grid E-1 for breakdown) |
| 390 | 590420A | | Rewind Starter NOTE: Replacement hardware may differ when servicing starter assy. or blower housing. Refer to Service Bulletin 508. (Refer to Division 5, Section C, page 25 or Fiche 6, Grid G-3 for breakdown) |
| 400 | 33238D | | * Gasket Set (Incl. items marked *) |
| 420 | 730225 | | SAE 30 4-Cycle Engine Oil (Quart) |

ILLUSTRATION SHOWS TYPICAL PARTS ONLY. ORDER BY PART NUMBER. PARTS NOT LISTED ARE SUPPLIED BY OEM.



| Ref # | Part Number | Qty | Description |
|-------|-------------|-----|---|
| 19 | 31386 | | Spring, Governor |
| 32 | 32323 | | Washer, Thrust |
| 92 | 650815 | | Washer, Belleville |
| 93 | 650607 | | Nut, Flywheel |
| 182 | 6201 | | Screw, 1/4-28 x 7/8" |
| 201 | 33150 | | Bracket, Control |
| 261 | 650561 | | Screw, 1/4 20 x 5/8" |
| 287 | 29716 | | Screw, 1/4-28 x 7/16" (Use as require d) |
| 287 | 30513 | | Screw & Lockwasher, 1/4-28 x 1/2" |
| 287 | | | Pop Rivet (Purchase locally) (3/16" d ia.) |
| 306 | 34282 | | "O" Ring (This "O" ring is required with metal fill tube only when replacement mounting flange with .777 dia. oil fill hole has been used.) |
| 370A | 550223 | | Name & Instruction Decal |
| 370 | 34346 | | Decal, Instruction |
| 379 | 631021 | | Inlet Needle, Seat & Clip Assy. |
| 1175 | 590441 | | Bracket Ass'y. (Use as required) |
| 1176 | 650639 | | Open End Rivet (Use as required) |

ILLUSTRATION SHOWS TYPICAL PARTS ONLY. ORDER BY PART NUMBER. PARTS NOT LISTED ARE SUPPLIED BY OEM.



| Ref # | Part Number | Qty | Description |
|-------|-------------|-----|--|
| 19 | 31386 | | Spring, Governor |
| 32 | 32323 | | Washer, Thrust |
| 169 | 31619A | | * Gasket, Valve spring cover |
| 171 | 31410 | | Element, Breather |
| 174 | 650128 | | Screw, 10-24 x 1/2" |
| 182 | 6201 | | Screw, 1/4-28 x 7/8" |
| 201 | 33150 | | Bracket, Control |
| 238 | 650707 | | Screw, 10-32 x 5/8" |
| 277 | 30063 | | Screw, Torx T-30, 1/4-20 x 1/2" (Use as req.) |
| 287 | 29716 | | Screw, 1/4-28 x 7/16" (Use as require d) |
| 287 | 30513 | | Screw & Lockwasher, 1/4-28 x 1/2" |
| 287 | | | Pop Rivet (Purchase locally) (3/16" d ia.) |
| 290 | 29774 | | Fuel Line(Braided 8-1/4")(21 cm)(Use as req.) |
| 290 | 34357 | | Fuel Line (Epichlorohydrin 6-3/4") (1 7 cm) |
| 290 | 30705 | | Fuel Line (Braided 16")(40 cm)(Use as req.) |
| 292 | 26460 | | Fuel Line Clamp (Use as required) |
| 415 | 730162 | | Muffler Adapter Kit (Incl. 274 & 277A) (Inverted Ports) |