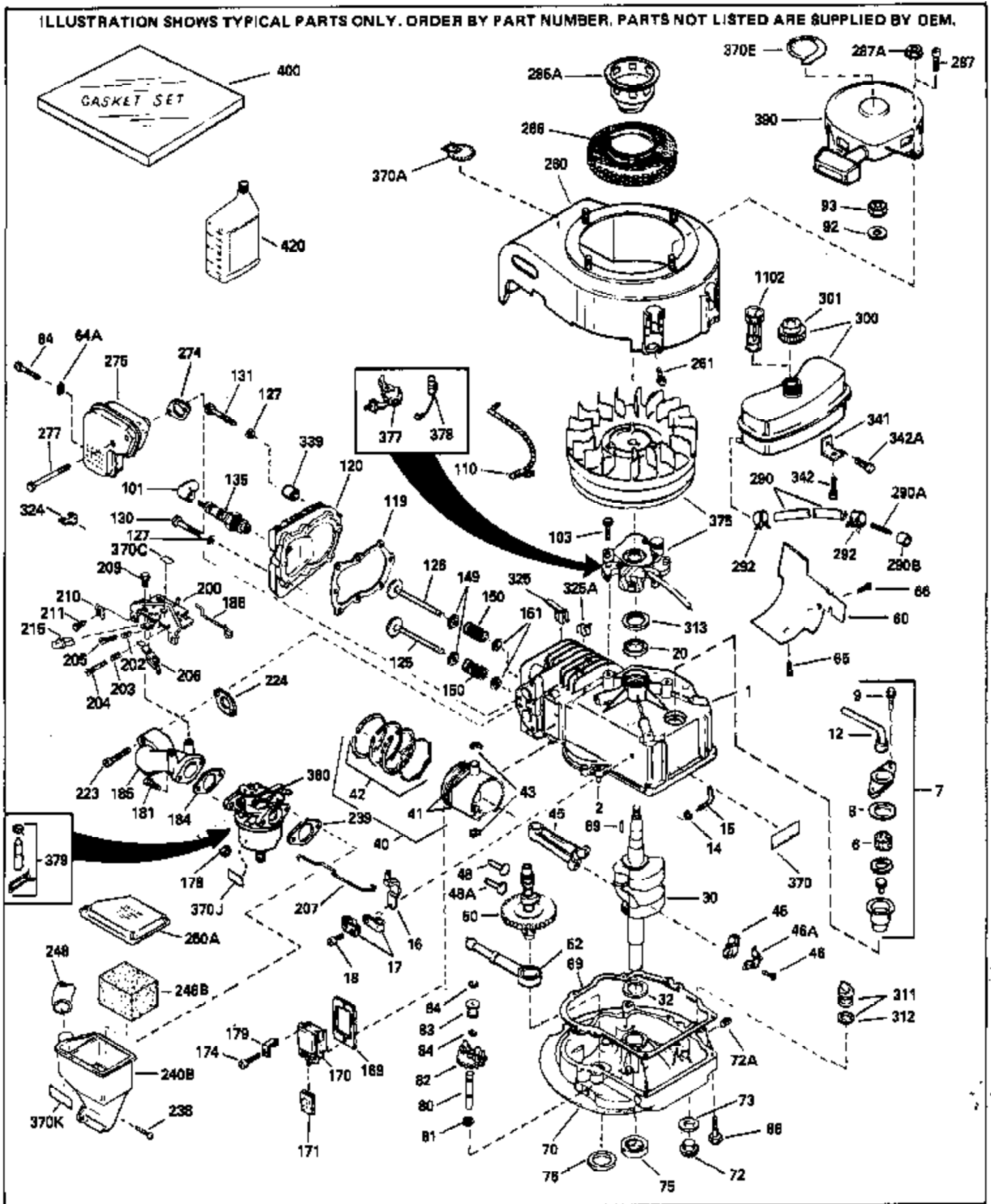


ILLUSTRATION SHOWS TYPICAL PARTS ONLY. ORDER BY PART NUMBER. PARTS NOT LISTED ARE SUPPLIED BY OEM.



| Ref # | Part Number | Qty | Description   |
|-------|-------------|-----|---|
| 1     | 33027B      |     | Cylinder (Incl. 2, 8, 9 & 20) (2-5/8" Bore)   |
| 2     | 26727       |     | Pin, Dowel  |
| 14    | 28277       |     | Washer, Flat  |
| 15    | 30589       |     | Rod, Governor (Incl. 14)  |
| 16    | 32651       |     | Lever, Governor   |
| 17    | 31335       |     | Clamp, Governor lever (Clamp is positioned towardspark plug end on 1977-78 and latermodels. It is positioned opposite spark plugend on earlier models.) |
| 18    | 650548      |     | Screw, 8-32 x 5/16"   |
| 19    | 31386       |     | Spring, Governor  |
| 20    | 32600       |     | Seal, Oil   |
| 30    | 32881B      |     | Crankshaft  |
| 32    | 32323       |     | Washer, Thrust  |
| 40    | 34851       |     | Piston, Pin & Ring Set (Std.) (2-5/8" Bore)   |
| 40    | 34852       |     | Piston, Pin & Ring Set (.010" OS)   |
| 40    | 34853       |     | Piston, Pin & Ring Set (.020" OS)   |
| 41    | 32603B      |     | Piston & Pin Ass'y.(Std.)(Incl. 43)(2 -5/8")  |
| 41    | 32604B      |     | Piston & Pin Ass'y. (.010" OS) (Incl. 43)   |
| 41    | 32605B      |     | Piston & Pin Ass'y. (.020" OS) (Incl. 43)   |
| 42    | 34854       |     | Ring Set (Std.) (2-5/8" Bore)   |
| 42    | 34855       |     | Ring Set (.010" OS)   |
| 42    | 34856       |     | Ring Set (.020" OS)   |
| 43    | 20381       |     | Ring, Piston pin retaining  |
| 45    | 32875       |     | Rod Assy., Connecting (Incl. 18)  |
| 46A   | 32609       |     | Plate, Lock (Do not use with 32610A locking type screw)   |
| 46    | 32610       |     | Connecting Rod Bolt (Early Production )   |
| 46    | 32610A      |     | Bolt, Connecting rod  |
| 48    | 27241       |     | Lifter, Exhaust valve   |
| 48A   | 27241       |     | Lifter, Intake valve  |
| 50    | 32991       |     | Camshaft (MCR) (Extended)   |
| 52    | 29914       |     | Pump Assy., Oil   |
| 60    | 29745       |     | Extension, Blower housing   |
| 66    | 30063       |     | Screw, Torx T-30, 1/4-20 x 1/2"   |
| 69    | 35261       |     | * Gasket, Mounting flange   |
| 70    | 33305A      |     | Flange Ass'y. (Incl. 72, 72A, 75 & 80 )   |
| 72A   | 9556        |     | Oil Drain Plug (Use as required)  |
| 72    | 30572       |     | Plug, Oil drain (Incl. 73)  |
| 73    | 28833       |     | * Drain Plug Gasket (Do not use w/plastic plug)   |
| 75    | 27897       |     | Seal, Oil   |
| 76    | 30318       |     | Oil Seal  |
| 80    | 30574       |     | Shaft, Mechanical governor  |
| 81    | 30590A      |     | Washer, Flat  |
| 82    | 30591       |     | Gear Assy., Governor (Incl. 81)   |
| 83    | 30588A      |     | Spool, Governor   |
| 84    | 29193       |     | Ring, Retaining   |
| 86    | 650488      |     | Screw, 1/4-20 x 1-1/4"  |
| 89    | 610951      |     | Key, Flywheel   |
| 92    | 650815      |     | Washer, Belleville  |
| 93    | 650607      |     | Nut, Flywheel   |
| 103   | 650489      |     | Screw, 1/4-20 x 5/8"  |
| 110   | 35349       |     | Ground Wire   |
| 119   | 33015A      |     | * Gasket, Cylinder head   |
| 120   | 33016A      |     | Head, Cylinder (Incl. 131)  |
| 125   | 32644A      |     | Intake Valve (STD)(Incl.151) (Inverted Ports)   |
| 125   | 32645A      |     | Intake Valve (1/32" OS)(Incl.151) (Inverted Ports)  |
| 126   | 29313C      |     | Exhaust Valve (STD)(Incl. 151) (Inverted Ports)   |
| 126   | 29315C      |     | Exhaust Valve (1/32" OS)(Incl. 151) (Inverted Ports)  |

| Ref # | Part Number | Qty | Description  |
|-------|-------------|-----|--|
| 127   | 26073       |     | Washer (Not used in late production)   |
| 127   | 650691      |     | Washer (Used on late production)   |
| 130   | 6021A       |     | Screw, 5/16-18 x 1-1/2" (Use as required)  |
| 130   | 650818      |     | Screw, 5/16-18 x 1-1/2" (Use as required)  |
| 131   | 650694A     |     | Screw, 5/16-18 x 2" (Use as required)  |
| 131   | 650697A     |     | Screw, 5/16-18 x 2-1/2" (Use as required)  |
| 135   | 33636       |     | Spark Plug (J-8C)  |
| 149   | 31671       |     | Valve Spring Cap (Used in early production)  |
| 150   | 31672       |     | Spring, Valve  |
| 151   | 31673       |     | Cap, Lower valve spring  |
| 167   | 32924       |     | Spring, Speed adj. screw   |
| 168   | 650688      |     | Screw, 10-32 x 1"  |
| 169   | 31619A      |     | * Gasket, Valve spring cover   |
| 170   | 31337A      |     | Body Assy., Breather (Incl. 169 & 171 )  |
| 171   | 31410       |     | Element, Breather  |
| 174   | 650128      |     | Screw, 10-24 x 1/2"  |
| 178   | 29752       |     | Nut & Lockwasher, 1/4-28   |
| 181   | 6201        |     | Screw, 1/4-28 x 7/8"   |
| 182   | 6201        |     | Screw, 1/4-28 x 7/8"   |
| 184   | 26756       |     | * Gasket, Carburetor   |
| 185   | 32650       |     | Pipe, Intake   |
| 186   | 33151       |     | Link, Governor spring  |
| 200   | 33155A      |     | Control Bracket (Incl. 206)  |
| 201   | 33150       |     | Bracket, Control   |
| 203   | 31342       |     | Spring, Compression  |
| 204   | 650549      |     | Screw, 5-40 x 7/16"  |
| 206   | 610973      |     | Terminal Assy.   |
| 207   | 33133       |     | Link, Governor-to-throttle   |
| 209   | 30200       |     | Screw, 10-24 x 9/16"   |
| 210   | 27793       |     | Clip, Conduit  |
| 211   | 28942       |     | Screw, 10-32 x 3/8"  |
| 223   | 650664      |     | Screw, 1/4-20 x 1-19/32"   |
| 224   | 32649A      |     | * Gasket, Intake   |
| 238   | 650707      |     | Screw, 10-32 x 5/8"  |
| 239   | 33051       |     | * Gasket, Air cleaner  |
| 240B  | 33005       |     | Body, Air cleaner  |
| 246B  | 33006       |     | Element, Air cleaner   |
| 248   | 33008       |     | Tube, Air cleaner  |
| 250A  | 33007       |     | Cover, Air cleaner   |
| 260   | 32455B      |     | Housing, Blower NOTE: Replacement hardware may differ when servicing starter assy. or blower housing. Refer to Service Bulletin 508. |
| 261   | 650561      |     | Screw, 1/4 20 x 5/8"   |
| 274   | 26754A      |     | * Gasket, Exhaust  |
| 275   | 35771       |     | Muffler (Incl. 274)  |
| 277   | 30063       |     | Screw, Torx T-30, 1/4-20 x 1/2" (Use as req.)  |
| 287A  | 29752       |     | Nut & Lockwasher, 1/4-28 (Use as required)   |
| 287   | 29716       |     | Screw, 1/4-28 x 7/16" (Use as required)  |
| 287   | 30513       |     | Screw & Lockwasher, 1/4-28 x 1/2"  |
| 287   |             |     | Pop Rivet (Purchase locally) (3/16" dia.)  |
| 290   | 29774       |     | Fuel Line(Braided 8-1/4")(21 cm)(Use as req.)  |
| 290   | 34357       |     | Fuel Line (Epichlorohydrin 6-3/4") (1 7 cm)  |
| 290   | 30705       |     | Fuel Line (Braided 16")(40 cm)(Use as req.)  |
| 292   | 26460       |     | Fuel Line Clamp (Use as required)  |
| 300   | 32671       |     | Fuel Tank (Incl. 292 & 301)  |
| 301   | 410144B     |     | Fuel Cap (Std.) (Use as required)  |
| 301   | 33032       |     | Fuel Cap (Use as required)   |

| Ref # | Part Number | Qty | Description   |
|-------|-------------|-----|---|
|       | 301 34210   |     | Fuel Cap (use as required)  |
|       | 305 32750   |     | Oil Fill Tube   |
|       | 325A 27275  |     | Clip, Hi-tension wire (Use as require d)  |
|       | 370 34346   |     | Decal, Instruction  |
|       | 370A 550223 |     | Name & Instruction Decal  |
|       | 375 610755  |     | Magneto (W/Ring Gear) NOTE: This magneto is not available as an assembly. The magneto number is shown for reference purposes only. Order component parts individually, as shown in parts breakdown. Refer to Division 5, Section B, page24 or Fiche 6, Grid F-11 for breakdown) |
|       | 377 30547A  |     | Contact Assy., Breaker  |
|       | 378 30548B  |     | Condenser   |
|       | 379 631021  |     | Inlet Needle, Seat & Clip Assy.   |
|       | 380 631597  |     | Carburetor (Incl. 184) Refer to Division 5, SectionA, page 104 or Fiche 6, Grid E-1 for breakdown)  |
|       | 400 33238D  |     | * Gasket Set (Incl. items marked *)   |
|       | 420 730225  |     | SAE 30 4-Cycle Engine Oil (Quart)   |

ILLUSTRATION SHOWS TYPICAL PARTS ONLY. ORDER BY PART NUMBER. PARTS NOT LISTED ARE SUPPLIED BY OEM.



| Ref # | Part Number | Qty | Description   |
|-------|-------------|-----|---|
| 19    | 31386       |     | Spring, Governor  |
| 32    | 32323       |     | Washer, Thrust  |
| 92    | 650815      |     | Washer, Belleville  |
| 93    | 650607      |     | Nut, Flywheel   |
| 167   | 32924       |     | Spring, Speed adj. screw  |
| 168   | 650688      |     | Screw, 10-32 x 1"   |
| 182   | 6201        |     | Screw, 1/4-28 x 7/8"  |
| 201   | 33150       |     | Bracket, Control  |
| 261   | 650561      |     | Screw, 1/4 20 x 5/8"  |
| 262   | 650561      |     | Screw, 1/4-20 x 5/8"  |
| 286A  | 32237       |     | Screen, Flywheel  |
| 287   | 29716       |     | Screw, 1/4-28 x 7/16" (Use as require d)  |
| 287   | 30513       |     | Screw & Lockwasher, 1/4-28 x 1/2"   |
| 287   |             |     | Pop Rivet (Purchase locally) (3/16" d ia.)  |
| 305   | 32750       |     | Oil Fill Tube   |
| 306   | 34282       |     | "O" Ring (This "O" ring is required with metal fill tube only when replacement mounting flange with .777 dia. oil fill hole has been used.)   |
| 306   | 30139       |     | "O" Ring  |
| 307   | 29985       |     | "O" Ring  |
| 309   | 650562      |     | Screw, 10-32 x 1/2"   |
| 310   | 30140       |     | Dipstick (Incl. 307)  |
| 327   | 32236       |     | Plug, Screen  |
| 370   | 34346       |     | Decal, Instruction  |
| 370A  | 550223      |     | Name & Instruction Decal  |
| 379   | 631021      |     | Inlet Needle, Seat & Clip Assy.   |
| 390A  | 590450A     |     | Side Mount Rewind Starter NOTE: Replacement hardware may differ when servicing starter assy. or blower housing. Refer to Service Bulletin 508. (Refer to Division 5, Section C, page 27 or Fiche 6, Grid G-4 for breakdown) |
| 1171  | 650737      |     | Screw, 1/4-20 x 1/2"  |
| 1175  | 590441      |     | Bracket Ass'y. (Use as required)  |
| 1176  | 650639      |     | Open End Rivet (Use as required)  |

ILLUSTRATION SHOWS TYPICAL PARTS ONLY. ORDER BY PART NUMBER. PARTS NOT LISTED ARE SUPPLIED BY OEM.



| Ref # | Part Number | Qty | Description  |
|-------|-------------|-----|--|
| 19    | 31386       |     | Spring, Governor   |
| 32    | 32323       |     | Washer, Thrust   |
| 167   | 32924       |     | Spring, Speed adj. screw                                 |
| 168   | 650688      |     | Screw, 10-32 x 1"  |
| 169   | 31619A      |     | * Gasket, Valve spring cover                             |
| 171   | 31410       |     | Element, Breather  |
| 174   | 650128      |     | Screw, 10-24 x 1/2"                                      |
| 182   | 6201        |     | Screw, 1/4-28 x 7/8"                                     |
| 201   | 33150       |     | Bracket, Control   |
| 238   | 650707      |     | Screw, 10-32 x 5/8"                                      |
| 262   | 650561      |     | Screw, 1/4-20 x 5/8"                                     |
| 274   | 26754A      |     | * Gasket, Exhaust  |
| 277A  | 650774      |     | Screw, 1/4-20 x 2-3/8"                                   |
| 277   | 30063       |     | Screw, Torx T-30, 1/4-20 x 1/2" (Use as req.)            |
| 287   | 29716       |     | Screw, 1/4-28 x 7/16" (Use as require d)                 |
| 287   | 30513       |     | Screw & Lockwasher, 1/4-28 x 1/2"                        |
| 287   |             |     | Pop Rivet (Purchase locally) (3/16" d ia.)               |
| 290   | 29774       |     | Fuel Line(Braided 8-1/4")(21 cm)(Use as req.)            |
| 290   | 34357       |     | Fuel Line (Epichlorohydrin 6-3/4") (1 7 cm)              |
| 290   | 30705       |     | Fuel Line (Braided 16")(40 cm)(Use as req.)              |
| 292   | 26460       |     | Fuel Line Clamp (Use as required)                        |
| 305   | 32750       |     | Oil Fill Tube  |
| 415   | 730162      |     | Muffler Adapter Kit (Incl. 274 & 277A ) (Inverted Ports) |