

ILLUSTRATION SHOWS TYPICAL PARTS ONLY. ORDER BY PART NUMBER. PARTS NOT LISTED ARE SUPPLIED BY OEM.

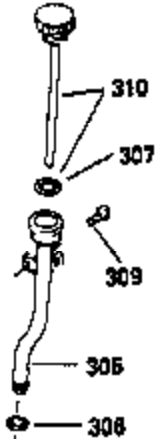
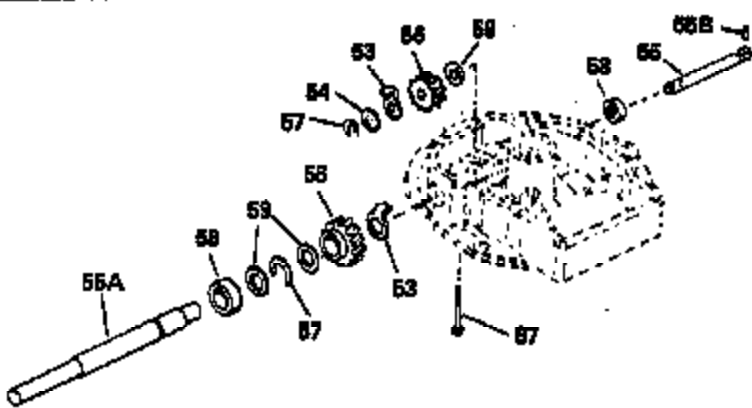
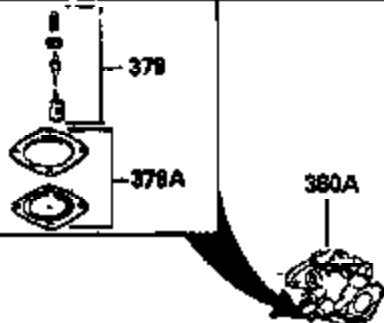
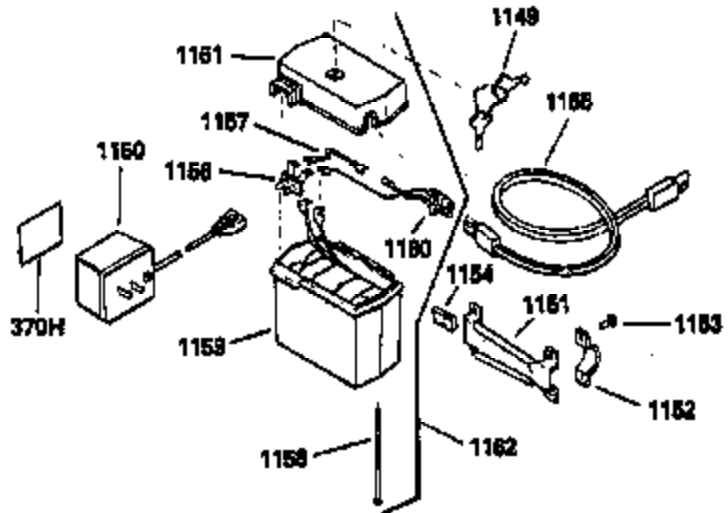
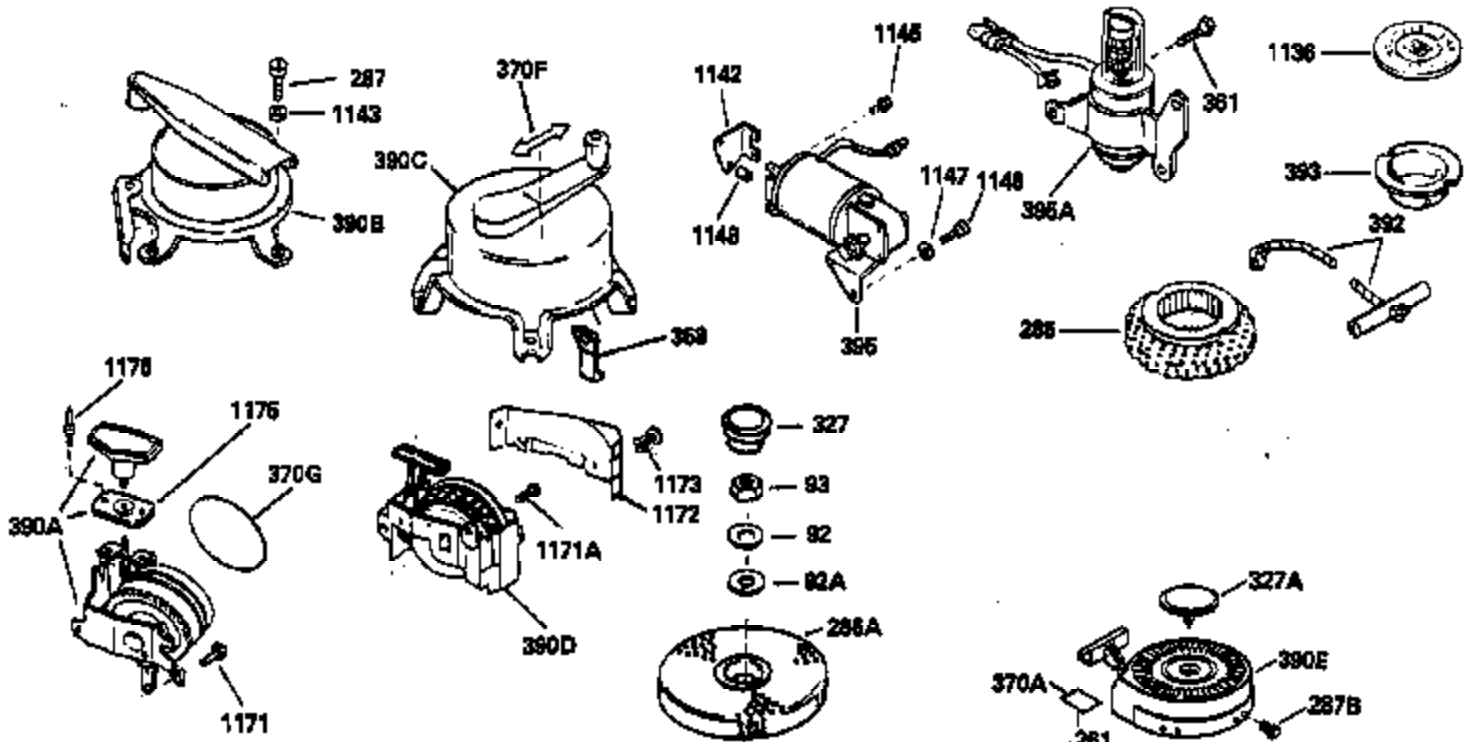


| Ref # | Part Number | Qty | Description |
|-------|-------------|-----|---|
| 1 | 33027B | | Cylinder (Incl. 2, 8, 9 & 20) (2-5/8" Bore) |
| 2 | 26727 | | Pin, Dowel |
| 14 | 28277 | | Washer, Flat |
| 15 | 30589 | | Rod, Governor (Incl. 14) |
| 16 | 32651 | | Lever, Governor |
| 17 | 31335 | | Clamp, Governor lever (Clamp is positioned towardspark plug end on 1977-78 and latermodels. It is positioned opposite spark plugend on earlier models.) |
| 18 | 650548 | | Screw, 8-32 x 5/16" |
| 19 | 31386 | | Spring, Governor |
| 20 | 32600 | | Seal, Oil |
| 30 | 32882A | | Crankshaft |
| 32 | 32323 | | Washer, Thrust |
| 40 | 34851 | | Piston, Pin & Ring Set (Std.) (2-5/8" Bore) |
| 40 | 34852 | | Piston, Pin & Ring Set (.010" OS) |
| 40 | 34853 | | Piston, Pin & Ring Set (.020" OS) |
| 41 | 32603B | | Piston & Pin Ass'y.(Std.)(Incl. 43)(2 -5/8") |
| 41 | 32604B | | Piston & Pin Ass'y. (.010" OS) (Incl. 43) |
| 41 | 32605B | | Piston & Pin Ass'y. (.020" OS) (Incl. 43) |
| 42 | 34854 | | Ring Set (Std.) (2-5/8" Bore) |
| 42 | 34855 | | Ring Set (.010" OS) |
| 42 | 34856 | | Ring Set (.020" OS) |
| 43 | 20381 | | Ring, Piston pin retaining |
| 45 | 32875 | | Rod Assy., Connecting (Incl. 18) |
| 46A | 32609 | | Plate, Lock (Do not use with 32610A locking type screw) |
| 46 | 32610 | | Connecting Rod Bolt (Early Production) |
| 46 | 32610A | | Bolt, Connecting rod |
| 48 | 27241 | | Lifter, Exhaust valve |
| 48A | 27241 | | Lifter, Intake valve |
| 50 | 33154 | | Camshaft |
| 52 | 29914 | | Pump Assy., Oil |
| 60 | 29745 | | Extension, Blower housing |
| 66 | 30063 | | Screw, Torx T-30, 1/4-20 x 1/2" |
| 69 | 35261 | | * Gasket, Mounting flange |
| 70 | 32612A | | Flange Ass'y. (Incl. 72, 75 & 80) |
| 72 | 30572 | | Plug, Oil drain (Incl. 73) |
| 72A | 9556 | | Oil Drain Plug (Use as required) |
| 73 | 28833 | | * Drain Plug Gasket (Do not use w/plastic plug) |
| 75 | 27897 | | Seal, Oil |
| 80 | 30574 | | Shaft, Mechanical governor |
| 81 | 30590A | | Washer, Flat |
| 82 | 30591 | | Gear Assy., Governor (Incl. 81) |
| 83 | 30588A | | Spool, Governor |
| 84 | 29193 | | Ring, Retaining |
| 86 | 650488 | | Screw, 1/4-20 x 1-1/4" |
| 89 | 610951 | | Key, Flywheel |
| 92 | 650815 | | Washer, Belleville |
| 93 | 650607 | | Nut, Flywheel |
| 101 | 27276 | | Cover, Spark plug |
| 103 | 650489 | | Screw, 1/4-20 x 5/8" |
| 110 | 35349 | | Ground Wire |
| 119 | 33015A | | * Gasket, Cylinder head |
| 120 | 33016A | | Head, Cylinder (Incl. 131) |
| 125 | 32644A | | Intake Valve (STD)(Incl.151) (Inverted Ports) |
| 125 | 32645A | | Intake Valve (1/32" OS)(Incl.151) (Inverted Ports) |
| 126 | 29313C | | Exhaust Valve (STD)(Incl. 151) (Inverted Ports) |
| 126 | 29315C | | Exhaust Valve (1/32" OS)(Incl. 151) (Inverted Ports) |

| Ref # | Part Number | Qty | Description |
|-------|-------------|-----|---|
| 127 | 26073 | | Washer (Not used in late production) |
| 127 | 650691 | | Washer (Used on late production) |
| 130 | 6021A | | Screw, 5/16-18 x 1-1/2" (Use as required) |
| 130 | 650818 | | Screw, 5/16-18 x 1-1/2" (Use as required) |
| 131 | 650694A | | Screw, 5/16-18 x 2" (Use as required) |
| 131 | 650697A | | Screw, 5/16-18 x 2-1/2" (Use as required) |
| 135 | 33636 | | Spark Plug (J-8C) |
| 149 | 31671 | | Valve Spring Cap) (Used in early production) |
| 150 | 31672 | | Spring, Valve |
| 151 | 31673 | | Cap, Lower valve spring |
| 169 | 31619A | | * Gasket, Valve spring cover |
| 170 | 31337A | | Body Assy., Breather (Incl. 169 & 171) |
| 171 | 31410 | | Element, Breather |
| 174 | 650128 | | Screw, 10-24 x 1/2" |
| 178 | 29752 | | Nut & Lockwasher, 1/4-28 |
| 181 | 6201 | | Screw, 1/4-28 x 7/8" |
| 182 | 6201 | | Screw, 1/4-28 x 7/8" |
| 184 | 26756 | | * Gasket, Carburetor |
| 185 | 32650 | | Pipe, Intake |
| 186 | 32653 | | Link, Governor spring |
| 200 | 32181A | | Control Bracket (Incl. 203, 204 & 206) |
| 203 | 31342 | | Spring, Compression |
| 204 | 650549 | | Screw, 5-40 x 7/16" |
| 206 | 610973 | | Terminal Assy. |
| 207 | 33133 | | Link, Governor-to-throttle |
| 209 | 30200 | | Screw, 10-24 x 9/16" |
| 210 | 27793 | | Clip, Conduit |
| 211 | 28942 | | Screw, 10-32 x 3/8" |
| 223 | 650664 | | Screw, 1/4-20 x 1-19/32" |
| 224 | 32649A | | * Gasket, Intake |
| 238 | 650707 | | Screw, 10-32 x 5/8" |
| 239 | 33051 | | * Gasket, Air cleaner |
| 240B | 33005 | | Body, Air cleaner |
| 246B | 33006 | | Element, Air cleaner |
| 248 | 33008 | | Tube, Air cleaner |
| 250A | 33007 | | Cover, Air cleaner |
| 260 | 33738D | | Blower Housing NOTE: Replacement hardware may differ when servicing starter Assy. or blower housing. Refer to Service Bulletin 508. |
| 261 | 650561 | | Screw, 1/4 20 x 5/8" |
| 274 | 26754A | | * Gasket, Exhaust |
| 275 | 35771 | | Muffler (Incl. 274) |
| 277 | 30063 | | Screw, Torx T-30, 1/4-20 x 1/2" (Use as req.) |
| 285A | 33667 | | Cup, Starter |
| 286 | 33668 | | Screen, Starter cup |
| 287A | 29752 | | Nut & Lockwasher, 1/4-28 (Use as required) |
| 287 | 29716 | | Screw, 1/4-28 x 7/16" (Use as required) |
| 287 | 30513 | | Screw & Lockwasher, 1/4-28 x 1/2" |
| 287 | | | Pop Rivet (Purchase locally) (3/16" dia.) |
| 290 | 29774 | | Fuel Line(Braided 8-1/4")(21 cm)(Use as req.) |
| 290 | 34357 | | Fuel Line (Epichlorohydrin 6-3/4") (1 7 cm) |
| 290 | 30705 | | Fuel Line (Braided 16")(40 cm)(Use as req.) |
| 292 | 26460 | | Fuel Line Clamp (Use as required) |
| 300 | 32671 | | Fuel Tank (Incl. 292 & 301) |
| 301 | 410144B | | Fuel Cap (Std.) (Use as required) |
| 301 | 33032 | | Fuel Cap (Use as required) |
| 301 | 34210 | | Fuel Cap (use as required) |

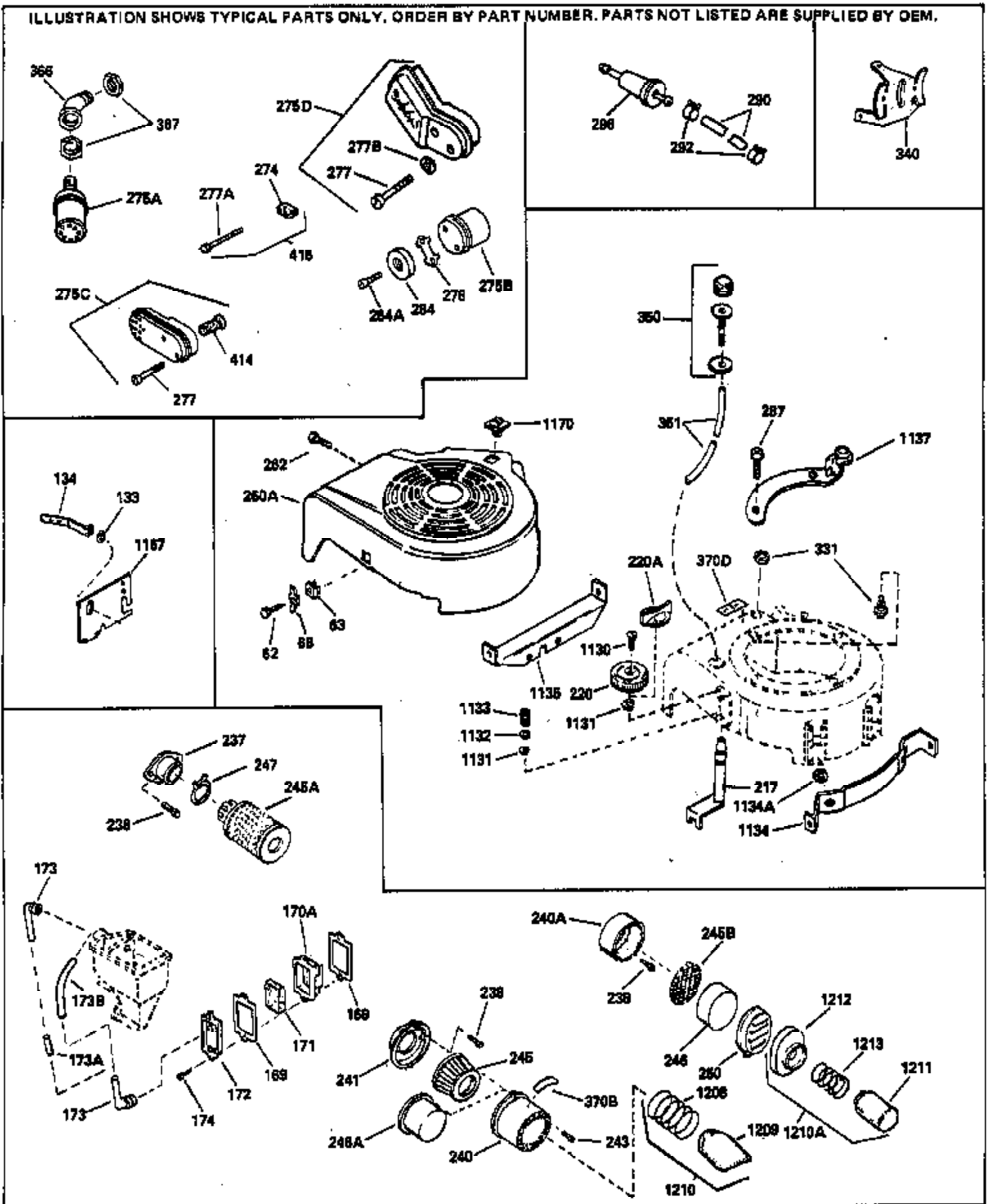
| Ref # | Part Number | Qty | Description |
|-------|-------------|-----|---|
| 311 | 27625 | | Plug, Oil filler (Incl. 312) |
| 312 | 29673 | | * Gasket, Oil filler |
| 313 | 33876 | | Gasket, Stator |
| 325A | 27275 | | Clip, Hi-tension wire (Use as require d) |
| 370 | 34346 | | Decal, Instruction |
| 370C | 35344 | | Decal, Speed control |
| 375 | 610942A | | Magneto NOTE: This magneto is not available as an assembly. The magneto number is shown for reference purposes only. Order component parts individually, as shown in parts breakdown. Refer to Division 5, Section B, page35 or Fiche 6, Grid F-13 for breakdown) |
| 377 | 30547A | | Contact Assy., Breaker |
| 378 | 30548B | | Condenser |
| 379 | 631021 | | Inlet Needle, Seat & Clip Assy. |
| 380 | 631597 | | Carburetor (Incl. 184) Refer to Division 5, SectionA, page 104 or Fiche 6, Grid E-1 for breakdown) |
| 390 | 590420A | | Rewind Starter NOTE: Replacement hardware may differ when servicing starter assy. or blower housing. Refer to Service Bulletin 508. (Refer to Division 5, Section C, page 25 or Fiche 6, Grid G-3 for breakdown) |
| 400 | 33238D | | * Gasket Set (Incl. items marked *) |
| 420 | 730225 | | SAE 30 4-Cycle Engine Oil (Quart) |

ILLUSTRATION SHOWS TYPICAL PARTS ONLY. ORDER BY PART NUMBER. PARTS NOT LISTED ARE SUPPLIED BY OEM.



| Ref # | Part Number | Qty | Description |
|-------|-------------|-----|---|
| 19 | 31386 | | Spring, Governor |
| 32 | 32323 | | Washer, Thrust |
| 92 | 650815 | | Washer, Belleville |
| 93 | 650607 | | Nut, Flywheel |
| 182 | 6201 | | Screw, 1/4-28 x 7/8" |
| 261 | 650561 | | Screw, 1/4 20 x 5/8" |
| 262 | 650561 | | Screw, 1/4-20 x 5/8" |
| 287 | 29716 | | Screw, 1/4-28 x 7/16" (Use as require d) |
| 287 | 30513 | | Screw & Lockwasher, 1/4-28 x 1/2" |
| 287 | | | Pop Rivet (Purchase locally) (3/16" d ia.) |
| 306 | 34282 | | "O" Ring (This "O" ring is required with metal fill tube only when replacement mounting flange with .777 dia. oil fill hole has been used.) |
| 370 | 34346 | | Decal, Instruction |
| 379 | 631021 | | Inlet Needle, Seat & Clip Assy. |
| 1175 | 590441 | | Bracket Ass'y. (Use as required) |
| 1176 | 650639 | | Open End Rivet (Use as required) |

ILLUSTRATION SHOWS TYPICAL PARTS ONLY. ORDER BY PART NUMBER. PARTS NOT LISTED ARE SUPPLIED BY OEM.



| Ref # | Part Number | Qty | Description |
|-------|-------------|-----|--|
| | 19 31386 | | Spring, Governor |
| | 32 32323 | | Washer, Thrust |
| | 169 31619A | | * Gasket, Valve spring cover |
| | 171 31410 | | Element, Breather |
| | 174 650128 | | Screw, 10-24 x 1/2" |
| | 182 6201 | | Screw, 1/4-28 x 7/8" |
| | 238 650707 | | Screw, 10-32 x 5/8" |
| | 262 650561 | | Screw, 1/4-20 x 5/8" |
| | 274 26754A | | * Gasket, Exhaust |
| | 277A 650774 | | Screw, 1/4-20 x 2-3/8" |
| | 277 30063 | | Screw, Torx T-30, 1/4-20 x 1/2" (Use as req.) |
| | 287 29716 | | Screw, 1/4-28 x 7/16" (Use as require d) |
| | 287 30513 | | Screw & Lockwasher, 1/4-28 x 1/2" |
| | 287 | | Pop Rivet (Purchase locally) (3/16" d ia.) |
| | 290 29774 | | Fuel Line(Braided 8-1/4")(21 cm)(Use as req.) |
| | 290 34357 | | Fuel Line (Epichlorohydrin 6-3/4") (1 7 cm) |
| | 290 30705 | | Fuel Line (Braided 16")(40 cm)(Use as req.) |
| | 292 26460 | | Fuel Line Clamp (Use as required) |
| | 415 730162 | | Muffler Adapter Kit (Incl. 274 & 277A) (Inverted Ports) |