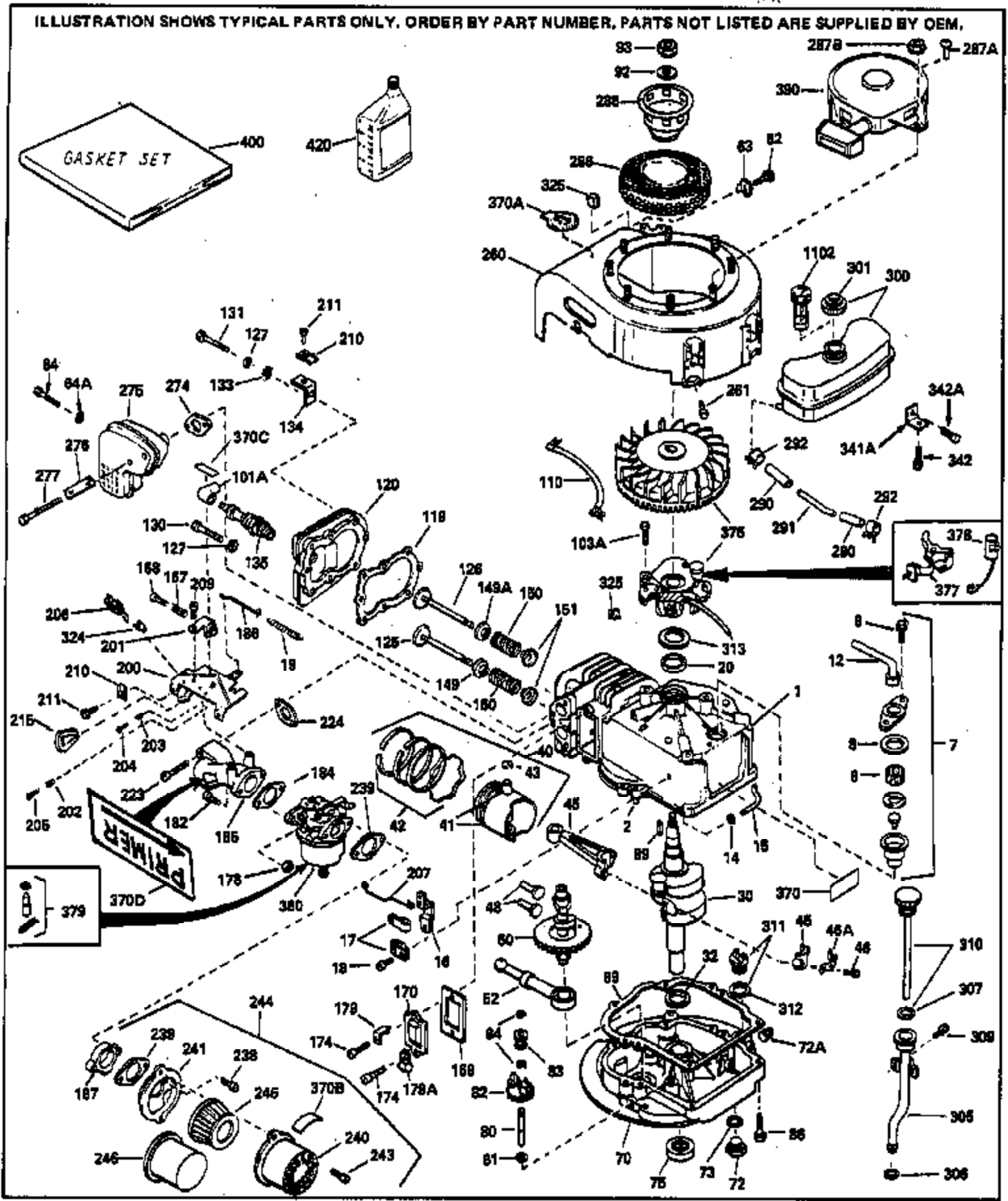


ILLUSTRATION SHOWS TYPICAL PARTS ONLY. ORDER BY PART NUMBER. PARTS NOT LISTED ARE SUPPLIED BY OEM.

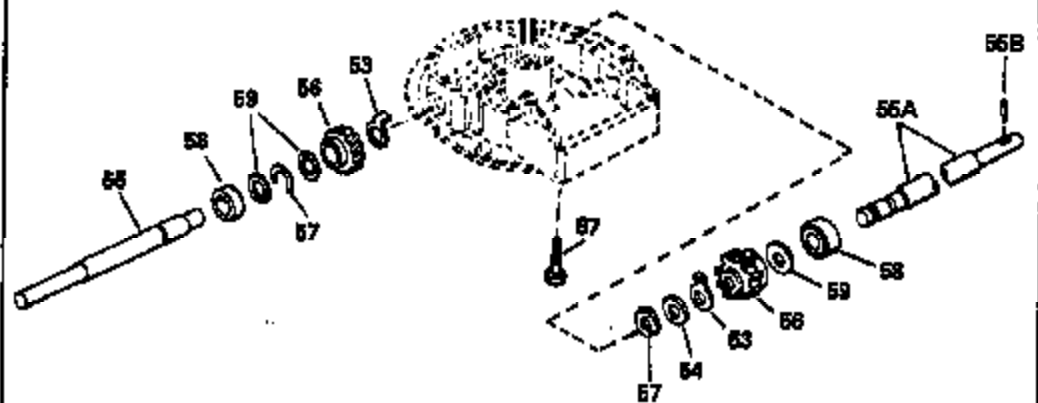
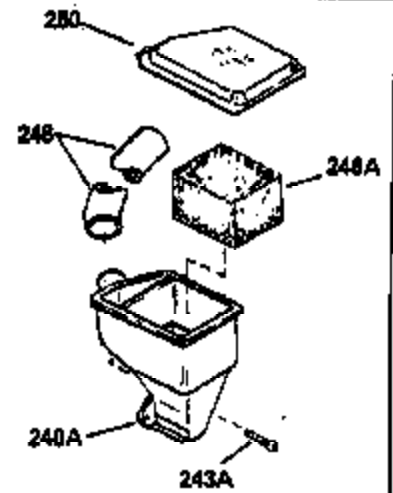
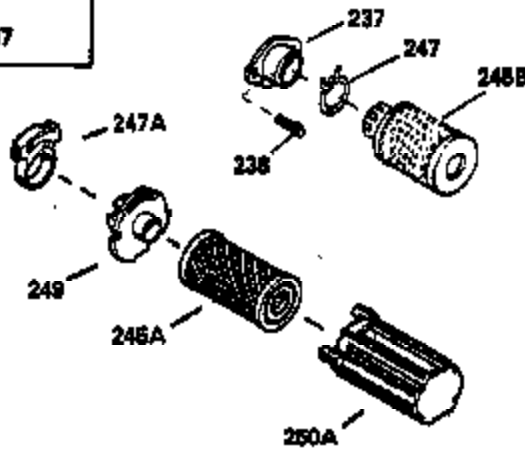
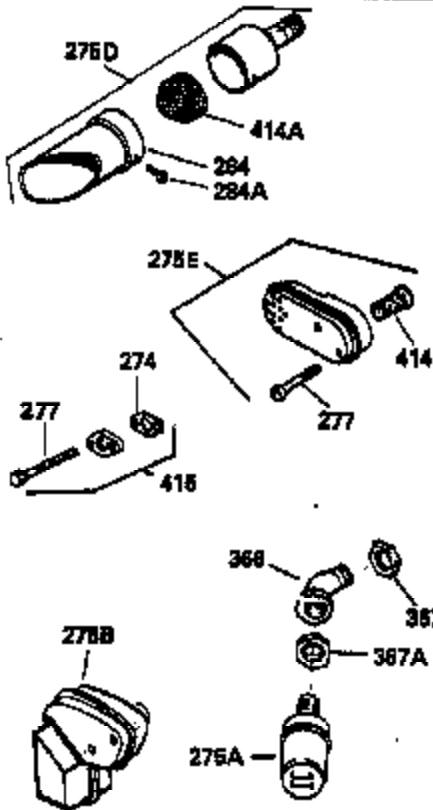
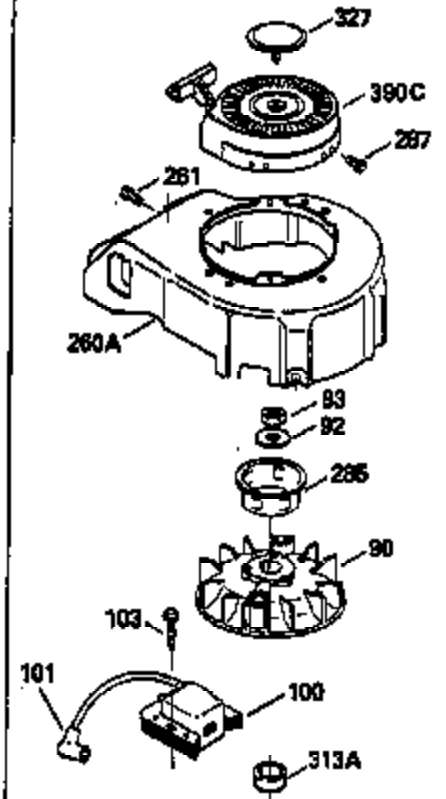
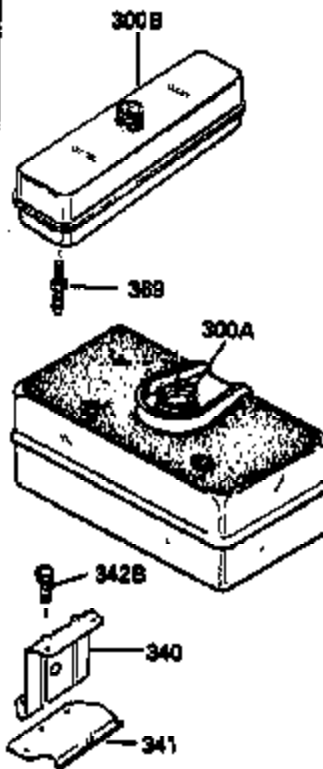
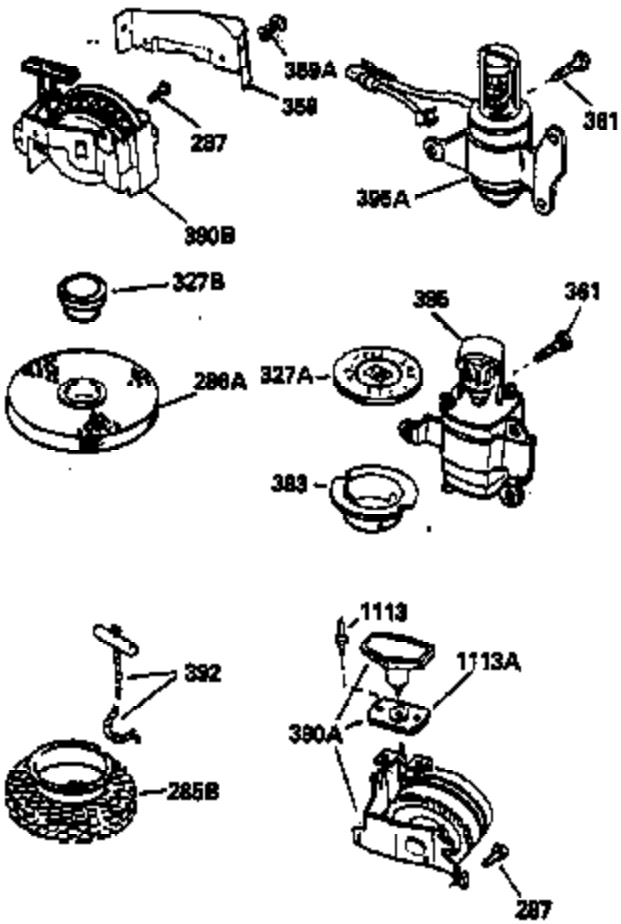


Ref #	Part Number	Qty	Description
1	33729A		Cylinder (Incl. 2 & 20) (2-13/16" Bor e)
2	26727		Pin, Dowel
6	33734		Element, Breather
7	34214A		Breather Ass'y. (Incl. 6, 8, 9 & 12)
8	33735		* Gasket, Breather
9	30200		Screw, 10-24 x 9/16"
12	33886		Tube, Breather
14	28277		Washer, Flat
15	30589		Rod, Governor (Incl. 14)
16	32651		Lever, Governor
17	31335		Clamp, Governor (Clamp is positioned towardspark plug end on 1977-78 and latermodels. It is positioned opposite spark plugend on earlier models.)
18	650548		Screw, 8-32 x 5/16"
19	31386		Spring, Governor
20	32600		Seal, Oil
30	33938		Crankshaft Ass'y.
32	32323		Washer, Thrust NOTE: This thrust washer maynot be required if a new crankshafthas been installed. Check the proper Mechanic's Handbook for acceptable end play. Use this .010" thrust washer if excess end play is measured.
40	34535		Piston, Pin & Ring Set (Std.) (2-13/1 6")
40	34536		Piston, Pin & Ring Set (.010" OS)
40	34537		Piston, Pin & Ring Set (.020" OS)
41	33562B		Piston & Pin Ass'y.(Std)(Incl. 43)(2- 13/16")
41	33563B		Piston & Pin Ass'y. (.010" OS) (Incl. 43)
41	33564B		Piston & Pin Ass'y. (.020" OS) (Incl. 43)
42	33567		Ring Set (Std.) (2-13/16" Bore)
42	33568		Ring Set (.010" OS)
42	33569		Ring Set (.020" OS)
43	20381		Ring, Piston pin retaining
45	32875		Rod Assy., Connecting (Incl. 18)
46	32610		Bolt, Connecting rod (Early Productio n)
46	32610A		Bolt, Connecting rod
46A	32609		Plate, Lock (Do not use with No. 32610A locking type bolt.)
48	27241		Lifter, Valve
50	33154		Camshaft
52	29914		Pump Assy., Oil
69	35261		* Gasket, Mounting flange
70	32696B		Flange Ass'y. (Incl. 72, 72A, 75, 80, 306)
72	30572		Plug, Oil drain (Incl. 73)
73	28833		* Drain Plug Gasket(Not used w/ plastic plug)
75	27897		Seal, Oil
80	30574		Shaft, Mechanical governor
81	30590A		Washer, Flat
82	30591		Gear Assy., Governor (Incl. 81)
83	30588A		Spool, Governor
84	29193		Ring, Retaining
86	650488		Screw, 1/4-20 x 1-1/4"
89	610951		Key, Flywheel
92	650815		Washer, Belleville
93	650607		Nut, Flywheel
101A	27276		Cover, Spark plug
103A	650489		Screw, 1/4-20 x 5/8"
110	35232		Wire, Ground
119	33554A		* Gasket, Cylinder head
120	33016A		Head, Cylinder (Incl. 131)

Ref #	Part Number	Qty	Description
125	32644A		Intake Valve (Std.) (Incl. 151) (Inverted Ports)
125	32645A		Intake Valve (1/32" OS) (Incl. 151) (Inverted Ports)
126	29313C		Exhaust Valve (Std.) (Incl. 151) (Inverted Ports)
126	29315C		Exhaust Valve (1/32" OS) (Incl. 151) (Inverted Ports)
127	26073		Washer, Flat (Not used on late production)
127	650691		Washer, Flat (Use as required)
130	650818		Screw, 5/16-18 x 1-1/2" (Use as required)
130	6021A		Screw, 5/16-18 x 1-1/2" (Use as required)
131	650694A		Screw, 5/16-18 x 2" (Use as required)
135	33636		Plug, Spark (J-8C)
149	31671		Upper Cap (Int. & Ex.)(Early Production)
149A	33678		Cap, Upper valve spring (Exhaust)
150	31672		Spring, Valve
151	31673		Cap, Lower valve spring
167	32924		Spring, Compression
168	650688		Screw, 10-32 x 1"
169	27234A		* Gasket, Valve spring cover
170	32755		Cover, Valve spring box
174	650128		Screw, 10-24 x 1/2"
178	29752		Nut & Lockwasher Assy.
179	30593		Clip, Magneto wire
182	30088A		Screw, 1/4-28 x 1"
185	33739		Pipe, Intake
186	33151		Link, Governor spring
200	33155A		Control Assy., Speed (Incl. 206)
201	33150		Bracket, Control
206	610973		Terminal Assy. (Use as required)
207	33133		Link, Throttle
209	30200		Screw, 10-24 x 9/16"
210	27793		Clip, Conduit
211	28942		Screw, 10-32 x 3/8"
223	650142		Screw, 1/4-20 x 1-1/8"
224	33751A		* Gasket, Intake
238	28820		Screw, 10-32 x 1/2"
239	27272A		* Gasket, Air cleaner
240	31715		Body, Air cleaner
241	31691		Bracket, Air cleaner
243	650152		Screw, 8-32 x 3/8"
244	730164		Cleaner Kit (Incl. 238 thru 245 & 370 B) (Use as required)
245	30727		Element, Air cleaner
260	33738D		Housing, Blower NOTE: Replacement hardware may differ when servicing starter assy. or blower housing. Refer to Service Bulletin 508.
261	650561		Screw, 1/4-20 x 5/8"
274	26754A		* Gasket, Exhaust (Use as required)
274	33670A		* Gasket, Exhaust
275	34121		Muffler
277	30063		Screw, 1/4-20 x 1/2" (Use as required)
277	650774		Screw, 1/4-20 x 2-3/8"
285	33667		Cup, Starter
286	33668		Screen, Starter cup
287B	29752		Nut & Lockwasher 1/4-28 (Use as required)
290	29774		Fuel Line (Braided 8-1/4") (21 cm)
290	30705		Fuel Line (Braided 16") (40 cm)
291	33754		Line, Fuel (Metal 3.360")
292	26460		Clamp, Fuel line
300	32671		Tank Assy., Fuel (Incl. 292 & 301)

Ref #	Part Number	Qty	Description
301	410144B		Cap, Fuel (Standard) (Use as required )
301	33032		Cap, Fuel (Use as required)
305	33784		Tube Assy., Oil filler (Metal)
306	30139		"O" Ring
306	34282		"O" Ring (This "O" ring is required with metal fill tube only when replacement mounting flange with .777 dia. oil fill hole has been used.)
307	29985		"O" Ring
309	650562		Screw, 10-32 x 1/2"
310	33760		Dipstick, Oil (Incl. 307) (Screw In)
313	33876		Gasket, Stator
325	27275		Clip, Wire retaining
325	33685		Clip, Wire retaining (Early Productio n)
370	31353		Decal, Instruction
370B	31752		Decal, Air cleaner
375	610944A		Magneto (w/ring gear) NOTE: The complete magneto is not available as an assembly. The magneto number is shown for reference purposes only. Order component parts individually, as shown in parts list. (Refer to Division 5, Section B, page 35 or Fiche 6, Grid F-13 for breakdown)
377	30547A		Contact Assy., Breaker
378	30548B		Condenser
379	631021		Inlet Needle, Seat & Clip Assy.
380	631716		Carburetor (Incl. 184) (Refer to Division 5, Section A, page 122 or Fiche 6 Grid E-7 for breakdown)
390	590420		Starter, Rewind NOTE: Replacement hardware may differ when servicing starter assy. or blower housing. Refer to Service Bulletin 508. (Refer to Division 5, Section C, page 25 or Fiche 6, Grid G-3 for breakdown)
400	33740D		* Gasket Set (Incl. items marked *)
420	730225		SAE 30, 4-Cycle Engine Oil (Quart)

ILLUSTRATION SHOWS TYPICAL PARTS ONLY. ORDER BY PART NUMBER. PARTS NOT LISTED ARE SUPPLIED BY OEM.



Ref #	Part Number	Qty	Description
	92 650815		Washer, Belleville
	93 650607		Nut, Flywheel
	238 28820		Screw, 10-32 x 1/2"
	261 650561		Screw, 1/4-20 x 5/8"
	274 26754A		* Gasket, Exhaust (Use as required)
	274 33670A		* Gasket, Exhaust
	275D 391026		Muffler (Incl. 284, 284A & 414A) (This spark arrester muffler can be used on any model with a 3/4-14 tapped exhaust port.)
	277 30063		Screw, 1/4-20 x 1/2" (Use as required )
	277 650774		Screw, 1/4-20 x 2-3/8"
	284 33700		Cover & Tube, Muffler (Use as required)
	284A 650578		Screw, 8-18 x 3/8" (Use as required)
	285 33667		Cup, Starter
	287		Pop Rivet(Purchase locally)(Use as required)
	361 650737		Screw, 1/4-20 x 1/2"
	395 33600		Motor, Starter (12 Volt) (Refer to Division 5, Section D, page 22 or Fiche 6, Grid G-11 for breakdown)
	414A 33323		Screen, Muffler (Use as required)
	415 730162		Muffler Adapter Kit (Incl. 121 & 128) (Conventional Ports)
	415 730165		Muffler Adapter Kit (Incl. 274 & 277) NOTE: This muffler adapter can be used only on models which have exhaust port on top (above intake). (Inverted Ports)
	1113		Rivet, Open end (Can be purchased locally)