

ILLUSTRATION SHOWS TYPICAL PARTS ONLY. ORDER BY PART NUMBER. PARTS NOT LISTED ARE SUPPLIED BY OEM.

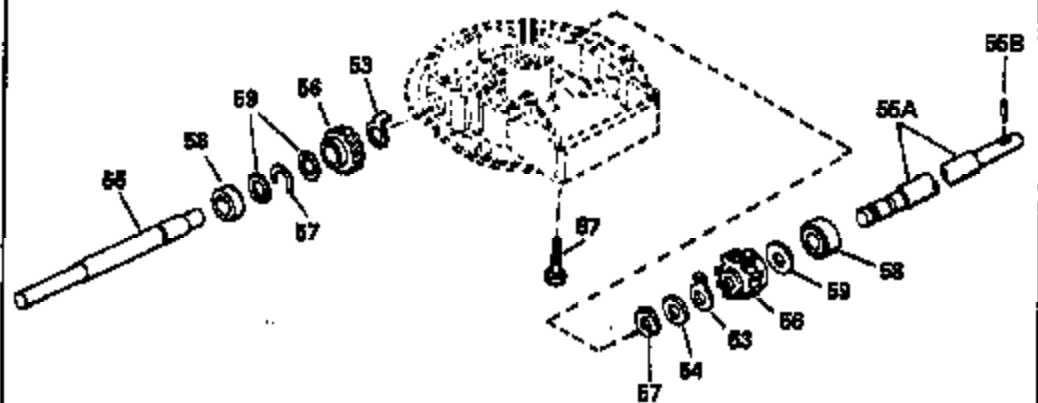
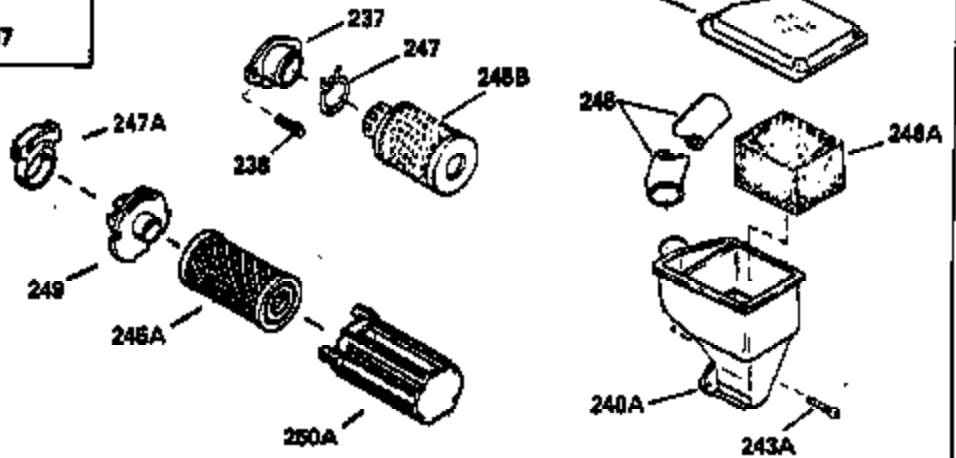
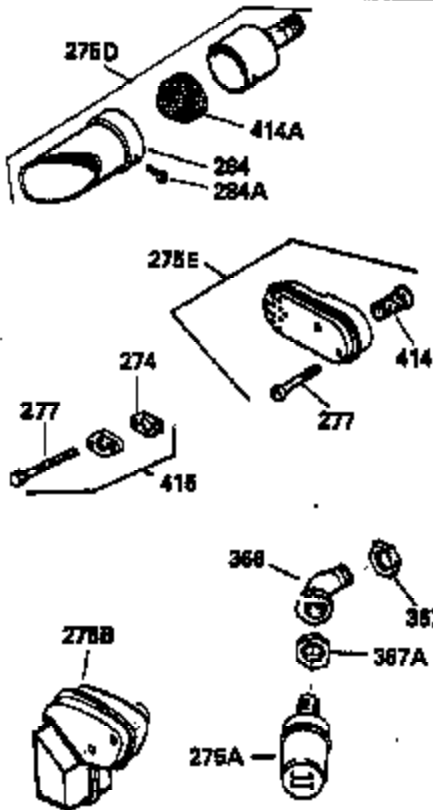
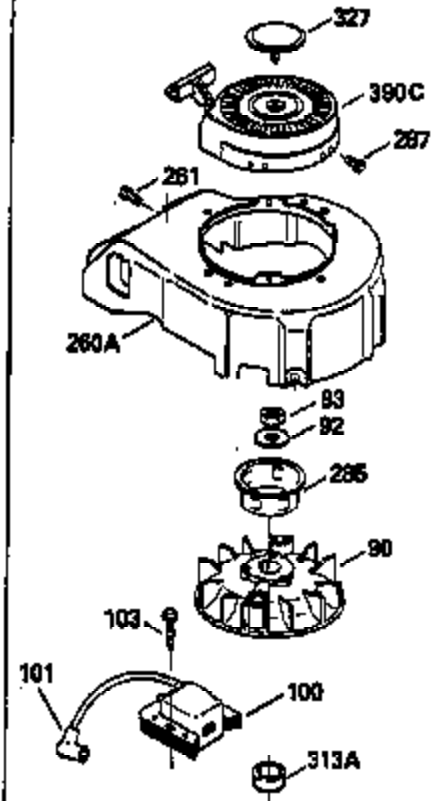
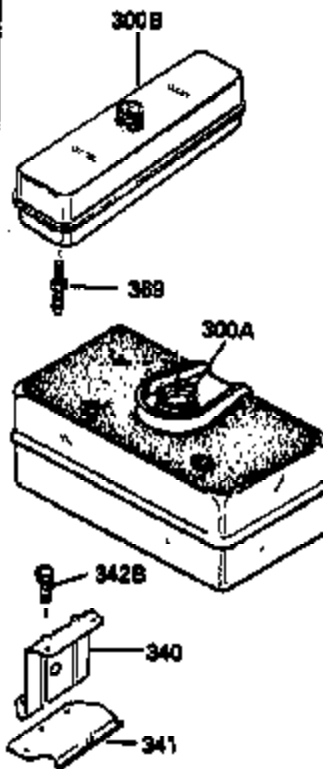
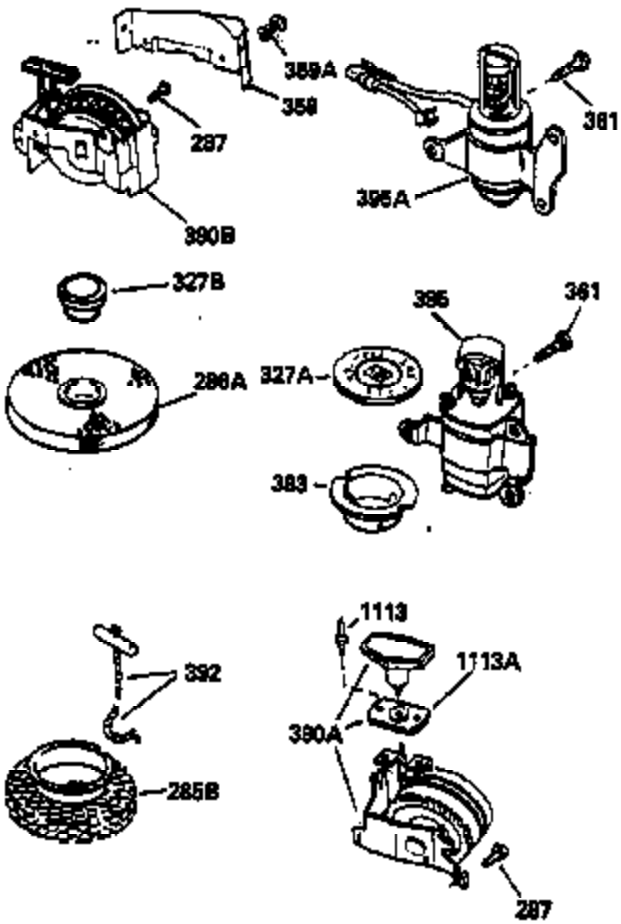


| Ref # | Part Number | Qty | Description |
|-------|-------------|-----|---|
| 1 | 33729A | | Cylinder (Incl. 2 & 20) (2-13/16" Bor e) |
| 2 | 26727 | | Pin, Dowel |
| 6 | 33734 | | Element, Breather |
| 7 | 34214A | | Breather Ass'y. (Incl. 6, 8, 9 & 12) |
| 8 | 33735 | | * Gasket, Breather |
| 9 | 30200 | | Screw, 10-24 x 9/16" |
| 12 | 33886 | | Tube, Breather |
| 14 | 28277 | | Washer, Flat |
| 15 | 31513 | | Rod, Governor |
| 16 | 32651 | | Lever, Governor |
| 17 | 31335 | | Clamp, Governor (Clamp is positioned towardspark plug end on 1977-78 and latermodels. It is positioned opposite spark plugend on earlier models.) |
| 18 | 650548 | | Screw, 8-32 x 5/16" |
| 19 | 31361 | | Spring, Governor |
| 20 | 32600 | | Seal, Oil |
| 30 | 34261 | | Crankshaft Ass'y. |
| 40 | 34535 | | Piston, Pin & Ring Set (Std.) (2-13/1 6") |
| 40 | 34536 | | Piston, Pin & Ring Set (.010" OS) |
| 40 | 34537 | | Piston, Pin & Ring Set (.020" OS) |
| 41 | 33562B | | Piston & Pin Ass'y.(Std)(Incl. 43)(2- 13/16") |
| 41 | 33563B | | Piston & Pin Ass'y. (.010" OS) (Incl. 43) |
| 41 | 33564B | | Piston & Pin Ass'y. (.020" OS) (Incl. 43) |
| 42 | 33567 | | Ring Set (Std.) (2-13/16" Bore) |
| 42 | 33568 | | Ring Set (.010" OS) |
| 42 | 33569 | | Ring Set (.020" OS) |
| 43 | 20381 | | Ring, Piston pin retaining |
| 45 | 32875 | | Rod Assy., Connecting (Incl. 18) |
| 46 | 32610 | | Bolt, Connecting rod (Early Productio n) |
| 46 | 32610A | | Bolt, Connecting rod |
| 46A | 32609 | | Plate, Lock (Do not use with No. 32610A locking type bolt.) |
| 48 | 27241 | | Lifter, Valve |
| 50 | 33154 | | Camshaft |
| 52 | 29914 | | Pump Assy., Oil |
| 69 | 35261 | | * Gasket, Mounting flange |
| 70 | 33521C | | Flange Ass'y. (Incl. 58, 72, 75, 80 & 306) |
| 72 | 30572 | | Plug, Oil drain (Incl. 73) |
| 73 | 28833 | | * Drain Plug Gasket(Not used w/ plastic plug) |
| 75 | 26208 | | Seal, Oil |
| 80 | 30574 | | Shaft, Mechanical governor |
| 81 | 30590A | | Washer, Flat |
| 82 | 30591 | | Gear Assy., Governor (Incl. 81) |
| 83 | 30588A | | Spool, Governor |
| 84 | 29193 | | Ring, Retaining |
| 86 | 650488 | | Screw, 1/4-20 x 1-1/4" |
| 89 | 610951 | | Key, Flywheel |
| 92 | 650815 | | Washer, Belleville |
| 93 | 650607 | | Nut, Flywheel |
| 103A | 650489 | | Screw, 1/4-20 x 5/8" |
| 110 | 34231 | | Wire, Ground |
| 119 | 33554A | | * Gasket, Cylinder head |
| 120 | 33016A | | Head, Cylinder (Incl. 131) |
| 125 | 32644A | | Intake Valve (Std.) (Incl. 151) (Inverted Ports) |
| 125 | 32645A | | Intake Valve (1/32" OS) (Incl. 151) (Inverted Ports) |
| 126 | 29313C | | Exhaust Valve (Std.) (Incl. 151) (Inverted Ports) |
| 126 | 29315C | | Exhaust Valve (1/32" OS) (Incl. 151) (Inverted Ports) |
| 127 | 26073 | | Washer, Flat (Not used on late produc tion) |

| Ref # | Part Number | Qty | Description |
|-------|-------------|-----|---|
| 127 | 650691 | | Washer, Flat (Use as required) |
| 130 | 650818 | | Screw, 5/16-18 x 1-1/2" (Use as required) |
| 130 | 6021A | | Screw, 5/16-18 x 1-1/2" (Use as required) |
| 131 | 650694A | | Screw, 5/16-18 x 2" (Use as required) |
| 135 | 33636 | | Plug, Spark (J-8C) |
| 149 | 31671 | | Upper Cap (Int. & Ex.)(Early Production) |
| 149A | 33678 | | Cap, Upper valve spring (Exhaust) |
| 150 | 31672 | | Spring, Valve |
| 151 | 31673 | | Cap, Lower valve spring |
| 167 | 32924 | | Spring, Compression |
| 168 | 650688 | | Screw, 10-32 x 1" |
| 169 | 27234A | | * Gasket, Valve spring cover |
| 170 | 32755 | | Cover, Valve spring box |
| 174 | 650128 | | Screw, 10-24 x 1/2" |
| 178 | 29752 | | Nut & Lockwasher Assy. |
| 179 | 30593 | | Clip, Magneto wire |
| 179A | 34262 | | Clamp |
| 182 | 30088A | | Screw, 1/4-28 x 1" |
| 185 | 33739 | | Pipe, Intake |
| 186 | 34358 | | Link, Governor spring |
| 200 | 33155A | | Control Assy., Speed (Incl. 206) |
| 201 | 33150 | | Bracket, Control |
| 206 | 610973 | | Terminal Assy. (Use as required) |
| 207 | 34336 | | Link, Throttle |
| 209 | 30200 | | Screw, 10-24 x 9/16" |
| 210 | 27793 | | Clip, Conduit |
| 211 | 28942 | | Screw, 10-32 x 3/8" |
| 223 | 650142 | | Screw, 1/4-20 x 1-1/8" |
| 224 | 33751A | | * Gasket, Intake |
| 238 | 650709 | | Screw, 10-32 x 7/16" |
| 239 | 27272A | | * Gasket, Air cleaner |
| 244 | 730164 | | Cleaner Kit (Incl. 238 thru 245 & 370 B) (Use as required) |
| 260 | 33738D | | Housing, Blower NOTE: Replacement hardware may differ when servicing starter assy. or blower housing. Refer to Service Bulletin 508. |
| 261 | 650561 | | Screw, 1/4-20 x 5/8" |
| 274 | 26754A | | * Gasket, Exhaust (Use as required) |
| 274 | 33670A | | * Gasket, Exhaust |
| 275 | 35771 | | Muffler (Incl. 274) |
| 276 | 33753 | | Plate, Lock |
| 277 | 30063 | | Screw, 1/4-20 x 1/2" (Use as required) |
| 277 | 650774 | | Screw, 1/4-20 x 2-3/8" |
| 285 | 33667 | | Cup, Starter |
| 286 | 33668 | | Screen, Starter cup |
| 287B | 29752 | | Nut & Lockwasher 1/4-28 (Use as required) |
| 290 | 29774 | | Fuel Line (Braided 8-1/4") (21 cm) |
| 290 | 30705 | | Fuel Line (Braided 16") (40 cm) |
| 292 | 26460 | | Clamp, Fuel line |
| 301 | 410144B | | Cap, Fuel (Standard) (Use as required) |
| 301 | 33032 | | Cap, Fuel (Use as required) |
| 305 | 34318 | | Tube Assy., Oil filler (Plastic) |
| 306 | 34265 | | Gasket, Oil fill tube |
| 306 | 34282 | | "O" Ring (This "O" ring is required with metal fill tube only when replacement mounting flange with .777 dia. oil fill hole has been used.) |
| 307 | 33590 | | "O" Ring |
| 309 | 650562 | | Screw, 10-32 x 1/2" |

| Ref # | Part Number | Qty | Description |
|-------|-------------|-----|---|
| 310 | 34319 | | Dipstick, Oil (Incl. 307) (Twist Lock) |
| 313 | 33876 | | Gasket, Stator |
| 325 | 27275 | | Clip, Wire retaining |
| 325 | 33685 | | Clip, Wire retaining (Early Productio n) |
| 370 | 34346 | | Decal, Instruction |
| 370B | 31752 | | Decal, Air cleaner |
| 375 | 610942A | | Magneto NOTE: The complete magneto is not available as an assembly. The magneto number is shown for reference purposes only. Order component parts individually, as shown in parts list. (Refer to Division 5, Section B, page 35 or Fiche 6 Grid F-13 for breakdown) |
| 377 | 30547A | | Contact Assy., Breaker |
| 378 | 30548B | | Condenser |
| 379 | 631021 | | Inlet Needle, Seat & Clip Assy. |
| 380 | 632010 | | Carburetor (Incl. 184) (Refer to Division 5, Section A, page 150 or Fiche 6 Grid F-1 for breakdown) |
| 390 | 590420 | | Starter, Rewind NOTE: Replacement hardware may differ when servicing starter assy. or blower housing. Refer to Service Bulletin 508. (Refer to Division 5, Section C, page 25 or Fiche 6, Grid G-3 for breakdown) |
| 400 | 33740D | | * Gasket Set (Incl. items marked *) |
| 420 | 730225 | | SAE 30, 4-Cycle Engine Oil (Quart) |

ILLUSTRATION SHOWS TYPICAL PARTS ONLY. ORDER BY PART NUMBER. PARTS NOT LISTED ARE SUPPLIED BY OEM.



| Ref # | Part Number | Qty | Description |
|-------|-------------|-----|---|
| | 53 31745 | | Washer, Tang |
| | 54 31787 | | Washer, Flat |
| | 55A 33774 | | Shaft, P.T.O. |
| | 56 33401 | | Right Hand Worm Gear |
| | 57 31749 | | Ring, Retaining |
| | 58 31744 | | Seal, Oil |
| | 59 31747 | | Washer, Flat |
| | 87 650492 | | Screw, 1/4-20 x 2-1/4" |
| | 92 650815 | | Washer, Belleville |
| | 93 650607 | | Nut, Flywheel |
| | 237 32971 | | Adapter, Air cleaner (paper) |
| | 238 650709 | | Screw, 10-32 x 7/16" |
| | 245B 32972 | | Element, A.C. |
| | 247 33168 | | Clamp, Corbin |
| | 261 650561 | | Screw, 1/4-20 x 5/8" |
| | 274 26754A | | * Gasket, Exhaust (Use as required) |
| | 274 33670A | | * Gasket, Exhaust |
| | 275E 391020 | | Muffler (Incl. 277 & 414) |
| | 275D 391026 | | Muffler (Incl. 284, 284A & 414A) (This spark arrester muffler can be used on any model with a 3/4-14 tapped exhaust port.) |
| | 276 33753 | | Plate, Lock |
| | 277 30063 | | Screw, 1/4-20 x 1/2" (Use as required) |
| | 277 650774 | | Screw, 1/4-20 x 2-3/8" |
| | 284 33700 | | Cover & Tube, Muffler (Use as required) |
| | 284A 650578 | | Screw, 8-18 x 3/8" (Use as required) |
| | 285 33667 | | Cup, Starter |
| | 287 | | Pop Rivet(Purchase locally)(Use as required) |
| | 414A 33323 | | Screen, Muffler (Use as required) |
| | 415 730162 | | Muffler Adapter Kit (Incl. 121 & 128) (Conventional Ports) |
| | 415 730165 | | Muffler Adapter Kit (Incl. 274 & 277) NOTE: This muffler adapter can be used only on models which have exhaust port on top (above intake). (Inverted Ports) |
| | 1113 | | Rivet, Open end (Can be purchased locally) |