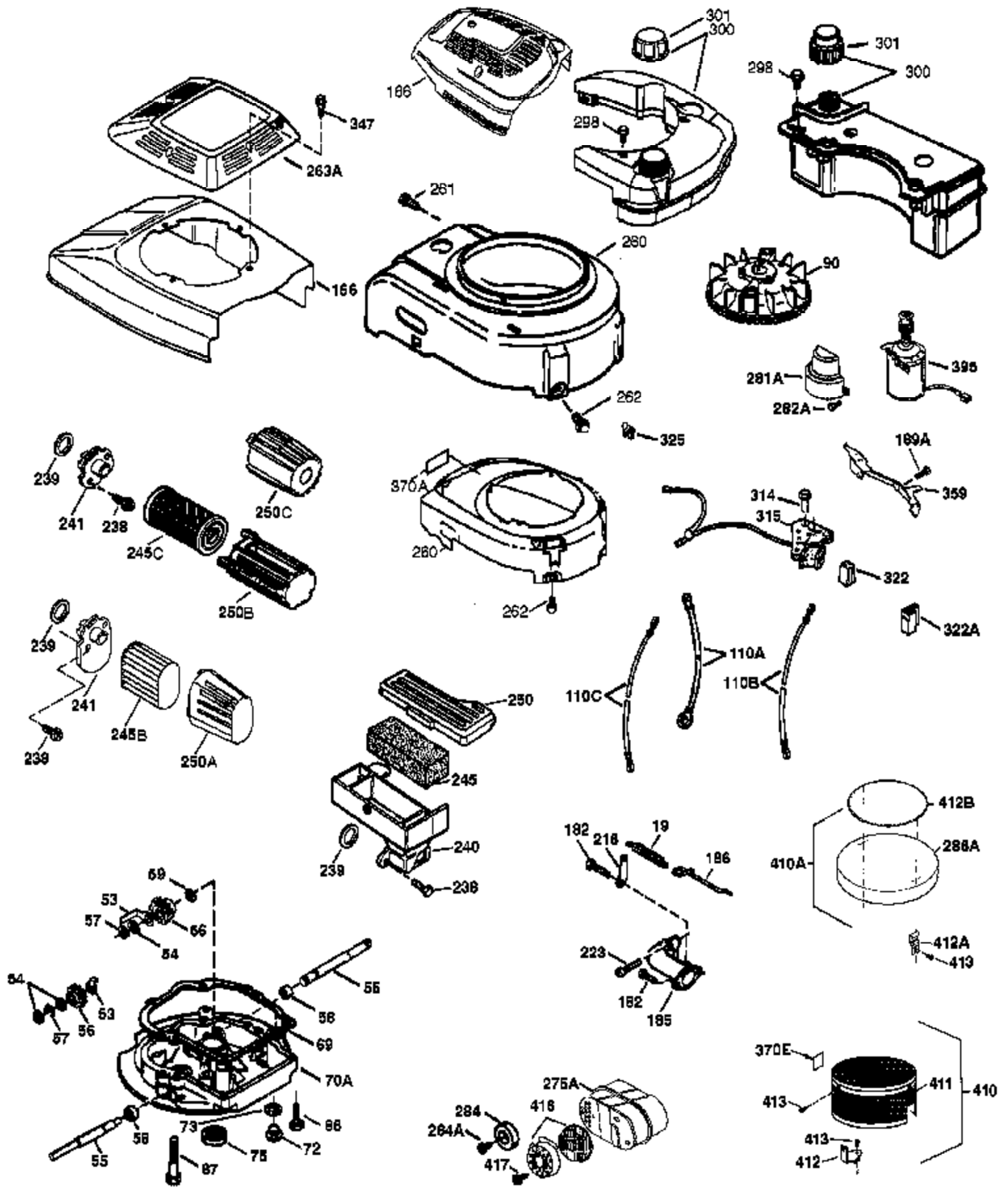


Ref #	Part Number	Qty	Description
	1 37280	1	Cylinder (Incl. 2,20 & 150)
	2 26727	2	Dowel Pin
	6 33734	1	Breather Element
	7 36557	1	Breather Ass'y. (Incl. 6 & 12A)
	12 36775	1	Breather Tube
	12A 36558	1	Breather Cover & Tube (Incl. 12B)
	12B 36694	1	Breather Tube Elbow
	14 28277	1	Washer
	15 31513	1	Governor Rod (Incl. 14)
	16 34839A	1	Governor Lever
	17 31335	1	Governor Lever Clamp
	18 651018	1	Screw, Torx T-15, 8-32 x 19/64"
	19 36281	1	Extension Spring
	20 32600	1	Oil Seal
	30 37145	1	Crankshaft
	40 35544A	1	Piston, Pin & Ring Set (Std.)
	40 35545A	1	Piston, Pin & Ring Set (.010" OS)
	40 35546	1	Piston, Pin & Ring Set (.020" OS)
	41 35541	1	Piston & Pin Ass'y. (Std.) (Incl. 43)
	41 35542	1	Piston & Pin Ass'y. (.010" OS) (Incl. 43)
	41 35543	1	Piston & Pin Ass'y. (.020" OS) (Incl. 43)
	42 35547A	1	Ring Set (Std.)
	42 35548A	1	Ring Set (.010" OS)
	42 35549	1	Ring Set (.020" OS)
	43 20381	2	Piston Pin Retaining Ring
	45 36777	1	Connecting Rod Ass'y. (Incl. 46)
	46 32610A	2	Connecting Rod Bolt
	48 27241	2	Valve Lifter
	50 37032	1	Camshaft (NCR)
	52 29914	1	Oil Pump Ass'y.
	69 37130	1	* Mounting Flange Gasket
	70 33521F	1	Mounting Flange (Incl. 58,72 thru 83, 311)
	72A 28534	1	Oil Drain Plug
	72 36083	1	Oil Drain Plug
	75 26208	1	Oil Seal
	80 30574A	1	Governor Shaft
	81 30590A	1	Washer
	82 30591	1	Governor Gear Ass'y. (Incl. 81)
	83 30588A	1	Governor Spool
	86 650488	5	Screw, 1/4-20 x 1-1/4"
	89 611004	1	Flywheel Key
	90 611112	1	Flywheel
	92 650815	1	Belleville Washer
	93 650816	1	Flywheel Nut
	100 34443C	1	Solid State Ignition
	101 610118	1	Spark Plug Cover
	103 651007	2	Screw, Torx T-15, 10-24 x 15/16"
	110 36230	1	Ground Wire
	119 37028	1	* Cylinder Head Gasket
	120 36825	1	Cylinder Head
	125 37288	1	Exhaust Valve (Std.) (Incl. 151)
	126 37289	1	Intake Valve (Std.) (Incl. 151)
	130 6021A	8	Screw, 5/16-18 x 1-1/2"
	135 35395	1	Resistor Spark Plug (RJ19LM)
	150 31672	2	Valve Spring
	151A 40017	1	Intake Valve Seal
	151 31673	2	Valve Spring Cap
	169 36783	1	* Valve Cover Gasket

Ref #	Part Number	Qty	Description
172	36784	1	Valve Cover
174	30200	2	Screw, 10-24 x 9/16"
178	29752	2	Nut & Lock Washer, 1/4-28
179	30593	1	Retainer Clip
182	6201	2	Screw, 1/4-28 x 7/8"
184	26756	1	* Carburetor To Intake Pipe Gasket
185	36785	1	Intake Pipe
186	34337	1	Governor Link
200	35727	1	Control Bracket (Incl. 202 thru 206)
202	36482	1	Compression Spring
203	31342	1	Compression Spring
204	651029	1	Screw, Torx T-10, 5-40 x 7/16"
205	651019	1	Screw, Torx T-10, 6-32 x 41/64"
206	610973	1	Terminal
207	34336	1	Throttle Link
209	30200	2	Screw, 10-24 x 9/16"
215	32410	1	Control Knob
223	650451	2	Screw, 1/4-20 x 1"
224	36786	1	* Intake Pipe Gasket
238	650932	2	Screw, 10-32 x 49/64"
239	34338	1	* Air Cleaner Gasket
245	35066	1	Air Cleaner Filter
250	35065	1	Air Cleaner Cover
260	36980	1	Blower Housing
261	30200	2	Screw, 10-24 x 9/16"
262	650831	2	Screw, 1/4-20 x 1/2"
275	36790A	1	Muffler
277	650988	2	Screw, 1/4-20 x 2-9/32"
285	35000A	1	Starter Cup
287	650926	2	Screw, 8-32 x 21/64"
290	29774	1	Fuel Line
292	26460	2	Fuel Line Clamp
298	28763	3	Screw, 10-32 x 35/64"
300	36916	1	Fuel Tank (Incl. 292 & 301)
301	36246	1	Fuel Cap
305	35647	1	Oil Fill Tube
306	36996	1	* "O"-Ring
307	35499	1	"O"-Ring
309	650562	1	Screw, 10-32 x 3/8"
310	35648	1	Dipstick
313	34080	1	Spacer
324	33177	1	Terminal
370	37269	1	4.0 H.P. Craftsman Decal
370K	36695	1	Starter Decal
370R	37317	1	Warning Decal
370A	36261	1	Lubrication Decal
370B	35169	1	Control Decal
370C	37318	1	Primer Decal (3X)
380	640262	1	Carburetor (Incl. 184)
390	590732	1	Rewind Starter (NOTE: This engine could have been built with 590738 starter).
400	37029A	1	* Gasket Set (Incl. items marked PK in notes). Incl. Part #s 26756 (1), 28833 (1), 34338 (1), 36783 (1), 36786 (1), 36832 (1), 36996 (1), 37028 (1), 37130 (1)
416	36085		Spark Arrestor Kit (Inc. 417) (Optional)
417	650983		Screw, 8-32 X 1/2" (Optional)
900	0	1	Replacement Engine 750824B, order from 71-999

Ref #	Part Number	Qty	Description
900	0		Replacement Short Block NONE



Ref #	Part Number	Qty	Description
	19 36281	1	Extension Spring
	41 35541	1	Piston & Pin Ass'y. (Std.) (Incl. 43)
	41 35542	1	Piston & Pin Ass'y. (.010" OS) (Incl. 43)
	41 35543	1	Piston & Pin Ass'y. (.020" OS) (Incl. 43)
	53 31745	1	Tang Washer
	54 31747	1	Washer
	55 31748	1	P.T.O. Shaft
	56 31746	1	R.H. Worm Gear
	57 31749	1	Retainer Ring
	58 31744	1	Oil Seal
	59 31787	1	Washer
	69 37130	1	* Mounting Flange Gasket
	72 36083	1	Oil Drain Plug
	75 26208	1	Oil Seal
	86 650488	5	Screw, 1/4-20 x 1-1/4"
	87 650492	1	Screw, 1/4-20 x 2-1/4"
	90 611112	1	Flywheel
110A	36816	1	Ground Wire
	182 6201	2	Screw, 1/4-28 x 7/8"
	185 36785	1	Intake Pipe
	186 34337	1	Governor Link
	223 650451	2	Screw, 1/4-20 x 1"
	238 650932	2	Screw, 10-32 x 49/64"
	239 34338	1	* Air Cleaner Gasket
	241 35797	1	Air Cleaner Collar
	245 35066	1	Air Cleaner Filter
	250 35065	1	Air Cleaner Cover
	260 36980	1	Blower Housing
	261 30200	2	Screw, 10-24 x 9/16"
	262 650831	2	Screw, 1/4-20 x 1/2"
275A	36838		Spark Arrestor Muffler (Inc. 284, 284A, 416 & 417) (Optional)
284A	650983		Screw, 8-32 X 1/2" (Optional)
	284 36663		Deflector (Inc. 284A) (Optional)
	298 28763	3	Screw, 10-32 x 35/64"
	300 36916	1	Fuel Tank (Incl. 292 & 301)
	301 36246	1	Fuel Cap
370A	36261	1	Lubrication Decal
	416 36085		Spark Arrestor Kit (Inc. 417) (Optional)
	417 650983		Screw, 8-32 X 1/2" (Optional)
	900 0	1	Replacement Engine 750824B, order from 71-999
	900 0		Replacement Short Block NONE