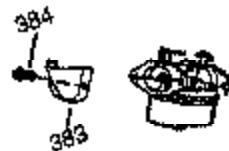
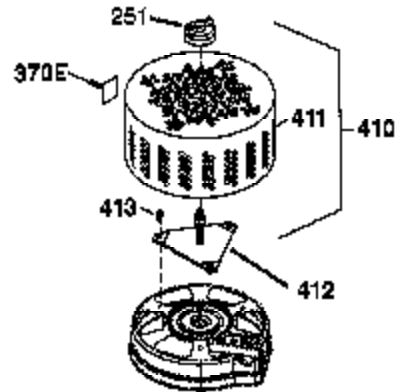
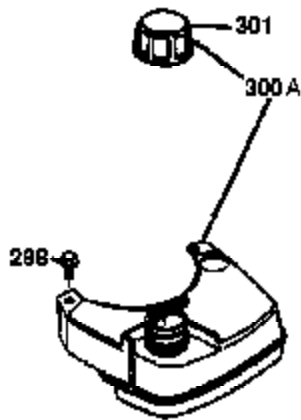
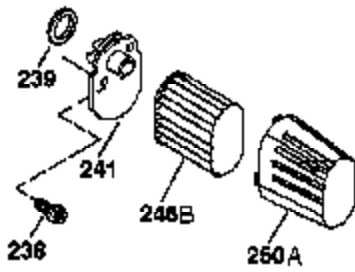
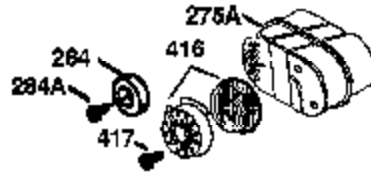
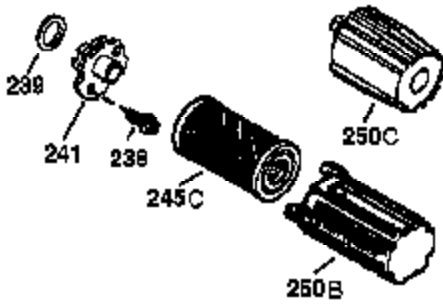


Ref #	Part Number	Qty	Description
1	37712	1	Cylinder (Incl. 2,20 & 150)
2	26727	2	Dowel Pin
6	33734	1	Breather Element
7	36557	1	Breather Assembly (Incl. 6 & 12A)
12B	36694	1	Breather Fitting
12A	36558	1	Breather Cover & Tube
12	37944	1	Breather Tube
14	28277	1	Washer
15	30589	1	Governor Rod (Incl. 14)
16	34839A	1	Governor Lever
17	31335	1	Governor Lever Clamp
18	651018	1	Screw, T-15, 8-32 x 19/64"
19	36281	1	Extension Spring
20	32600	1	Oil Seal
30	37785	1	Crankshaft
40	37722	1	Piston, Pin & Ring Set (Std.)
40	37723	1	Piston, Pin & Ring Set (.010" OS)
41	37720	1	Piston & Pin Ass'y. (Std.) (Incl. 43)
41	37721	1	Piston & Pin Ass'y. (.010" OS) (Incl. 43)
42	35547A	1	Ring Set (Std.)
42	35548A	1	Ring Set (.010" OS)
43	20381	2	Piston Pin Retaining Ring
45	36777	1	Connecting Rod Assembly (Incl. 46)
46	32610A	2	Connecting Rod Bolt
48	27241	2	Valve Lifter
50	37719	1	Camshaft (EMCR) (Incl. 104)
52	29914	1	Oil Pump Assembly
69	37797	1	* Mounting Flange Gasket
70	37608	1	Mounting Flange (Incl. 72 thru 83)
72	37614	2	Oil Drain Plug
75	27897	1	Oil Seal
80	30574A	1	Governor Shaft
81	30590A	1	Washer
82	30591	1	Governor Gear Assembly (Incl. 81)
83	30588A	1	Governor Spool
86	650488	6	Screw, 1/4-20 x 1-1/4"
89	611298	1	Flywheel Key
90	611299	1	Flywheel
92	650815	1	Belleville Washer
93	650816	1	Flywheel Nut
100	34443C	1	Solid State Ignition (Incl. 101)
101	610118	1	Spark Plug Cover
103	651007	2	Screw, T-15, 10-24 x 15/16"
104	37480	1	Cam Bushing
110	37047	1	Ground Wire
119	37715	1	* Cylinder Head Gasket
120	37714	1	Cylinder Head (Machined)
125	37288	1	Exhaust Valve (Std.) (Incl. 151)
126	37289	1	Intake Valve (Std.) (Incl. 151 & 151A)
130	6021A	8	Screw, 5/16-18 x 1-7/16"
135	35395	1	Resistor Spark Plug (RJ19LM)
150	31672	2	Valve Spring
151	31673	2	Valve Spring Cap
151A	40017	1	Intake Valve Seal
169	36783	1	* Valve Cover Gasket
172	36784	1	Valve Cover
174	30200	2	Screw, 10-24 x 9/16"
178	29752	2	Nut & Lock Washer, 1/4-28

Ref #	Part Number	Qty	Description
182	6201	2	Screw, 1/4-28 x 7/8"
184	26756	1	* Carburetor To Intake Pipe Gasket
185	37466	1	Intake Pipe
186	32653	1	Governor Link
189	650839	2	Screw, 1/4-20 x 27/64"
191	36559A	1	S.E. Brake Bracket (Incl. 195)
195	610973	1	Terminal
207	34336A	1	Throttle Link
216	33086	1	R.P.M. Adjusting Lever
223	650451	2	Screw, 1/4-20 x 1"
224	36786	1	* Intake Pipe Gasket
238	650932	2	Screw, 10-32 x 49/64"
239	34338	1	* Air Cleaner Gasket
245	36905	1	Air Cleaner Filter
250	37122	1	Air Cleaner Cover
251A	650928	1	Wing Nut, 1/4-20
260	37786	1	Blower Housing
261	30200	2	Screw, 10-24 x 9/16"
262	650831	2	Screw, 1/4-20 x 1/2"
275	37498	1	Muffler
277	650988	2	Screw, 1/4-20 x 2-9/32"
285	35000A	1	Starter Cup
287	650926	2	Screw, 8-32 x 21/64"
290	29774	1	Fuel Line
292	26460	2	Fuel Line Clamp
301	37844	1	Fuel Cap
305	35647	1	Oil Fill Tube (Incl. 306)
306	37610	1	* O-ring
307	35499	1	O-ring
309A	650783	1	Screw, 10-24 x 3/4"
309	650562	1	Screw, 10-32 x 1/2"
310	35648	1	Dipstick
311A	37611	1	Oil Fill Tube Hold Down Bracket
313	34080	1	Spacer
370D	36534	1	Caution Decal (French)
370A	36261	1	Instruction Decal
370C	37318	1	Primer Decal (3X)
370K	36695	1	Starter Decal
380	640303	1	Carburetor (Incl. 184)
390	590739	1	Rewind Starter (NOTE: This engine could have been built with 590702 starter.)
400	37716	1	* Gasket Set (Incl. items marked PK in notes)
420	730225A	1	SAE 30, 4-Cycle Engine Oil (Quart)



Ref #	Part Number	Qty	Description
238	650932	2	Screw, 10-32 x 49/64"
239	34338	1	* Air Cleaner Gasket
241	36919	1	Air Cleaner Collar
251	650886	1	Wing Nut, 1/4-20
251A	650928	1	Wing Nut, 1/4-20
298	28763	3	Screw, 10-32 x 49/64"
300A	37947	1	Fuel Tank (Incl. 292 & 301)
301	37844	1	Fuel Cap
370E	34387	1	Instruction Decal
411	37322	1	Debris Screen
412	37323	1	Recoil Bracket
413	650910	3	Screw, 8-32 x 1/4"
416	36085	1	Spark Arrestor Kit (Incl. 417)(Optional)
417	650821	1	Screw, 10-32 x 1/2" (Optional)