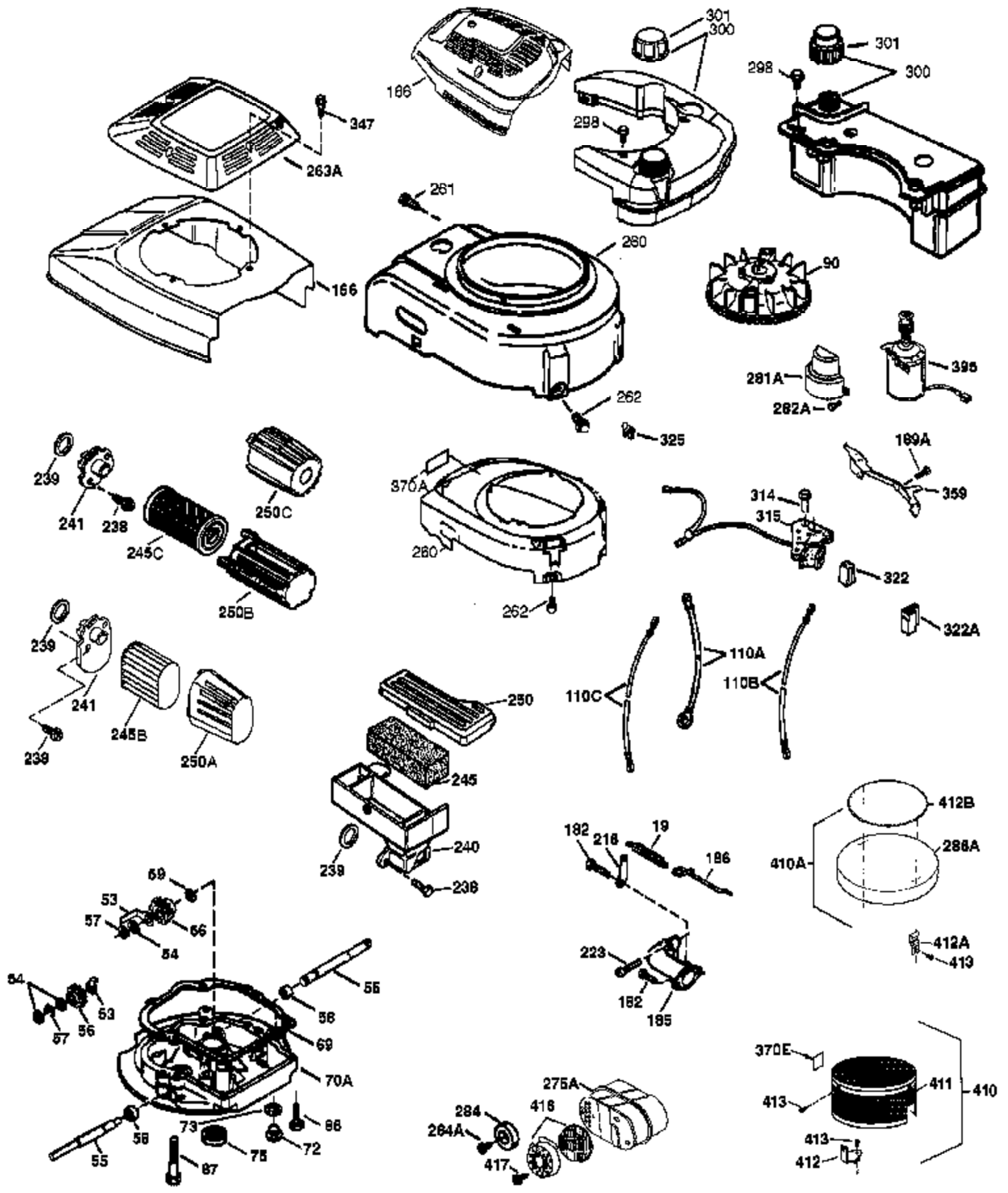


| Ref # | Part Number | Qty | Description |
|-------|-------------|-----|---|
| 1 | 36774 | 1 | Cylinder (Incl. 2 & 20) |
| 2 | 26727 | 2 | Dowel Pin |
| 6 | 33734 | 1 | Breather Element |
| 7 | 36557 | 1 | Breather Ass'y. (Incl. 6 & 12A) |
| 12A | 36558 | 1 | Breather Cover & Tube (Incl. 12B) |
| 12B | 36694 | 1 | Breather Tube Elbow |
| 12 | 36775 | 1 | Breather Tube |
| 14 | 28277 | 1 | Washer |
| 15 | 30589 | 1 | Governor Rod (Incl. 14) |
| 16 | 34839A | 1 | Governor Lever |
| 17 | 31335 | 1 | Governor Lever Clamp |
| 18 | 651018 | 1 | Screw, Torx T-15, 8-32 x 19/64" |
| 19 | 36281 | 1 | Extension Spring |
| 20 | 32600 | 1 | Oil Seal |
| 30 | 37035 | 1 | Crankshaft |
| 40 | 40004 | 1 | Piston, Pin & Ring Set (Std.) |
| 40 | 40005 | 1 | Piston, Pin & Ring Set (.010" OS) |
| 41 | 36070 | 1 | Piston & Pin Ass'y. (Std.) (Incl. 43) |
| 41 | 36071 | 1 | Piston & Pin Ass'y. (.010" OS) (Incl. 43) |
| 42 | 40006 | 1 | Ring Set (Std.) |
| 42 | 40007 | 1 | Ring Set (.010" OS) |
| 43 | 20381 | 2 | Piston Pin Retaining Ring |
| 45 | 36777 | 1 | Connecting Rod Ass'y. (Incl. 46) |
| 46 | 32610A | 2 | Connecting Rod Bolt |
| 48 | 27241 | 2 | Valve Lifter |
| 50 | 36778 | 1 | Camshaft (MCR) |
| 52 | 29914 | 1 | Oil Pump Ass'y. |
| 69 | 35261 | 1 | Mounting Flange Gasket |
| 70 | 34311D | 1 | Mounting Flange (Incl. 72 thru 83) |
| 72 | 36083 | 1 | Oil Drain Plug |
| 75 | 27897 | 1 | Oil Seal |
| 80 | 30574A | 1 | Governor Shaft |
| 81 | 30590A | 1 | Washer |
| 82 | 30591 | 1 | Governor Gear Ass'y. (Incl. 81) |
| 83 | 30588A | 1 | Governor Spool |
| 86 | 650488 | 6 | Screw, 1/4-20 x 1-1/4" |
| 89 | 611004 | 1 | Flywheel Key |
| 90 | 611112 | 1 | Flywheel |
| 92 | 650815 | 1 | Belleville Washer |
| 93 | 650816 | 1 | Flywheel Nut |
| 100 | 34443B | 1 | Solid State Ignition |
| 101 | 610118 | 1 | Spark Plug Cover |
| 103 | 651007 | 2 | Screw, Torx T-15, 10-24 x 15/16" |
| 110 | 34961 | 1 | Ground Wire |
| 119 | 36787 | 1 | * Cylinder Head Gasket |
| 120 | 36788 | 1 | Cylinder Head |
| 125 | 36779 | 1 | Exhaust Valve (Std.) (Incl. 151) |
| 125 | 36780 | 1 | Exhaust Valve (1/32" OS) (Incl. 151) |
| 126 | 36781 | 1 | Intake Valve (Std.) (Incl. 151) |
| 126 | 36782 | 1 | Intake Valve (1/32" OS) (Incl. 151) |
| 130 | 6021A | 8 | Screw, 5/16-18 x 1-1/2" |
| 135 | 35395 | 1 | Resistor Spark Plug (RJ19LM) |
| 150 | 35991 | 2 | Valve Spring |
| 151 | 31673 | 2 | Valve Spring Cap |
| 151A | 40017 | 1 | Intake Valve Seal |
| 169 | 36783 | 1 | * Valve Cover Gasket |
| 172 | 36784 | 1 | Valve Cover |
| 174 | 30200 | 2 | Screw, 10-24 x 9/16" |

| Ref # | Part Number | Qty | Description |
|-------|-------------|-----|---|
| 178 | 29752 | 2 | Nut & Lock Washer, 1/4-28 |
| 179 | 30593 | 1 | Retainer Clip |
| 182 | 6201 | 2 | Screw, 1/4-28 x 7/8" |
| 184 | 26756 | 1 | * Carburetor To Intake Pipe Gasket |
| 185 | 36785 | 1 | Intake Pipe |
| 186 | 34337 | 1 | Governor Link |
| 189 | 650839 | 2 | Screw, 1/4-20 x 3/8" |
| 190 | 35831 | 1 | Brake Lever |
| 191 | 35015B | 1 | S.E. Brake Bracket (Incl. 195) |
| 192 | 34966 | 1 | Brake Control Link |
| 193 | 34965 | 1 | Brake Spring |
| 194 | 32309 | 1 | Retaining Ring |
| 195 | 610973 | 1 | Terminal |
| 200 | 33131A | 1 | Control Bracket (Incl. 202 thru 206) |
| 202 | 36482 | 1 | Compression Spring |
| 203 | 31342 | 1 | Compression Spring |
| 204 | 650549 | 1 | Screw, 5-40 x 7/16" |
| 205 | 650777 | 1 | Screw, 6-32 x 21/32" |
| 206 | 610973 | 1 | Terminal |
| 207 | 34336 | 1 | Throttle Link |
| 209 | 30200 | 2 | Screw, 10-24 x 9/16" |
| 210 | 27793 | 1 | Conduit Clip |
| 211 | 28942 | 1 | Screw, 10-32 x 3/8" |
| 223 | 650451 | 2 | Screw, 1/4-20 x 1" |
| 224 | 36786 | 1 | * Intake Pipe Gasket |
| 238 | 650932 | 2 | Screw, 10-32 x 49/64" |
| 239 | 34338 | 1 | * Air Cleaner Gasket |
| 245 | 35066 | 1 | Air Cleaner Filter |
| 250 | 35986 | 1 | Air Cleaner Cover |
| 260 | 36798 | 1 | Blower Housing |
| 261 | 30200 | 2 | Screw, 10-24 x 9/16" |
| 262 | 650831 | 2 | Screw, 1/4-20 x 1/2" |
| 275 | 36790 | 1 | Muffler (Incl. 277) |
| 277 | 650988 | 2 | Screw, 1/4-20 x 2-5/16" |
| 285 | 35000A | 1 | Starter Cup |
| 287 | 650926 | 2 | Screw, 8-32 x 21/64" |
| 290 | 34357 | 1 | Fuel Line |
| 292 | 26460 | 2 | Fuel Line Clamp |
| 300 | 35586 | 1 | Fuel Tank (Incl. 292 & 301) |
| 301 | 36246 | 1 | Fuel Cap |
| 305 | 35577 | 1 | Oil Fill Tube |
| 306 | 36832 | 1 | * "O"-Ring |
| 307 | 35499 | 1 | "O"-Ring |
| 309 | 650562 | 1 | Screw, 10-32 x 1/2" |
| 310 | 35578 | 1 | Dipstick |
| 313 | 34080 | 1 | Spacer |
| 324 | 33177 | 1 | Terminal |
| 357 | 36412 | 1 | Starter Rope Retainer |
| 370A | 36261 | 1 | Lubrication Decal |
| 370K | 36695 | 1 | Starter Decal |
| 380 | 640026 | 1 | Carburetor (Incl. 184) |
| 390 | 590694 | 1 | Rewind Starter (NOTE: This engine could have been built with 590737 starter). |
| 400 | 36792 | 1 | * Gasket Set (Incl. items marked PK in notes). Incl. Part #s 26756 (1), 28833 (1), 36832 (1), 34338 (1), 35261 (1), 36783 (1), 36786 (1), 36787 (1) |
| 416 | 36085 | 1 | Spark Arrestor Kit (Incl. 417)(Optional) |

| Ref # | Part Number | Qty | Description |
|-------|-------------|-----|--|
| 417 | 650760 | 1 | Screw, 8-32 x 3/8" (Optional) |
| 420 | 730225 | 1 | SAE 30 4-Cycle Engine Oil (Quart) |
| 514 | 36458A | 1 | Brake Lock Out Device (Incl. 515) WARNING! Do not use the brake lock out device on engines required to meet CPSC safety standard for walkbehind power lawnmowers, Title 16, Part 1205 of the code of Federal Regulations or you will be in violation of the law. |
| 515 | 650926 | 1 | Screw, 8-32 x 21/64" |



| Ref # | Part Number | Qty | Description |
|-------|-------------|-----|---|
| | 19 36281 | 1 | Extension Spring |
| | 41 36070 | 1 | Piston & Pin Ass'y. (Std.) (Incl. 43) |
| | 41 36071 | 1 | Piston & Pin Ass'y. (.010" OS) (Incl. 43) |
| | 69 35261 | 1 | Mounting Flange Gasket |
| | 72 36083 | 1 | Oil Drain Plug |
| | 75 27897 | 1 | Oil Seal |
| | 86 650488 | 6 | Screw, 1/4-20 x 1-1/4" |
| | 90 611112 | 1 | Flywheel |
| 110A | 36230 | 1 | Ground Wire |
| | 182 6201 | 2 | Screw, 1/4-28 x 7/8" |
| | 185 36785 | 1 | Intake Pipe |
| | 186 34337 | 1 | Governor Link |
| | 223 650451 | 2 | Screw, 1/4-20 x 1" |
| | 238 650932 | 2 | Screw, 10-32 x 49/64" |
| | 239 34338 | 1 | * Air Cleaner Gasket |
| | 241 35797 | 1 | Air Cleaner Collar |
| | 245 35066 | 1 | Air Cleaner Filter |
| | 250 35986 | 1 | Air Cleaner Cover |
| | 260 36798 | 1 | Blower Housing |
| | 261 30200 | 2 | Screw, 10-24 x 9/16" |
| | 262 650831 | 2 | Screw, 1/4-20 x 1/2" |
| 284A | 650760 | 1 | Screw, 8-32 x 3/8" |
| | 284 34422 | 1 | Muffler Deflector (Incl. 284A) |
| | 300 35586 | 1 | Fuel Tank (Incl. 292 & 301) |
| | 301 36246 | 1 | Fuel Cap |
| 370A | 36261 | 1 | Lubrication Decal |
| | 416 36085 | 1 | Spark Arrestor Kit (Incl. 417)(Optional) |
| | 417 650760 | 1 | Screw, 8-32 x 3/8" (Optional) |