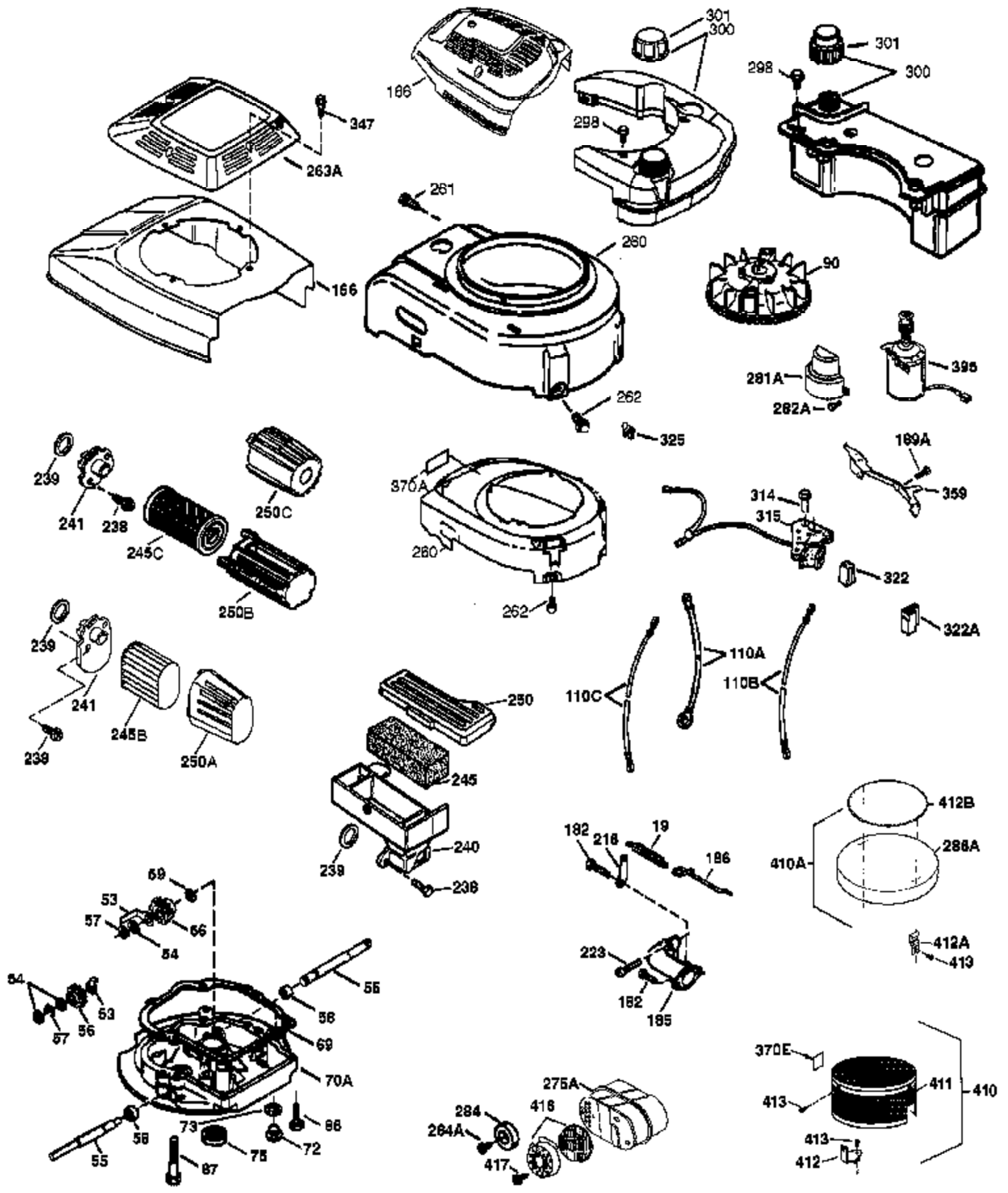


| Ref # | Part Number | Qty | Description |
|-------|-------------|-----|---|
| | 1 37266 | 1 | Cylinder (Incl. 2,20 & 150) |
| | 2 26727 | 2 | Dowel Pin |
| | 6 33734 | 1 | Breather Element |
| | 7 36557 | 1 | Breather Ass'y. (Incl. 6 & 12A) |
| 12A | 36558 | 1 | Breather Cover & Tube |
| | 14 28277 | 1 | Washer |
| | 15 30589 | 1 | Governor Rod (Incl. 14) |
| | 16 34839A | 1 | Governor Lever |
| | 17 31335 | 1 | Governor Lever Clamp |
| | 18 651018 | 1 | Screw, Torx T-15, 8-32 x 19/64" |
| | 19 36281 | 1 | Extension Spring |
| | 20 32600 | 1 | Oil Seal |
| | 30 36797 | 1 | Crankshaft |
| | 40 40004 | 1 | Piston, Pin & Ring Set (Std.) |
| | 40 40005 | 1 | Piston, Pin & Ring Set (.010" OS) |
| | 41 36070 | 1 | Piston & Pin Ass'y. (Std.) (Incl. 43) |
| | 41 36071 | 1 | Piston & Pin Ass'y. (.010" OS) (Incl. 43) |
| | 42 40006 | 1 | Ring Set (Std.) |
| | 42 40007 | 1 | Ring Set (.010" OS) |
| | 43 20381 | 2 | Piston Pin Retaining Ring |
| | 45 36777 | 1 | Connecting Rod Ass'y. (Incl. 46) |
| | 46 32610A | 2 | Connecting Rod Bolt |
| | 48 27241 | 2 | Valve Lifter |
| | 50 36778 | 1 | Camshaft (MCR) |
| | 52 29914 | 1 | Oil Pump Ass'y. |
| | 69 35261 | 1 | * Mounting Flange Gasket |
| | 70 34311E | 1 | Mounting Flange (Incl. 72 thru 83) |
| | 72 30572 | 1 | Oil Drain Plug (Incl. 73) |
| | 73 28833 | 1 | Drain Plug Gasket |
| | 75 27897 | 1 | Oil Seal |
| | 80 30574A | 1 | Governor Shaft |
| | 81 30590A | 1 | Washer |
| | 82 30591 | 1 | Governor Gear Ass'y. (Incl. 81) |
| | 83 30588A | 1 | Governor Spool |
| | 86 650488 | 6 | Screw, 1/4-20 x 1-1/4" |
| | 89 611004 | 1 | Flywheel Key |
| | 90 611112 | 1 | Flywheel |
| | 92 650815 | 1 | Belleville Washer |
| | 93 650816 | 1 | Flywheel Nut |
| | 100 34443B | 1 | Solid State Ignition |
| | 101 610118 | 1 | Spark Plug Cover |
| | 103 651007 | 2 | Screw, Torx T-15, 10-24 x 15/16" |
| | 110 37047 | 1 | Ground Wire |
| | 110 36230 | 1 | Ground Wire |
| | 119 36787 | 1 | * Cylinder Head Gasket |
| | 120 36825 | 1 | Cylinder Head |
| | 125 37288 | 1 | Exhaust Valve (Std.) (Incl. 151) |
| | 126 37289 | 1 | Intake Valve (Std.) (Incl. 151) |
| | 130 6021A | 8 | Screw, 5/16-18 x 1-1/2" |
| | 135 35395 | 1 | Resistor Spark Plug (RJ19LM) |
| | 150 31672 | 2 | Valve Spring |
| | 151 31673 | 2 | Valve Spring Cap |
| 151A | 40017 | 1 | Intake Valve Seal |
| | 169 36783 | 1 | * Valve Cover Gasket |
| | 172 36784 | 1 | Valve Cover |
| | 174 30200 | 2 | Screw, 10-24 x 9/16" |
| | 178 29752 | 2 | Nut & Lock Washer, 1/4-28 |
| | 179 30593 | 1 | Retainer Clip |

| Ref # | Part Number | Qty | Description |
|-------|-------------|-----|---|
| 182 | 6201 | 2 | Screw, 1/4-28 x 7/8" |
| 184 | 26756 | 1 | * Carburetor To Intake Pipe Gasket |
| 185 | 36785 | 1 | Intake Pipe |
| 186 | 34337 | 1 | Governor Link |
| 189 | 650839 | 1 | Screw, 1/4-20 x 3/8" |
| 191 | 36559A | 1 | S.E. Brake Bracket (Incl. 195) |
| 195 | 610973 | 1 | Terminal |
| 200 | 33131A | 1 | Control Bracket (Incl. 202 thru 206) |
| 202 | 36482 | 1 | Compression Spring |
| 203 | 31342 | 1 | Compression Spring |
| 204 | 651029 | 1 | Screw, Torx T-10, 5-40 x 7/16" |
| 205 | 651019 | 1 | Screw, Torx T-10, 6-32 x 19/64" |
| 206 | 610973 | 1 | Terminal |
| 207 | 34336 | 1 | Throttle Link |
| 209 | 30200 | 2 | Screw, 10-24 x 9/16" |
| 210 | 27793 | 1 | Conduit Clip |
| 211 | 28942 | 1 | Screw, 10-32 x 3/8" |
| 223 | 650451 | 2 | Screw, 1/4-20 x 1" |
| 224 | 36786 | 1 | * Intake Pipe Gasket |
| 238 | 650806 | 2 | Screw, 10-32 x 5/8" |
| 239 | 34338 | 1 | * Air Cleaner Gasket |
| 240 | 36743 | 1 | Air Cleaner Body |
| 245 | 36745 | 1 | Air Cleaner Filter |
| 250 | 36744 | 1 | Air Cleaner Cover |
| 260 | 36800 | 1 | Blower Housing |
| 261 | 30200 | 2 | Screw, 10-24 x 9/16" |
| 262 | 650831 | 2 | Screw, 1/4-20 x 1/2" |
| 275 | 36790A | 1 | Muffler |
| 277 | 650988 | 2 | Screw, 1/4-20 x 2-5/16" |
| 285 | 35000A | 1 | Starter Cup |
| 287 | 650926 | 2 | Screw, 8-32 x 21/64" |
| 290 | 34357 | 1 | Fuel Line |
| 292 | 26460 | 2 | Fuel Line Clamp |
| 298 | 28763 | 3 | Screw, 10-32 x 35/64" |
| 300 | 36757 | 1 | Fuel Tank (Incl. 292 & 301) |
| 301 | 36246 | 1 | Fuel Cap |
| 305 | 35577 | 1 | Oil Fill Tube |
| 306 | 36996 | 1 | * "O"-Ring |
| 307 | 35499 | 1 | "O"-Ring |
| 309 | 650562 | 1 | Screw, 10-32 x 1/2" |
| 310 | 35578 | 1 | Dipstick |
| 313 | 34080 | 1 | Spacer |
| 324 | 33177 | 1 | Terminal |
| 370A | 36261 | 1 | Lubrication Decal |
| 370C | 37199 | 1 | Primer Decal |
| 370D | 35977 | 1 | Caution Decal |
| 370K | 36695 | 1 | Starter Decal |
| 380 | 640029 | 1 | Carburetor (Incl. 184) |
| 390 | 590737 | 1 | Rewind Starter (NOTE: This engine could have been built with 590694 starter). |
| 400 | 36792B | 1 | * Gasket Set (Incl. items marked PK in notes). Incl. Part #s 26756 (1), 28833 (1), 34338 (1), 36783 (1), 36786 (1), 36787 (1), 36832 (1), 36996 (1), 37130 (1). |
| 416 | 36085 | 1 | Spark Arrestor Kit (Incl. 417)(Optional) |
| 417 | 650821 | 1 | Screw, 10-32 x 1/2" (Optional) |
| 420 | 730225 | 1 | SAE 30 4-Cycle Engine Oil (Quart) |

| Ref # | Part Number | Qty | Description |
|-------|-------------|-----|--|
| 514 | 36458A | 1 | Brake Lock Out Device (Incl. 515) WARNING! Do not use the brake lock out device on engines required to meet CPSC safety standard for walkbehind power lawnmowers, Title 16, Part 1205 of the code of Federal Regulations or you will be in violation of the law. |
| 515 | 650926 | 1 | Screw, 8-32 x 21/64" |



| Ref # | Part Number | Qty | Description |
|-------|-------------|-----|---|
| 19 | 36281 | 1 | Extension Spring |
| 41 | 36070 | 1 | Piston & Pin Ass'y. (Std.) (Incl. 43) |
| 41 | 36071 | 1 | Piston & Pin Ass'y. (.010" OS) (Incl. 43) |
| 69 | 35261 | 1 | * Mounting Flange Gasket |
| 72 | 30572 | 1 | Oil Drain Plug (Incl. 73) |
| 73 | 28833 | 1 | Drain Plug Gasket |
| 75 | 27897 | 1 | Oil Seal |
| 86 | 650488 | 6 | Screw, 1/4-20 x 1-1/4" |
| 90 | 611112 | 1 | Flywheel |
| 182 | 6201 | 2 | Screw, 1/4-28 x 7/8" |
| 185 | 36785 | 1 | Intake Pipe |
| 186 | 34337 | 1 | Governor Link |
| 223 | 650451 | 2 | Screw, 1/4-20 x 1" |
| 238 | 650806 | 2 | Screw, 10-32 x 5/8" |
| 239 | 34338 | 1 | * Air Cleaner Gasket |
| 240 | 36743 | 1 | Air Cleaner Body |
| 245 | 36745 | 1 | Air Cleaner Filter |
| 250 | 36744 | 1 | Air Cleaner Cover |
| 260 | 36800 | 1 | Blower Housing |
| 261 | 30200 | 2 | Screw, 10-24 x 9/16" |
| 262 | 650831 | 2 | Screw, 1/4-20 x 1/2" |
| 263A | 36758 | 1 | Starter Grill |
| 298 | 28763 | 3 | Screw, 10-32 x 35/64" |
| 300 | 36757 | 1 | Fuel Tank (Incl. 292 & 301) |
| 301 | 36246 | 1 | Fuel Cap |
| 370A | 36261 | 1 | Lubrication Decal |
| 416 | 36085 | 1 | Spark Arrestor Kit (Incl. 417)(Optional) |
| 417 | 650821 | 1 | Screw, 10-32 x 1/2" (Optional) |