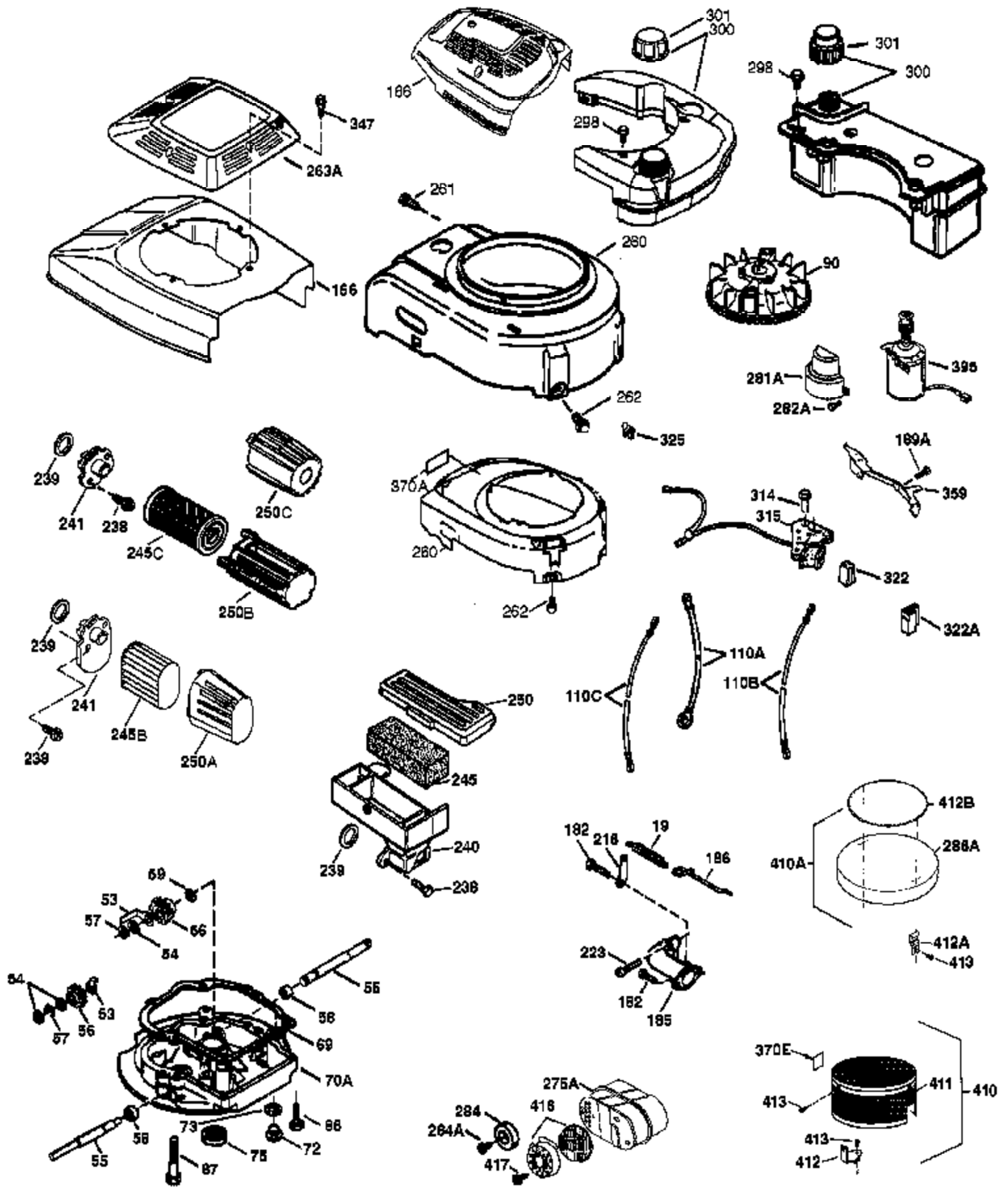


Ref #	Part Number	Qty	Description
	1 37465	1	Cylinder (Incl. 2, 20 & 150)
	2 26727	2	Dowel Pin
	6 33734	1	Breather Element
	7 36557	1	Breather Ass'y. (Incl. 6 & 12A)
12A	36558	1	Breather Cover & Tube (Incl. 12B)
	12 36775	1	Breather Tube
12B	36694	1	Breather Tube Elbow
	14 28277	1	Washer
	15 30589	1	Governor Rod (Incl. 14)
	16 34839A	1	Governor Lever
	17 31335	1	Governor Lever Clamp
	18 651018	1	Screw, T-15, 8-32 x 19/64"
	19 36281	1	Extension Spring
	20 32600	1	Oil Seal
	30 37459	1	Crankshaft
	40 40044	1	Piston, Pin & Ring Set (Std.)
	40 40045	1	Piston, Pin & Ring Set (.010" OS)
	41 40042	1	Piston & Pin Ass'y. (Std.) (Incl. 43)
	41 40043	1	Piston & Pin Ass'y. (.010" OS)(Incl. 43)
	42 40006	1	Ring Set (Std.)
	42 40007	1	Ring Set (.010" OS)
	43 20381	2	Piston Pin Retaining Ring
	45 36777	1	Connecting Rod Ass'y. (Incl. 46)
	46 32610A	2	Connecting Rod Bolt
	48 27241	2	Valve Lifter
	50 37460	1	Camshaft Exhaust (MCR) (Incl. 104)
	52 29914	1	Oil Pump Ass'y.
	69 37609	1	* Mounting Flange Gasket
	70 37608	1	Mounting Flange (Incl. 72-83,306,309A & 311A)
	72 37614	1	Oil Drain Plug
	75 27897	1	Oil Seal
	80 30574A	1	Governor Shaft
	81 30590A	1	Washer
	82 30591	1	Governor Gear Ass'y. (Incl. 81)
	83 30588A	1	Governor Spool
	86 650488	6	Screw, 1/4-20 x 1-1/4"
	89 611004	1	Flywheel Key
	90 611112	1	Flywheel
	92 650815	1	Belleville Washer
	93 650816	1	Flywheel Nut
	100 34443C	1	Solid State Ignition
	101 610118	1	Spark Plug Cover
	103 651007	2	Screw, T-15, 10-24 x 15/16"
	104 34080	1	Cam Bushing
	110 37047	1	Ground Wire
	119 36787	1	* Cylinder Head Gasket
	120 36825	1	Cylinder Head
	125 37288	1	Exhaust Valve (Std.) (Incl. 151)
	125 36780	1	Exhaust Valve (1/32" OS) (Incl. 151)
	126 37289	1	Intake Valve (Std.)(Incl. 151 & 151A)
	130 6021A	8	Screw, 5/16-18 x 1-7/16"
	135 35395	1	Resistor Spark Plug (RJ19LM)
	150 31672	2	Valve Spring
151A	40017	1	Intake Valve Seal
	151 31673	2	Valve Spring Cap
	169 36783	1	* Valve Cover Gasket
	172 36784	1	Valve Cover
	174 30200	2	Screw, 10-24 x 9/16"

Ref #	Part Number	Qty	Description
178	29752	2	Nut & Lock Washer, 1/4-28
179	30593	1	Retainer Clip
182	6201	2	Screw, 1/4-28 x 7/8"
184	26756	1	* Carburetor To Intake Pipe Gasket
185	37466	1	Intake Pipe
186	32653	1	Governor Link
189	650839	2	Screw, 1/4-20 x 27/64"
191	36559A	1	S.E. Brake Bracket (Incl. 195)
195	610973	1	Terminal
200	33205A	1	Control Bracket (Incl. 202 Thru 206)
202	36482	1	Compression Spring
203	31342	1	Compression Spring
204	651029	1	Screw, T-10, 5-40 x 7/16"
205	651019	1	Screw, T-10, 6-32 x 41/64"
206	610973	1	Terminal
207	34336A	1	Choke Link
209	30200	2	Screw, 10-24 x 9/16"
215	32410	1	Control Knob
223A	651074	1	Intake Pipe Stud
223	650451	1	Screw, 1/4-20 x 1"
224	36786	1	* Intake Pipe Gasket
238	650932	2	Screw, 10-32 x 49/64"
239	34338	1	* Air Cleaner Gasket
245	36905	1	Air Cleaner Filter
250	37122	1	Air Cleaner Cover
260	37724	1	Blower Housing
261	30200	2	Screw, 10-24 x 9/16"
262	650831	2	Screw, 1/4-20 x 1/2"
275	37498	1	Muffler
277	650988	2	Screw, 1/4-20 x 2-9/32"
279A	650902	1	Screw, 10-32 x 7/16"
279	650737	1	Screw, 1/4-20 x 1/2"
279B	30200	1	Screw, 10-24 x 9/16"
280	37499	1	Heat Shield
285	35000A	1	Starter Cup
287	650926	2	Screw, 8-32 x 21/64"
290	34357	1	Fuel Line
292	26460	2	Fuel Line Clamp
298	28763	3	Screw, 10-32 x 39/64"
300	36757	1	Fuel Tank (Incl. 292 & 301)
301	36246	1	Fuel Cap Ass'y
305	35577A	1	Oil Fill Tube (Incl. 306)
306	37610	1	* "O"-Ring
307	35499	1	"O"-Ring
309	650562	1	Screw, 10-32 x 1/2"
309A	650783	1	Screw, 10-24 x 3/4"
310	35578	1	Dipstick
311A	37611	1	Hold Down Bracket
324	33177	1	Terminal
361	651075	1	Lock Nut
370D	35977	1	Caution Decal
370D	36534	1	Caution Decal
370F	33183	1	Stop Decal
370K	36695	1	Starter Decal
370C	37318	1	Primer Decal (3X)
380	640303	1	Carburetor (Incl. 184)
390	590737	1	Rewind Starter
400	37613	1	* Gasket Set (Incl. items marked PK i n notes)

Ref #	Part Number	Qty	Description
416	37530	1	Spark Arrestor Kit (Incl. 417)(Optional)
417	650760	1	Screw, 8-32 x 3/8" (Optional)
514	36458A	1	Brake Lock Out Device (Incl. 515) WARNING! Do not use the brake lock out device on engines required to meet CPSC Safety Standard for walk behind power lawn mowers. Title 16, Part 1205, of the code of Federal Regulations or you will be in violation of the law.
515	650926	2	Screw, 8-32 x 21/64"



Ref #	Part Number	Qty	Description
19	36281	1	Extension Spring
41	40042	1	Piston & Pin Ass'y. (Std.) (Incl. 43)
41	40043	1	Piston & Pin Ass'y. (.010" OS)(Incl. 43)
69	37609	1	* Mounting Flange Gasket
72	37614	1	Oil Drain Plug
75	27897	1	Oil Seal
86	650488	6	Screw, 1/4-20 x 1-1/4"
90	611112	1	Flywheel
110A	37574	1	Ground Wire
182	6201	2	Screw, 1/4-28 x 7/8"
185	37466	1	Intake Pipe
186	32653	1	Governor Link
216	33086	1	R.P.M. Adjusting Lever
223	650451	1	Screw, 1/4-20 x 1"
238	650932	2	Screw, 10-32 x 49/64"
239	34338	1	* Air Cleaner Gasket
241	36919	1	Air Cleaner Collar
245	36905	1	Air Cleaner Filter
250	37122	1	Air Cleaner Cover
260	37724	1	Blower Housing
261	30200	2	Screw, 10-24 x 9/16"
262	650831	2	Screw, 1/4-20 x 1/2"
263A	36758	1	Starter Grille
298	28763	3	Screw, 10-32 x 39/64"
300	36757	1	Fuel Tank (Incl. 292 & 301)
301	36246	1	Fuel Cap Ass'y
411	37322	1	Debris Screen
412	37323	1	Debris Screen Bracket
413	650910	3	Screw, 8-32 x 1/4"
416	37530	1	Spark Arrestor Kit (Incl. 417)(Optional)
417	650760	1	Screw, 8-32 x 3/8" (Optional)