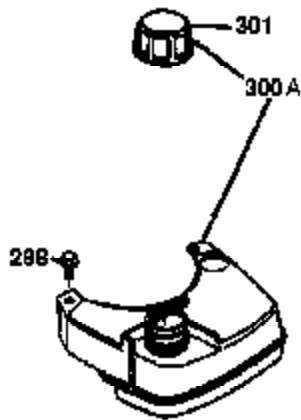
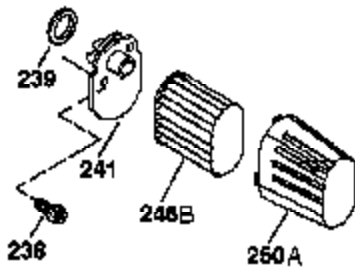
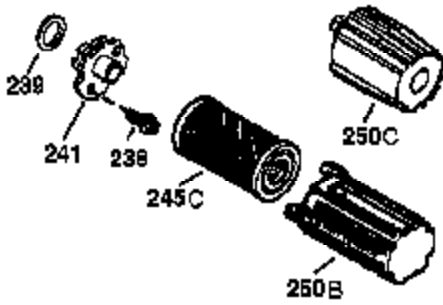


| Ref # | Part Number | Qty | Description                             |
|-------|-------------|-----|---|
|       | 1 37312     | 1   | Cylinder (Incl. 2 & 20)                 |
|       | 2 26727     | 2   | Dowel Pin                               |
|       | 6 33734     | 1   | Breather Element                        |
|       | 7 36557     | 1   | Breather Ass'y. (Incl. 6 & 12A)         |
| 12A   | 36558       | 1   | Breather Cover & Tube                   |
|       | 14 28277    | 1   | Washer                                  |
|       | 15 30589    | 1   | Governor Rod (Incl. 14)                 |
|       | 16 34839A   | 1   | Governor Lever                          |
|       | 17 31335    | 1   | Governor Lever Clamp                    |
|       | 18 651018   | 1   | Screw, Torx T-15, 8-32 x 19/64"         |
|       | 19 33578    | 1   | Extension Spring                        |
|       | 20 32600    | 1   | Oil Seal                                |
|       | 30 37307    | 1   | Crankshaft                              |
|       | 40 40034    | 1   | Piston, Pin & Ring Set (Std.)           |
|       | 41 40032    | 1   | Piston & Pin Ass'y. (Std.) (Incl. 43)   |
|       | 42 40036    | 1   | Ring Set (Std.)                         |
|       | 43 20381    | 2   | Piston Pin Retaining Ring               |
|       | 45 30963B   | 1   | Connecting Rod Ass'y. (Incl. 46)        |
|       | 46 32610A   | 2   | Connecting Rod Bolt                     |
|       | 48 27241    | 2   | Valve Lifter                            |
|       | 50 37032    | 1   | Camshaft (NCR)                          |
|       | 52 29914    | 1   | Oil Pump Ass'y.                         |
|       | 69 35261    | 1   | * Mounting Flange Gasket                |
|       | 70 30571C   | 1   | Mounting Flange (Incl. 72 thru 83,311 ) |
|       | 72 36083    | 1   | Oil Drain Plug                          |
|       | 75 26208    | 1   | Oil Seal                                |
|       | 80 30574A   | 1   | Governor Shaft                          |
|       | 81 30590A   | 1   | Washer                                  |
|       | 82 30591    | 1   | Governor Gear Ass'y. (Incl. 81)         |
|       | 83 30588A   | 1   | Governor Spool                          |
|       | 86 650488   | 6   | Screw, 1/4-20 x 1-1/4"                  |
|       | 89 611004   | 1   | Flywheel Key                            |
|       | 90 611112   | 1   | Flywheel                                |
|       | 92 650815   | 1   | Belleville Washer                       |
|       | 93 650816   | 1   | Flywheel Nut                            |
|       | 100 34443B  | 1   | Solid State Ignition                    |
|       | 101 610118  | 1   | Spark Plug Cover                        |
|       | 103 651007  | 2   | Screw, Torx T-15, 10-24 x 15/16"        |
|       | 110 37047   | 1   | Ground Wire                             |
|       | 119 37314   | 1   | * Cylinder Head Gasket                  |
|       | 120 37316   | 1   | Cylinder Head                           |
|       | 125 36471   | 1   | Exhaust Valve (Std.) (Incl. 151)        |
|       | 125 36472   | 1   | Exhaust Valve (1/32" OS) (Incl. 151)    |
|       | 126 29314C  | 1   | Intake Valve (Std.) (Incl. 151)         |
|       | 130 6021A   | 8   | Screw, 5/16-18 x 1-1/2"                 |
|       | 135 35395   | 1   | Resistor Spark Plug (RJ19LM)            |
|       | 150 31672   | 2   | Valve Spring                            |
| 151A  | 40016A      | 1   | Intake Valve Seal                       |
|       | 151 31673   | 2   | Valve Spring Cap                        |
|       | 169 36783   | 1   | * Valve Cover Gasket                    |
|       | 172 36784   | 1   | Valve Cover                             |
|       | 174 30200   | 2   | Screw, 10-24 x 9/16"                    |
|       | 178 29752   | 2   | Nut & Lock Washer, 1/4-28               |
|       | 182 6201    | 2   | Screw, 1/4-28 x 7/8"                    |
|       | 184 26756   | 1   | * Carburetor To Intake Pipe Gasket      |
|       | 185 36785   | 1   | Intake Pipe                             |
|       | 186 32653   | 1   | Governor Link                           |
|       | 189 650839  | 2   | Screw, 1/4-20 x 3/8"                    |

| Ref # | Part Number | Qty | Description  |
|-------|-------------|-----|--|
| 191   | 36559A      | 1   | S.E. Brake Bracket (Incl. 195)   |
| 195   | 610973      | 1   | Terminal   |
| 207   | 34336       | 1   | Throttle Link  |
| 216   | 33086       | 1   | R.P.M. Adjusting Lever   |
| 223   | 650451      | 2   | Screw, 1/4-20 x 1"   |
| 224   | 36786       | 1   | * Intake Pipe Gasket   |
| 238   | 650806      | 2   | Screw, 10-32 x 5/8"  |
| 239   | 34338       | 1   | * Air Cleaner Gasket   |
| 240   | 37115       | 1   | Air Cleaner Body (Incl. 239)   |
| 245   | 37116       | 1   | Air Cleaner Filter   |
| 245A  | 37117       | 1   | Pre-Air Cleaner Filter   |
| 250   | 37118       | 1   | Air Cleaner Cover  |
| 260   | 37309       | 1   | Blower Housing   |
| 261   | 30200       | 2   | Screw, 10-24 x 9/16"   |
| 262   | 650831      | 2   | Screw, 1/4-20 x 1/2"   |
| 275   | 37192A      | 1   | Muffler  |
| 277   | 650988      | 2   | Screw, 1/4-20 x 2-5/16"  |
| 285   | 35000A      | 1   | Starter Cup  |
| 287   | 650926      | 2   | Screw, 8-32 x 21/64"   |
| 290   | 34357       | 1   | Fuel Line  |
| 292   | 26460       | 2   | Fuel Line Clamp  |
| 300   | 35586       | 1   | Fuel Tank (Incl. 292 & 301)  |
| 301   | 36246       | 1   | Fuel Cap   |
| 311   | 27625       | 1   | Oil Fill Plug  |
| 313   | 34080       | 1   | Spacer   |
| 370C  | 37199       | 1   | Primer Decal   |
| 370K  | 36695       | 1   | Starter Decal  |
| 380   | 640199      | 1   | Carburetor (Incl. 184)   |
| 390   | 590737      | 1   | Rewind Starter (NOTE: This engine could have been built with 590694 starter.)  |
| 400   | 37315       | 1   | * Gasket Set (Incl. items marked PK in notes). Incl. Part #s 26756 (1), 34338 (1), 36783 (1), 36786 (1), 36996 (1), 37130 (1), 37314 (1) |
| 420   | 730225A     | 1   | SAE 30 4-Cycle Engine Oil (Quart)  |



| Ref # | Part Number | Qty | Description                              |
|-------|-------------|-----|--|
| 238   | 650806      | 2   | Screw, 10-32 x 5/8"                      |
| 239   | 34338       | 1   | * Air Cleaner Gasket                     |
| 301   | 36246       | 1   | Fuel Cap                                 |
| 416   | 36085       | 1   | Spark Arrestor Kit (Incl. 417)(Optional) |
| 417   | 650821      | 1   | Screw, 10-32 x 1/2" (Optional)           |