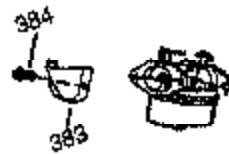
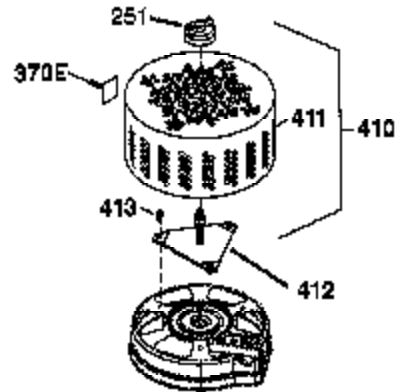
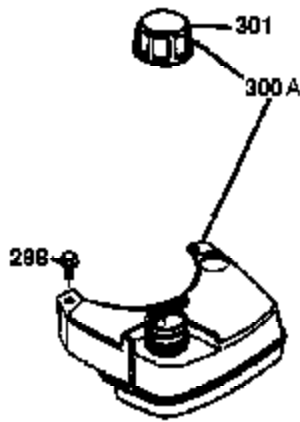
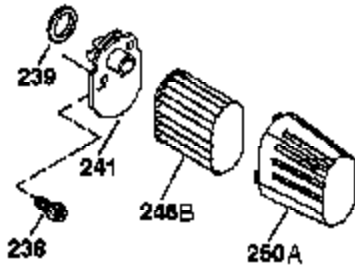
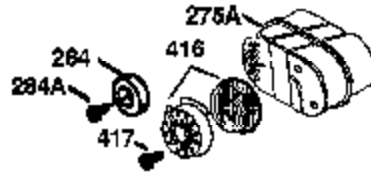
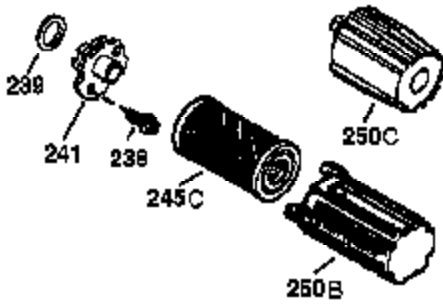


| Ref # | Part Number | Qty | Description |
|-------|-------------|-----|---------------------------------------|
| | 1 37791 | 1 | Cylinder (Incl. 2 & 20) |
| | 2 26727 | 2 | Dowel Pin |
| | 6 33734 | 1 | Breather Element |
| | 7 36557 | 1 | Breather Ass'y. (Incl. 6 & 12A) |
| | 12 32447 | 1 | Breather Tube |
| | 12B 36694 | 1 | Breather Tube Elbow |
| | 12A 36558 | 1 | Breather Cover & Tube |
| | 14 28277 | 1 | Washer |
| | 15 30589 | 1 | Governor Rod (Incl. 14) |
| | 16 34839A | 1 | Governor Lever |
| | 17 31335 | 1 | Governor Lever Clamp |
| | 18 651018 | 1 | Screw, T-15, 8-32 x 19/64" |
| | 19 33578 | 1 | Extension Spring |
| | 20 32600 | 1 | Oil Seal |
| | 30 37810 | 1 | Crankshaft |
| | 40 40053 | 1 | Piston, Pin & Ring Set (Std.) |
| | 41 40051 | 1 | Piston & Pin Ass'y. (Std.) (Incl. 43) |
| | 42 40022 | 1 | Ring Set (Std.) |
| | 43 20381 | 2 | Piston Pin Retaining Ring |
| | 45 30963B | 1 | Connecting Rod Ass'y. (Incl. 46) |
| | 46 32610A | 2 | Connecting Rod Bolt |
| | 48 27241 | 2 | Valve Lifter |
| | 50 37575 | 1 | Camshaft (NCR)(Incl. 104) |
| | 52 29914 | 1 | Oil Pump Ass'y. |
| | 69 37609 | 1 | * Mounting Flange Gasket |
| | 70 37607 | 1 | Mounting Flange (Incl. 72 thru 83) |
| | 72 37614 | 1 | Oil Drain Plug |
| | 75 27897 | 1 | Oil Seal |
| | 80 30574A | 1 | Governor Shaft |
| | 81 30590A | 1 | Washer |
| | 82 30591 | 1 | Governor Gear Ass'y. (Incl. 81) |
| | 83 30588A | 1 | Governor Spool |
| | 86 650488 | 6 | Screw, 1/4-20 x 1-1/4" |
| | 89 611004 | 1 | Flywheel Key |
| | 90 611112 | 1 | Flywheel |
| | 92 650815 | 1 | Belleville Washer |
| | 93 650816 | 1 | Flywheel Nut |
| | 100 34443C | 1 | Solid State Ignition |
| | 101 610118 | 1 | Spark Plug Cover |
| | 103 651007 | 2 | Screw, T-15, 10-24 x 15/16" |
| | 104 37480 | 1 | Cam Bushing |
| | 110 37047 | 1 | Ground Wire |
| | 119 37755 | 1 | * Cylinder Head Gasket |
| | 120 37807 | 1 | Cylinder Head |
| | 125 37806 | 1 | Exhaust Valve (Std.) (Incl. 151) |
| | 126 37805 | 1 | Intake Valve (Std.) (Incl. 151) |
| | 130 6021A | 8 | Screw, 5/16-18 x 1-1/2" |
| | 135 35395 | 1 | Resistor Spark Plug (RJ19LM) |
| | 150 31672 | 2 | Valve Spring |
| | 151 31673 | 2 | Valve Spring Cap |
| | 151A 40016A | 1 | Intake Valve Seal |
| | 169 36783 | 1 | * Valve Cover Gasket |
| | 172 36784 | 1 | Valve Cover |
| | 174 30200 | 2 | Screw, 10-24 x 9/16" |
| | 178 29752 | 2 | Nut & Lock Washer, 1/4-28 |
| | 182 6201 | 2 | Screw, 1/4-28 x 7/8" |
| | 184 26756 | 1 | * Carburetor To Intake Pipe Gasket |
| | 185 37794 | 1 | Intake Pipe |

| Ref # | Part Number | Qty | Description |
|-------|-------------|-----|---|
| 186 | 32653 | 1 | Governor Link |
| 189 | 650839 | 2 | Screw, 1/4-20 x 3/8" |
| 191 | 36559A | 1 | S.E. Brake Bracket (Incl. 195) |
| 195 | 610973 | 1 | Terminal |
| 207 | 34336A | 1 | Throttle Link |
| 216 | 33086 | 1 | R.P.M. Adjusting Lever |
| 223 | 650451 | 2 | Screw, 1/4-20 x 1" |
| 224 | 37793 | 1 | * Intake Pipe Gasket |
| 238 | 650932 | 2 | Screw, 10-32 x 49/64" |
| 239 | 34338 | 1 | * Air Cleaner Gasket |
| 245 | 35066 | 1 | Air Cleaner Filter |
| 250 | 35986 | 1 | Air Cleaner Cover (Craftsman) |
| 260 | 37808 | 1 | Blower Housing |
| 261 | 30200 | 2 | Screw, 10-24 x 9/16" |
| 262 | 650831 | 2 | Screw, 1/4-20 x 1/2" |
| 275 | 37192A | 1 | Muffler |
| 277 | 650988 | 2 | Screw, 1/4-20 x 2-5/16" |
| 279 | 28763 | 2 | Screw, 10-32 x 39/64" |
| 280 | 37717 | 1 | Heat Shield |
| 285 | 35000A | 1 | Starter Cup |
| 287 | 650926 | 2 | Screw, 8-32 x 21/64" |
| 290 | 29774 | 1 | Fuel Line |
| 292 | 26460 | 2 | Fuel Line Clamp |
| 300 | 35586A | 1 | Fuel Tank (Incl. 292 & 301) |
| 301 | 36246 | 1 | Fuel Cap |
| 311 | 27625 | 2 | Oil Fill Plug (Incl. 312) |
| 312 | 29673 | 2 | Oil Fill Plug Gasket |
| 313 | 34080 | 1 | Spacer |
| 370C | 37318 | 1 | Primer Decal (3X) |
| 370K | 36695 | 1 | Starter Decal |
| 370R | 36534 | 1 | Warning Decal |
| 370 | 37269 | 1 | Name Decal |
| 380 | 640339 | 1 | Carburetor (Incl. 184) |
| 390 | 590737 | 1 | Rewind Starter (NOTE: This engine could have been built with 590694 starter.) |
| 400 | 37809 | 1 | * Gasket Set (Incl. items marked PK in notes) |
| 420 | 730225A | 1 | SAE 30 4-Cycle Engine Oil (Quart) |



| Ref # | Part Number | Qty | Description |
|-------|-------------|-----|--|
| 238 | 650932 | 2 | Screw, 10-32 x 49/64" |
| 239 | 34338 | 1 | * Air Cleaner Gasket |
| 241 | 35797 | 1 | Air Cleaner Collar |
| 275A | 36838A | 1 | Spark Arrestor Muffler (Optional) (Incl. 284,284A,416 & 417) |
| 284 | 36663 | 1 | Muffler Deflector (Incl. 284A)(Optional) |
| 284A | 650821 | 1 | Screw, 10-32 x 1/2" (Optional) |
| 298 | 28763 | 3 | Screw, 10-32 x 39/64" |
| 301 | 36246 | 1 | Fuel Cap |
| 370R | 36534 | 1 | Warning Decal |
| 370 | 37269 | 1 | Name Decal |
| 416 | 37530 | 1 | Spark Arrestor Kit (Incl. 417)(Optional) |
| 417 | 650821 | 1 | Screw, 10-32 x 1/2" (Optional) |