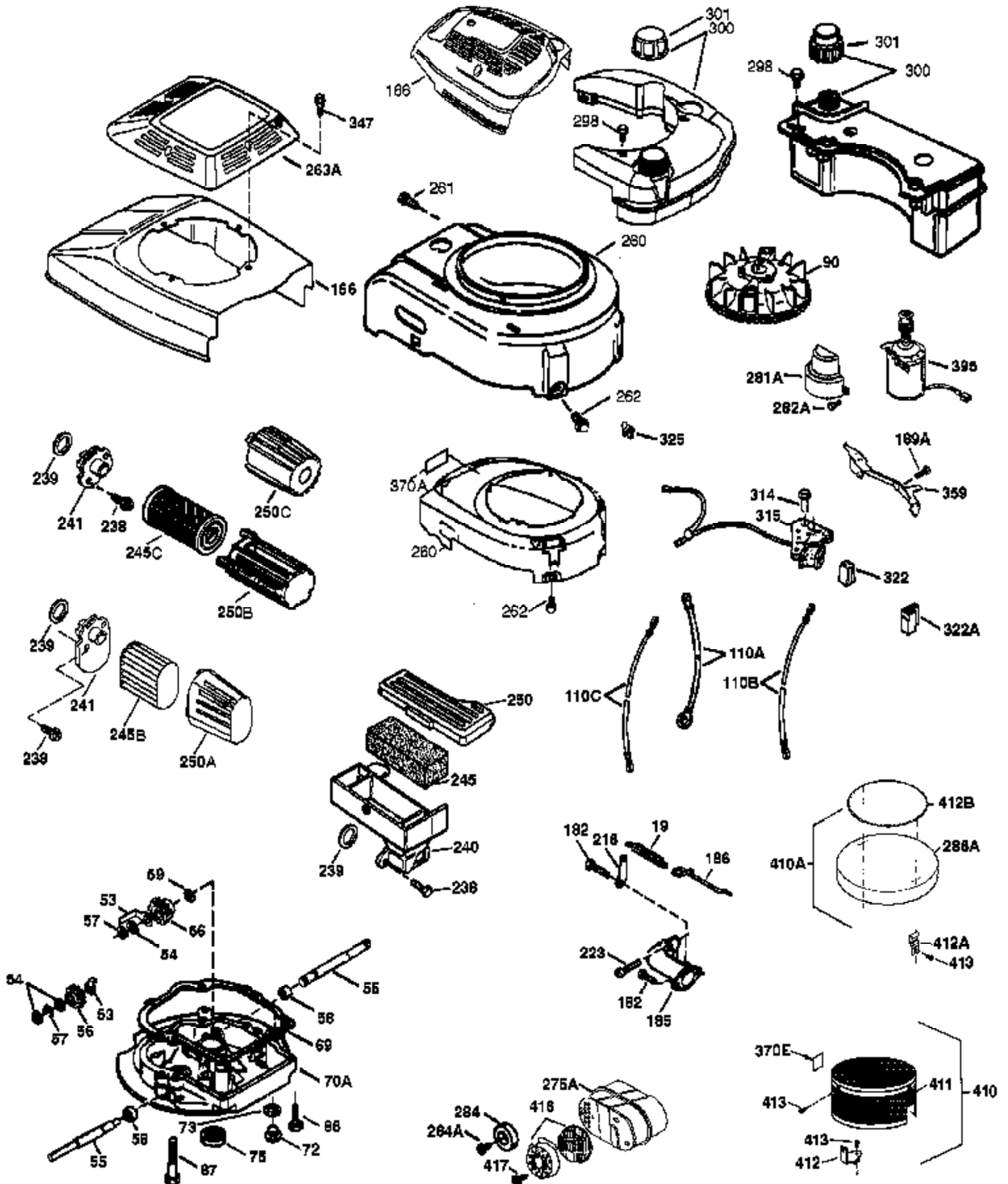


| Ref # | Part Number | Qty | Description |
|-------|-------------|-----|---|
| | 1 37465 | 1 | Cylinder (Incl. 2, 20 & 150) |
| | 2 26727 | 2 | Dowel Pin |
| | 6 33734 | 1 | Breather Element |
| | 7 36557 | 1 | Breather Ass'y. (Incl. 6 & 12A) |
| 12A | 36558 | 1 | Breather Cover & Tube (Incl. 12B) |
| 12 | 37944 | 1 | Breather Tube |
| 12B | 36694 | 1 | Breather Tube Elbow |
| 14 | 28277 | 1 | Washer |
| 15 | 30589 | 1 | Governor Rod (Incl. 14) |
| 16 | 34839A | 1 | Governor Lever |
| 17 | 31335 | 1 | Governor Lever Clamp |
| 18 | 651018 | 1 | Screw, T-15, 8-32 x 19/64" |
| 19 | 36281 | 1 | Extension Spring |
| 20 | 32600 | 1 | Oil Seal |
| 30 | 37459 | 1 | Crankshaft |
| 40 | 40027 | 1 | Piston, Pin & Ring Set (Std.) |
| 41 | 40042 | 1 | Piston & Pin Ass'y. (Std.) (Incl. 43) |
| 42 | 40006 | 1 | Ring Set (Std.) |
| 43 | 20381 | 2 | Piston Pin Retaining Ring |
| 45 | 36777 | 1 | Connecting Rod Ass'y. (Incl. 46) |
| 46 | 32610A | 2 | Connecting Rod Bolt |
| 48 | 27241 | 2 | Valve Lifter |
| 50 | 37460 | 1 | Camshaft (Exhaust) (MCR) (Inc. 104) |
| 52 | 29914 | 1 | Oil Pump Ass'y. |
| 69 | 37609 | 1 | * Mounting Flange Gasket |
| 70 | 37608 | 1 | Mounting Flange (Incl. 72-83,306,309A & 311A) |
| 72 | 37614 | 1 | Oil Drain Plug |
| 75 | 27897 | 1 | Oil Seal |
| 80 | 30574A | 1 | Governor Shaft |
| 81 | 30590A | 1 | Washer |
| 82 | 30591 | 1 | Governor Gear Ass'y. (Incl. 81) |
| 83 | 30588A | 1 | Governor Spool |
| 86 | 650488 | 6 | Screw, 1/4-20 x 1-1/4" |
| 89 | 611004 | 1 | Flywheel Key |
| 90 | 37787 | 1 | Flywheel |
| 92 | 650815 | 1 | Belleville Washer |
| 93 | 650816 | 1 | Flywheel Nut |
| 100 | 34443C | 1 | Solid State Ignition |
| 101 | 610118 | 1 | Spark Plug Cover |
| 103 | 651007 | 2 | Screw, T-15, 10-24 x 15/16" |
| 104 | 37480 | 1 | Cam Bushing |
| 110 | 37047 | 1 | Ground Wire |
| 119 | 37796 | 1 | * Cylinder Head Gasket |
| 120 | 37714 | 1 | Cylinder Head |
| 125 | 37288 | 1 | Exhaust Valve (Std.) (Incl. 151) |
| 125 | 36780 | 1 | Exhaust Valve (1/32" OS) (Incl. 151) |
| 126 | 37289 | 1 | Intake Valve (Std.) (Incl. 151 & 151A) |
| 130 | 6021A | 8 | Screw, 5/16-18 x 1-7/16" |
| 135 | 35395 | 1 | Resistor Spark Plug (RJ19LM) |
| 150 | 31672 | 2 | Valve Spring |
| 151 | 31673 | 2 | Valve Spring Cap |
| 151A | 40017 | 1 | Intake Valve Seal |
| 169 | 36783 | 1 | * Valve Cover Gasket |
| 172 | 36784 | 1 | Valve Cover |
| 174 | 30200 | 2 | Screw, 10-24 x 9/16" |
| 178 | 29752 | 2 | Nut & Lock Washer, 1/4-28 |
| 182 | 6201 | 2 | Screw, 1/4-28 x 7/8" |
| 184 | 26756 | 1 | * Carburetor To Intake Pipe Gasket |

| Ref # | Part Number | Qty | Description |
|-------|-------------|-----|---|
| 185 | 37466 | 1 | Intake Pipe |
| 186 | 32653 | 1 | Governor Link |
| 189 | 650839 | 2 | Screw, 1/4-20 x 3/8" |
| 191 | 36559A | 1 | S.E. Brake Bracket (Incl. 195) |
| 195 | 610973 | 1 | Terminal |
| 196 | 35035 | 1 | Power Restart Switch |
| 207 | 34336A | 1 | Throttle Link |
| 223 | 650451 | 2 | Screw, 1/4-20 x 1" |
| 224 | 36786 | 1 | * Intake Pipe Gasket |
| 238 | 650932 | 2 | Screw, 10-32 x 49/64" |
| 239 | 34338 | 1 | * Air Cleaner Gasket |
| 245 | 36905 | 1 | Air Cleaner Filter |
| 250 | 37122 | 1 | Air Cleaner Cover |
| 260 | 37693A | 1 | Blower Housing |
| 261 | 30200 | 2 | Screw, 10-24 x 9/16" |
| 262 | 650831 | 2 | Screw, 1/4-20 x 1/2" |
| 275 | 37498 | 1 | Muffler |
| 277 | 650988 | 2 | Screw, 1/4-20 x 2-9/32" |
| 285 | 35000A | 1 | Starter Cup |
| 287 | 650926 | 2 | Screw, 8-32 x 21/64" |
| 290 | 29774 | 1 | Fuel Line |
| 292 | 26460 | 2 | Fuel Line Clamp |
| 298 | 28763 | 2 | Screw, 10-32 x 35/64" |
| 300 | 37947 | 1 | Fuel Tank (Incl. 292 & 301) |
| 301 | 37844 | 1 | Fuel Cap |
| 305 | 35647 | 1 | Oil Fill Tube |
| 306 | 37610 | 1 | * "O"-Ring |
| 307 | 35499 | 1 | "O"-Ring |
| 309A | 650783 | 1 | Screw, 10-24 x 3/4" |
| 309 | 650562 | 1 | Screw, 10-32 x 1/2" |
| 310 | 35648 | 1 | Dipstick |
| 311A | 37611 | 1 | Hold Down Bracket |
| 313 | 34080 | 1 | Spacer |
| 325B | 29443 | 1 | Wire Clip |
| 325A | 37152 | 1 | Wire Clip |
| 355 | 590701 | 1 | Starter Handle |
| 361 | 650831 | 2 | Screw, 1/4-20 x 1/2" |
| 370A | 36261 | 2 | Lubrication Decal |
| 370C | 37318 | 1 | Primer Decal (3 X) |
| 380 | 640303 | 1 | Carburetor (Incl. 184) |
| 390 | 590739 | 1 | Rewind Starter (NOTE: This engine could have been built with 590702 starter.) |
| 400 | 37613A | 1 | * Gasket Set (Incl. items marked PK in notes) |
| 416 | 37530 | 1 | Spark Arrestor Kit (Incl. 417)(Optional) |
| 417 | 650760 | 1 | Screw, 8-32 x 3/8" (Optional) |



| Ref # | Part Number | Qty | Description |
|-------|-------------|-----|--|
| 19 | 36281 | 1 | Extension Spring |
| 41 | 40042 | 1 | Piston & Pin Ass'y. (Std.) (Incl. 43) |
| 69 | 37609 | 1 | * Mounting Flange Gasket |
| 72 | 37614 | 1 | Oil Drain Plug |
| 75 | 27897 | 1 | Oil Seal |
| 86 | 650488 | 6 | Screw, 1/4-20 x 1-1/4" |
| 90 | 37787 | 1 | Flywheel |
| 110B | 36954 | 1 | Ground Wire |
| 110A | 36953 | 1 | Ground Wire |
| 182 | 6201 | 2 | Screw, 1/4-28 x 7/8" |
| 185 | 37466 | 1 | Intake Pipe |
| 186 | 32653 | 1 | Governor Link |
| 216 | 33086 | 1 | R.P.M. Adjusting Lever |
| 223 | 650451 | 2 | Screw, 1/4-20 x 1" |
| 238 | 650932 | 2 | Screw, 10-32 x 49/64" |
| 239 | 34338 | 1 | * Air Cleaner Gasket |
| 241 | 36919 | 1 | Air Cleaner Collar |
| 245 | 36905 | 1 | Air Cleaner Filter |
| 250 | 37122 | 1 | Air Cleaner Cover |
| 260 | 37693A | 1 | Blower Housing |
| 261 | 30200 | 2 | Screw, 10-24 x 9/16" |
| 262 | 650831 | 2 | Screw, 1/4-20 x 1/2" |
| 298 | 28763 | 2 | Screw, 10-32 x 35/64" |
| 300 | 37947 | 1 | Fuel Tank (Incl. 292 & 301) |
| 301 | 37844 | 1 | Fuel Cap |
| 314 | 650767 | 2 | Screw, 8-32 x 27/64" |
| 315 | 36952 | 1 | Alternator Coil (Milli Amp) |
| 322 | 35013 | 1 | Connector Body |
| 325B | 29443 | 1 | Wire Clip |
| 325 | 35249 | 1 | Wire Clip |
| 355 | 590701 | 1 | Starter Handle |
| 370A | 36261 | 2 | Lubrication Decal |
| 395 | 37753 | 1 | Electric Starter Motor (12 Volt) |
| 416 | 37530 | 1 | Spark Arrestor Kit (Incl. 417)(Optional) |
| 417 | 650760 | 1 | Screw, 8-32 x 3/8" (Optional) |