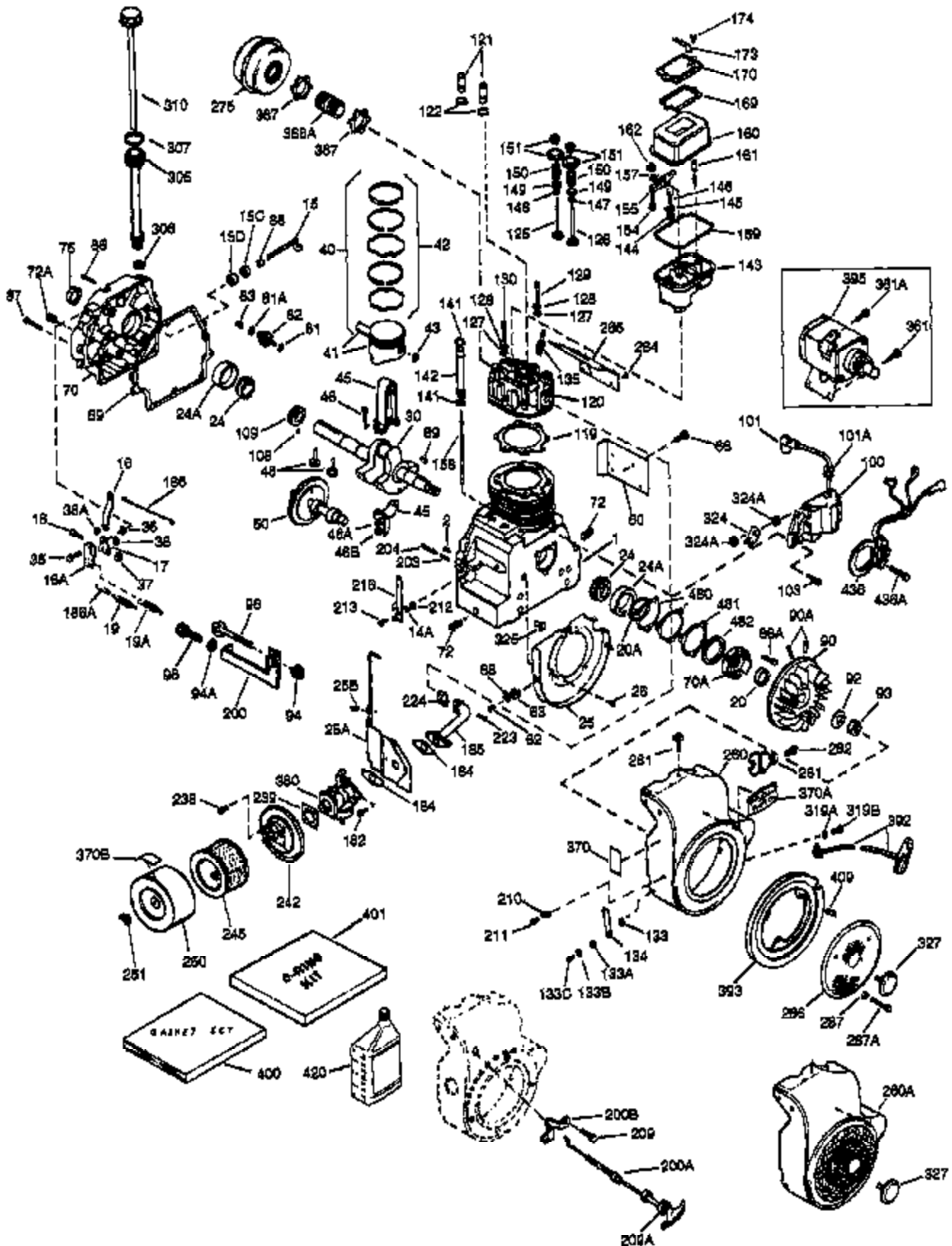


(Page 1 of 2)

IMAGE FILE: ENOH120.2



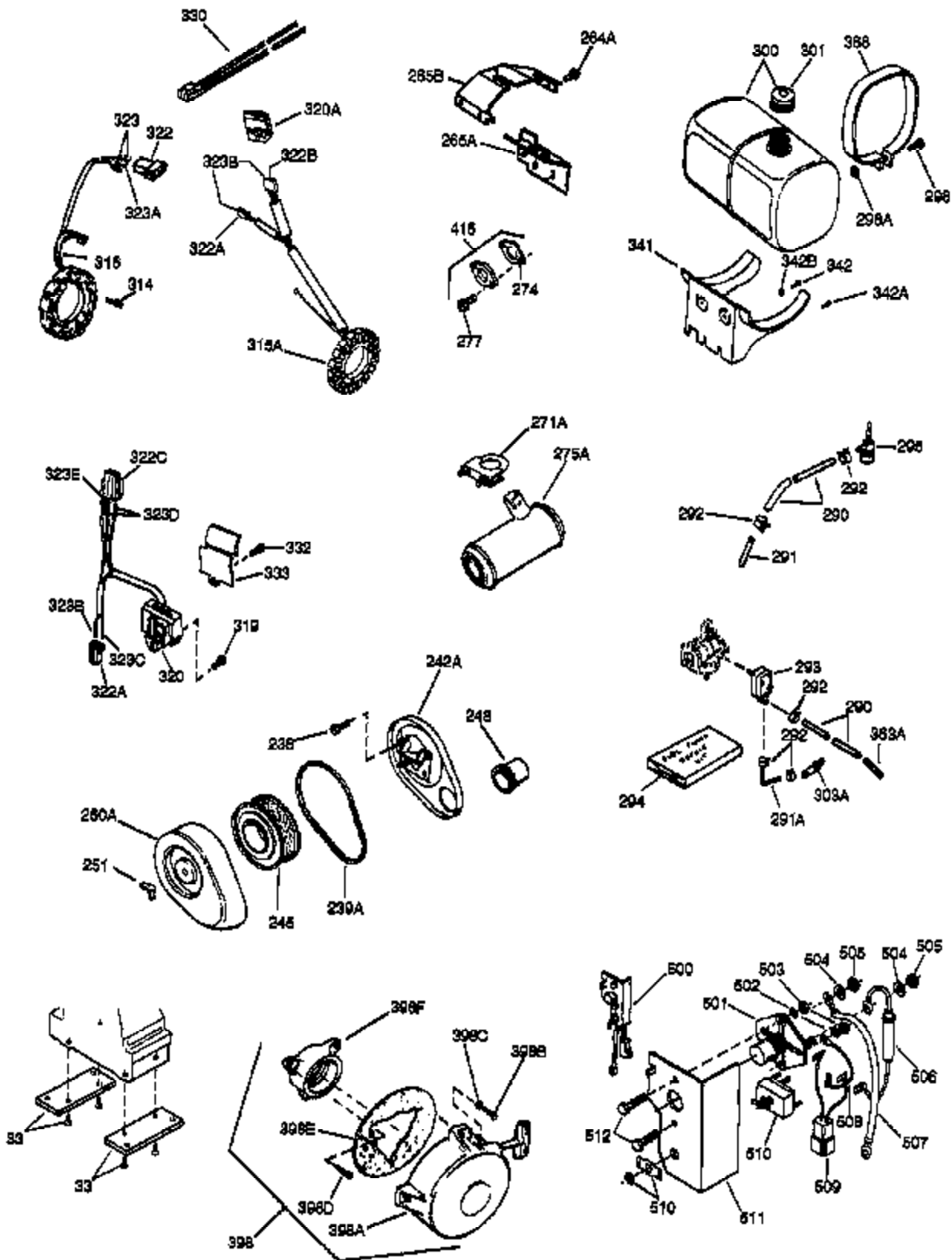
Ref #	Part Number	Qty	Description
1	34291A	1	Cylinder (Incl. 2, 20, 72 & 72A)
2	27652	2	Dowel Pin
14A	28558	1	Washer
15	32425	1	Governor Rod
16	31963	1	Governor Lever
16B	31965	1	Governor Spring Plate
17	31964	1	Governor Lever Clamp
18	650544	1	Screw, Torx T-25, 10-24 x 7/8"
19	31967	1	Extension Spring
20	31950	1	* Oil Seal
20A	32599	1	* "O" Ring
24A	31928	2	Bearing Cup
24	31932	2	Tapered Roller Bearing
25A	33477A	1	Air Baffle
25	32579	1	Blower Housing Baffle
25B	650738	1	Screw, 1/4-20 x 5/8"
26	650561	3	Screw, 1/4-20 x 5/8"
30	34278B	1	Crankshaft
35	30312	1	Screw, 10-32 x 1/2"
37	7975	1	Lock Nut, 10-24
38	29193	1	Retaining Ring
38A	650518	1	Washer
40	34546	1	Piston, Pin & Ring Set (Std.)
40	34547	1	Piston, Pin & Ring Set (.010" OS)
40	34548	1	Piston, Pin & Ring Set (.020" OS)
41	34292B	1	Piston & Pin Ass'y. (Std.) (Incl. 43)
41	34293B	1	Piston & Pin Ass'y. (.010" OS) (Incl. 43)
41	34294B	1	Piston & Pin Ass'y. (.020" OS) (Incl. 43)
42	34297	1	Ring Set (Std.)
42	34298	1	Ring Set (.010" OS)
42	34299	1	Ring Set (.020" OS)
43	31919	2	Piston Pin Retaining Ring
45	33093A	1	Connecting Rod Ass'y. (Incl.46 - 46B)
45	34383	1	Connecting Rod Ass'y.(.010" US)(Incl. 46-46B)
45	34384	1	Connecting Rod Ass'y.(.020" US)(Incl. 46-46B)
46B	28264	2	Nut
46	32077	2	Connecting Rod Bolt
46A	26073	2	Washer
48	33472	2	Valve Lifter
50	34752	1	Camshaft (MCR)
60	33479	1	Blower Housing Extension
69	31956B	1	* Cylinder Cover Gasket
70	32685	1	Cylinder Cover (Incl. 15,38,72,75,88)
70A	32577	1	Cylinder Cover (See Ref. #'s 480-482)
72	31927	2	Oil Drain Plug
75	31950	1	Oil Seal
81	30590A	1	Washer
81A	650745	1	Washer
82	34751	1	Governor Gear Ass'y.
83	35322	1	Governor Spool
86A	792028	3	Screw, 5/16-18 x 7/8"
86	650588	1	Screw, 1/4-20 x 2"
87	650451	8	Screw, 1/4-20 x 1"
88	32426	1	Spacer
89	650592	1	Flywheel Key
90	610909	1	Flywheel (Incl. 90A)
90A	730201	1	Trigger Pin Kit
92	650666	1	Washer

Ref #	Part Number	Qty	Description
93	650594	1	Flywheel Nut
100	610906	1	Solid State Ignition
101A	610750	1	Grommet
101	610118	1	Spark Plug Cover
103	650661	2	Screw, 1/4-20 x 3/4"
108	29783	1	Crankshaft Pin
109	34692	1	Crankshaft Gear
119	34302A	1	* Cylinder Head Gasket
120	34767	1	Cylinder Head
121	730218	2	Valve Guide Kit (Incl. 2 of 122)
122	792035	2	Retaining Ring
125	33506	1	Exhaust Valve (Std.) (Incl. 151)
125	33646	1	Exhaust Valve (1/32" OS) (Incl. 151)
126	33505	1	Intake Valve (Std.) (Incl. 151)
126	33645	1	Intake Valve (1/32" OS) (Incl. 151)
127	650691	6	Washer
128	650690	6	Belleville Washer
129	650692	4	Screw, 5/16-18 x 1-3/4"
130	650746	2	Screw, 5/16-18 x 1-3/8"
135	35552	1	Resistor Spark Plug (RL82C)
141	33481	4	* "O" Ring (Also Incl. in 401)
142	35475	2	Push Rod Tube
143	34754	1	Rocker Arm Housing
144	33484	3	* "O" Ring (Also Incl. in 401)
145	650168	3	Washer
146	32610A	3	Screw, 1/4-20 x 29/32"
147	33509	1	* "O" Ring (Also Incl. in 401)
148	34410	1	* "O" Ring (Also Incl. in 401)
149	33510	2	Valve Spring Cap
150	33507	2	Valve Spring
151	33508	2	Valve Spring Keeper
154	650756	2	Rocker Arm Stud
155	33485	1	Rocker Arm
157	33486	2	Retaining Ring
158	33471	2	Push Rod
159	33487	1	* "O" Ring (Also Incl. in 401)
160	33488	1	Rocker Arm Housing
161	650755	1	Screw, 1/4-20 x 3/4"
162	650864	1	Nut, 1/4-20
169	31958A	1	* Valve Cover Gasket (Also Incl. in 401)
170	33489	1	Breather Body
173	33490	1	Breather Tube
174	30102	2	* Screw, 10-32 x 5/8" (Also Incl. in 40 1)
182	650378	2	Screw, Torx T-30, 5/16-18 x 1-1/8"
184	33476A	2	* Carburetor To Intake Pipe Gasket
185	33475	1	Intake Pipe
186	33478	1	Governor Link
200A	34403	1	Speed Control Assy
200B	34404	1	Control Bracket
203	33099	1	Compression Spring
204	650591	1	Screw, 10-24 x 2"
209	650561	1	Screw, 1/4-20 x 5/8"
209A	650641	1	Hex Nut, 9/16-18
210	27793	1	Conduit Clip
211	28942	1	Screw, 10-32 x 3/8"
212	31966	1	Bushing
213	650597	1	Screw, 10-24 x 5/8"
216	31984A	1	R.P.M. Adjusting Lever

Ref #	Part Number	Qty	Description
223	792028	2	Screw, 5/16-18 x 7/8"
238	650399	4	Screw, 10-32 x 5/8"
239	35471	1	* Air Cleaner Gasket
242	35473	1	Air Cleaner Bracket
245	32008	1	Air Cleaner Filter
250	34193	1	Air Cleaner Cover
251	650513	1	Wing Nut, 1/4-20
260	34195B	1	Blower Housing
261A	650751	1	Screw, 1/4-20 x 7/16"
261	650752	1	Screw, 1/4-20 x 7/16"
264	650736	2	Screw, 10-16 x 3/8"
265	33495	1	Cylinder Head Cover
275	32043B	1	Muffler
286	33776	1	Starter Screen
287A	650680	3	Screw, 1/4-20 x 1-1/2"
287	27070	3	Washer
305	32352	1	Oil Fill Tube
306	29673	1	* Oil Fill Tube Gasket
307	29985	1	"O" Ring
310	33068	1	Dipstick (Incl. 307)
319A	8274	1	Lock Washer
319B	650595	1	Screw, 5/16-24 x 3/8"
324	610908	1	Terminal
324A	610408	2	Nut, 8-32
355	590452	1	Starter Handle
361	650781	3	Screw, 5/16-18 x 11/16"
366A	32143	1	Muffler Nipple
367	650590	1	Nut
370	34346	1	Instruction Decal
370A	35532	1	Name Decal
370B	35274	1	Instruction Decal
380	632506	1	Carburetor (Incl. 184)
392	32046	1	Starter Rope
393	31980	1	Starter Rope Pulley
395	33835	1	Electric Starter Motor (12 Volt)
400	33516G	1	* Gasket Set (Incl. items marked PK in notes) Incl. part #'s 29673 (1), 30102 (2), 31950 (2), 31956B (1), 31958A (1), 31971 (2), 31972 (1), 32031 (1), 32599 (1), 33476A (2), 33481 (4), 33484 (3), 33487 (1), 33509 (1), 33515A (1), 34225A (1), 34302A (1), 34410 (1), 34641A (1), 35471 (1)
401	35075A	1	* "O" Ring Set (Also Incl. in 400) 30102 (2), 31958A (1), 33481(4), 33484 (3), 33487 (1), 33509 (1) 34410 (1)
409	31992	3	Spacer
420	730225	1	SAE 30 4-Cycle Engine Oil (Quart)
436	610965	1	Stator Plate Ass'y.
436B	650399	2	Screw, 10-32 x 5/8"
480	31971	2	* Shim Gasket (.004/.005) (See Repair Manual)
481	31972	1	* Shim Gasket (.005/.007) (See Repair Manual)
482	32031	1	* Steel Spacer (.010) (See Repair Manual)

(Page 2 of 2)

IMAGE FILE: ENOH120.2



Ref #	Part Number	Qty	Description
16B	31965	1	Governor Spring Plate
135	35552	1	Resistor Spark Plug (RL82C)
238	650399	4	Screw, 10-32 x 5/8"
239A	34197	1	Air Cleaner Gasket
245	32008	1	Air Cleaner Filter
248	34194A	1	Air Cleaner Tube
251	650513	1	Wing Nut, 1/4-20
261A	650751	1	Screw, 1/4-20 x 7/16"
274	33515A	1	* Exhaust Gasket
290	29774	1	Fuel Line
291	30962	1	Fuel Line (21.00")
292	26460	4	Fuel Line Clamp
293	35807	1	Fuel Pump (Incl. 294)
294	35791	1	Pulse Pump Repair Kit
295	29683	1	Fuel Shut-Off Valve
298	650488	1	Screw, 1/4-20 x 1-1/4"
298A	650456	1	Lock Nut, 1/4-20 x 1-1/4"
300	33979	1	Fuel Tank (Incl. 301)
301	33032	1	Fuel Cap
303A	29634	1	Fuel Line Fitting
314	650521	2	Screw, 10-32 x 1-1/8"
315	610902	1	Alternator Coil (20 Amp)(Incl. 322,32 3 & 323A)
319	30063	1	Screw, Torx T-30, 1/4-20 x 1/2"
320	610996	1	Regulator (Incl. 322A,322C,323B,323C, 323D & 323E)
322A	610921	1	Connector
322	611201	1	Connector
322C	611202	1	Connector
323D	610991	2	Terminal
323E	610992	1	Terminal
323A	610905	2	Terminal
323B	610922	1	Terminal
323	610904	1	Terminal
323C	610989	1	Terminal
330	34393	1	Alternator Adapter Cord Assy
341	33978	1	Fuel Tank Bracket
342A	650785	2	Screw, 5/16-18 x 5/8"
342B	650787	2	Belleville Washer
342	650786	2	Screw, 1/4-20 x 5/8"
355	590452	1	Starter Handle
368	33980	2	Fuel Tank Strap
436B	650399	2	Screw, 10-32 x 5/8"
500	730198	1	Electric Starter Switch Kit (Incl. 50 1-512)