

ILLUSTRATION SHOWS TYPICAL PARTS ONLY. ORDER BY PART NUMBER. PARTS NOT LISTED ARE SUPPLIED BY OEM.

VIEW 1 of 3



| Ref # | Part Number | Qty | Description |
|-------|-------------|-----|--|
| 1 | 33762B | | Cylinder (Incl. 2, 4 & 33) (3-5/16" B ore) |
| 2 | 31927 | | Pipe Plug, 3/8-18 sq. head (Use as re quired) |
| 2 | 28483 | | Pipe Plug (3/8-18 hex countersunk) (A s req.) |
| 2 | | | Pipe Plug (3/4-14 sq.hd.)(As req.)(Bu y local) |
| 2 | 9556 | | Pipe Plug (1/8-27 sq. hd.) (Use as re quired) |
| 2 | 28534 | | Pipe Plug(1/8-27 hex c/sunk headless) (As req) |
| 4 | 27652 | | Pin, Dowel |
| 5 | 34024A | | Crankshaft (Incl. 6 thru 9, 140 & 141) NOTE: When using this crankshaft to repair older units equippedwith straight cut cam and governor gears,it will be necessary to order 34751 helical governor gear assembly and 34752 helical camshaft in order to the complete the repair. |
| 6 | 29783 | | Pin, Crankshaft gear |
| 7 | 31931 | | Gear, Crankshaft (Straight) |
| 8 | 31932 | | Bearing, Tapered roller |
| 9 | 31928 | | Cup, Bearing |
| 11A | 32001C | | Piston & Pin Ass'y. (Std.)(3-5/16")(I ncl.12) |
| 11A | 32002B | | Piston & Pin Ass'y. (.010" OS) (Incl. 12) |
| 11A | 32003B | | Piston & Pin Ass'y. (.020" OS) (Incl. 12) |
| 11 | 34508 | | Piston, Pin & Ring Set (Std.) (3-5/16 " Bore) |
| 11 | 34509 | | Piston, Pin & Ring Set (.010" OS) |
| 11 | 34510 | | Piston, Pin & Ring Set (.020" OS) |
| 12 | 31919 | | Ring, Piston pin retaining |
| 13 | 32004 | | Ring Set (Std.) (3-5/16" Bore) |
| 13 | 32005 | | Ring Set (.010" OS) |
| 13 | 32006 | | Ring Set (.020" OS) |
| 14 | 33093A | | Connecting Rod Assy.(Std.)(Incl.15, 1 6 & 17) |
| 14 | 34383 | | Connecting Rod Assy.(.010" US)(Incl.1 5,16,17) |
| 14 | 34384 | | Connecting Rod Assy.(.020" US)(Incl.1 5,16.17) |
| 15 | 32077 | | Bolt, Connecting rod |
| 16 | 26073 | | Washer, Connecting rod |
| 17 | 28264 | | Nut Assy. |
| 18 | 33470 | | Camshaft (MCR) (Straight) |
| 19 | 33472 | | Lifter, Valve |
| 20 | 33471 | | Rod, Push |
| 21 | 33505 | | Intake Valve (Std.) |
| 21 | 33645 | | Intake Valve (1/32" OS) |
| 22 | 33506 | | Exhaust Valve (Std.) |
| 22 | 33646 | | Exhaust Valve (1/32" OS) |
| 23 | 33507 | | Spring, Valve |
| 24 | 33508 | | Retainer & Cap Set, Keeper valve |
| 25 | 33509 | | * "O" Ring (Intake only) (Also Incl. in 251) |
| 25A | 34410 | | * "O" Ring (Exhaust only) (Also Incl. i n 251) |
| 26 | 33510 | | Cap, Valve |
| 27 | 33473 | | Governor Gear & Shaft Ass'y. (Straigh t) |
| 28 | 650745 | | Washer, Flat |
| 29 | 35479 | | Washer, Flat (Use with 35322 spool) |
| 29 | 30590A | | Washer, Flat |
| 30 | 31948 | | Spool, Governor |
| 31 | 31956B | | * Gasket, Cylinder cover |
| 32 | 34002A | | Cylinder Cover Ass'y. (Incl. 2, 33 & 134) |
| 33 | 31950 | | * Seal, Oil |
| 34 | 650451 | | Screw, 1/4-20 x 1" |
| 35 | 650492 | | Screw, 1/4-20 x 2-1/4" |
| 36 | 32425 | | Rod Assy., Governor |
| 37 | 32426 | | Spacer, Governor rod |
| 38 | 29193 | | Ring, Retaining |

| Ref # | Part Number | Qty | Description |
|-------|-------------|-----|---|
| 39 | 650736 | | Screw, 10-16 x 3/8" |
| 40 | 33495 | | Cover, Cylinder head |
| 41 | 34225A | | * Gasket, Cylinder head |
| 42 | 33763 | | Head, Cylinder |
| 45 | 33657 | | Spark Plug (L-82C) |
| 46A | 650691 | | Washer, Flat |
| 46 | 650690 | | Washer, Belleville |
| 47 | 650692 | | Screw, 5/16-18 x 1-3/4" |
| 47A | 650746 | | Screw, 5/16-18 x 1-3/8" |
| 48 | 730218 | | Valve Guide Kit (Incl. 49) |
| 49 | 792035 | | Ring, Retaining |
| 50 | 33515A | | * Gasket, Intake pipe |
| 51 | 33475 | | Pipe, Intake |
| 52 | 650378 | | Screw, Torx T-30, 5/16-18 x 1-1/8" |
| 53 | 792028 | | Screw, 5/16-18 x 7/8" |
| 54 | 33476A | | * Gasket, Carburetor |
| 55 | 33477A | | Baffle, Air cleaner |
| 56 | 792075 | | Nut, Lock 5/16-24 (Used in early production) |
| 57 | 33478 | | Link, Governor lever-to-throttle lever |
| 58 | 31963 | | Lever, Governor |
| 59 | 31964 | | Clamp, Governor lever |
| 60 | 650518 | | Lockwasher, No. 10 E.T. |
| 61 | 30312 | | Screw, 10-32 x 1/2" |
| 62 | 650544 | | Screw, Torx T-25, 10-24 x 7/8" |
| 63 | 7975 | | Nut, 10-24 |
| 64 | 31965 | | Plate, Governor spring |
| 65 | 31984A | | Lever Assy., Control |
| 66 | 28558 | | Washer, Wave |
| 67 | 31966 | | Bushing, Governor lever |
| 68 | 650597 | | Screw, 10-24 x 5/8" |
| 69 | 31967 | | Spring, Governor |
| 70 | 650591 | | Screw, 10-24 x 2" |
| 71 | 33099 | | Spring |
| 72 | 32599 | | "O" Ring (Incl. in 251) |
| 73 | 650666 | | Washer, Lock |
| 74 | 32579 | | Baffle, Blower housing |
| 75 | 650561 | | Screw, 1/4-20 x 5/8" |
| 76 | 650592 | | Key, Flywheel |
| 77A | 730201 | | Trigger Pin Kit (Use as required) |
| 77 | 610909 | | Flywheel |
| 78 | 650594 | | Nut, Flywheel |
| 79 | 610906 | | Solid State Magneto (Incl. 158 thru 1 61) |
| 80 | 650661 | | Screw, 1/4-20 x 3/4" |
| 81 | 33479 | | Extension, Blower housing |
| 82 | 30063 | | Screw, 1/4-20 x 1/2" |
| 83 | 650751 | | Screw, 1/4-20 x 7/16" |
| 84 | 33775A | | Blower Hsg.(Incl.218A,219)(For elec.s tarter) |
| 85A | 8274 | | Washer, Lock |
| 85 | 8274 | | Washer, Lock |
| 86 | 650595 | | Screw, 5/16-24 x 3/8" |
| 86A | 650595 | | Screw, 5/16-24 x 3/8" |
| 87 | 650752 | | Screw, 1/4-20 x 7/16" |
| 88 | 35475 | | Tube, Push rod |
| 89 | 33481 | | * "O" Ring (Also Incl. in 251) |
| 90 | 34754 | | Housing, Rocker arm |
| 94 | 33484 | | * "O" Ring (Also Incl. in 251) |
| 95 | 650168 | | Washer, Flat |
| 96 | 32610A | | Screw, 1/4-20 x 29/32" |

| Ref # | Part Number | Qty | Description |
|-------|-------------|-----|---|
| 97 | 33485 | | Arm, Rocker |
| 98 | 33486 | | Ring, Retaining |
| 99 | 650755 | | Screw, 1/4-20 x 3/4" |
| 100 | 650864 | | Nut, Hex, 1/4-20 |
| 101 | 650756 | | Stud, Rocker arm |
| 102 | 33487 | | * "O" Ring (Also Incl. in 251) |
| 103 | 33488 | | Cover, Rocker arm |
| 104 | 31958A | | * Gasket, Breather (Also Incl. in 251) |
| 105 | 33489 | | Body Assy., Breather |
| 106A | 32776 | | Tube, Breather |
| 106 | 33490 | | Tube, Breather |
| 107 | 30102 | | * Screw, 10-32 x 5/8" (Also Incl. in 25 1) |
| 108 | 650738 | | Screw, 1/4-20 x 5/8" |
| 111 | 35471 | | * Gasket, Air cleaner |
| 112 | 35472 | | Bracket, Air cleaner |
| 114 | 650399 | | Screw, 10-32 x 5/8" |
| 115 | 32008 | | Element, Air cleaner |
| 116A | 32810 | | Cover, Air cleaner |
| 117 | 650513 | | Nut, Wing |
| 118 | 650675 | | Washer, Flat |
| 119 | 32426 | | Spacer, Screen |
| 120 | 33776 | | Screen, Pulley |
| 122 | 650670 | | Screw, 1/4-20 x 3/4" |
| 123 | 27070 | | Washer, Lock |
| 137 | 650744 | | Screw, 10-24 x 7/8" |
| 138 | 33467 | | Tube extension, Oil fill |
| 146 | 32577 | | Cover, Cylinder NOTE: Determine the gap between the cover and the machined surface on the cylinder, which can be from .001" up to .007", in which case no shim gaskets will be required. Use of gaskets must be limited to a combined total of .010" thick. Steel spacers must be used as required to eli |
| 147 | 792028 | | Screw, 5/16-18 x 7/8" |
| 155 | 31971 | | * Gasket, Shim (.004/.005 thick) NOTE: Determine the gap between the cover and the machined surface on the cylinder, which can be from .001" up to .007", in which case no shim gaskets will be required. Use of gaskets must be limited to a combined total of .010" thick. Steel spacers must be used a |
| 156 | 31972 | | * Gasket, Shim (.005/.007 thick) NOTE: Determine the gap between the cover and the machined surface on the cylinder, which can be from .001" up to .007", in which case no shim gaskets will be required. Use of gaskets must be limited to a combined total of .010" thick. Steel spacers must be used a |
| 157 | 32031 | | * Spacer, Steel (.010 thick) NOTE: Determine the gap between the cover and the machined surface on the cylinder, which can be from .001" up to .007", in which case no shim gaskets will be required. Use of gaskets must be limited to a combined total of .010" thick. Steel spacers must be used as re |
| 158 | 610118 | | Cover, Spark plug |
| 159 | 610750 | | Grommet, Lead wire |
| 160 | 610408 | | Nut, 8-32 |
| 161 | 610908 | | Terminal, Female |
| 169A | 27793 | | Clip, Conduit |
| 170 | 28942 | | Screw, 10-32 x 3/8" |

| Ref # | Part Number | Qty | Description |
|-------|-------------|-----|--|
| 189 | 33984A | | Dipstick (Incl. 190) |
| 190 | 33590 | | "O" Ring |
| 191 | 33893A | | Tube, Oil filler |
| 244B | 31752 | | Decal, Air cleaner |
| 244 | 34346 | | Decal, Instruction |
| 244A | 550223 | | Decal, Name |
| 246 | 631687 | | Valve, Seat & Spring Assy. |
| 247 | 631857 | | Carburetor (Incl. 54 & 246) (Refer to Division 5, Section A, page 124 for breakdown) |
| 250 | 33516G | | * Gasket Set (Incl. items marked *) |
| 251 | 35075 | | "O" Ring Kit (Incl. Nos. items marked +) |

ILLUSTRATION SHOWS TYPICAL PARTS ONLY. ORDER BY PART NUMBER. PARTS NOT LISTED ARE SUPPLIED BY OEM.

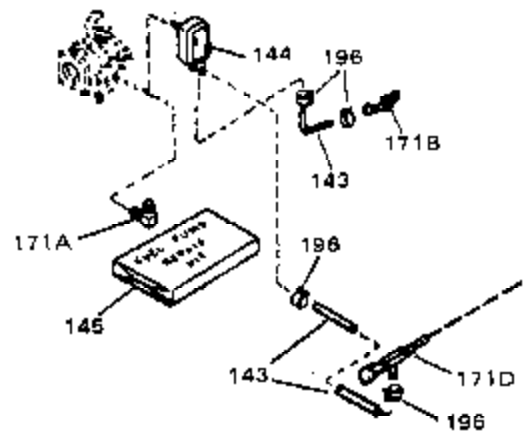
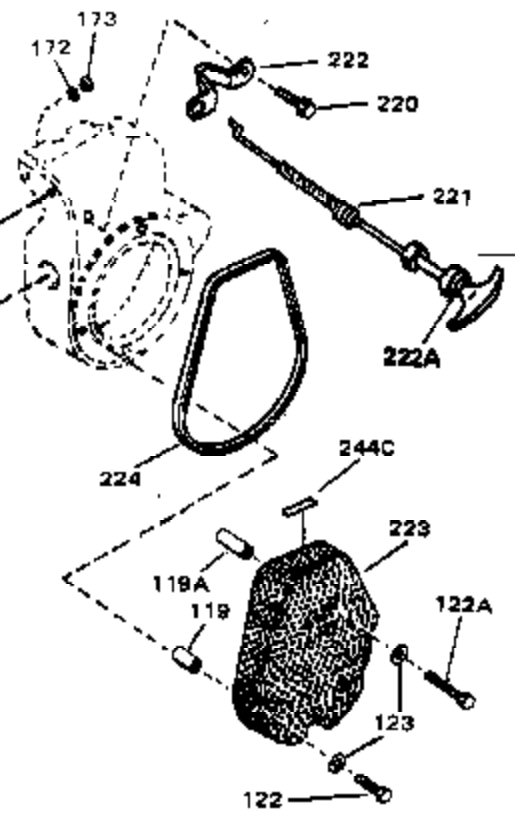
VIEW 2 of 3



| Ref # | Part Number | Qty | Description |
|-------|-------------|-----|---|
| | 39 650736 | | Screw, 10-16 x 3/8" |
| | 82 30063 | | Screw, 1/4-20 x 1/2" |
| | 126A 35731 | | Muffler (Incl. 126B) |
| | 132 33964 | | Counterbalance Weight Ass'y. (Helical teeth) (Incl. 2 of 133) |
| | 133 33501 | | Bearing, Needle |
| | 134 33502 | | Shaft, Counterbalance |
| | 135 33503 | | Washer, Thrust |
| | 136 792017 | | Ring, Retaining |
| | 140 33499 | | Spacer |
| | 141 33963 | | Gear, Counterbalance weight (Helical teeth) |
| | 141 | | Gear, Counterbalance weight (Straight teeth) (For replacement see Ref. 132. Order correct kit for your enginemodel number.) |
| | 148 610902 | | Alt.Coil Ass'y. (Incl.162,163,163A) (20 amp) |
| | 149 650521 | | Screw, 10-32 x 1-1/8" |
| | 153 792028 | | Screw, 5/16-18 x 7/8"(Use w/32817 str .motor) |
| | 153 650781 | | Screw,5/16-18 x 11/16"(Use w/33835 st r.motor) |
| | 162A 610903 | | Connector, Flat |
| | 163A 610905 | | Terminal |
| | 163 610904 | | Terminal |
| | 209 730178 | | Ech.Adapter Kit (Incl.210 & 211)(As r equired) |
| | 210 34102B | | Gasket, Exhaust (Use as required) |
| | 211 30196 | | Screw, 5/16-18 x 3/4" (Use as require d) |
| | 218A 650736 | | Screw, 10-16 x 3/8" |
| | 219 34276 | | Cover plate, Blower housing |
| | 238 730212 | | Adapter Plate Kit (Optional) NOTE: If you are having mounting problems in using a HH100 thruOH180 in place of a large frame competitivebrand, we would like to call your attention to 730212 adapter plate kit. The kit converts the bottom mounting system found on HH100 thru OH180 to a top mounting sys |
| | 249 33835 | | Electric Starter Motor (12-Volt) (Refer to Division 5, Section D for breakdown) |

ILLUSTRATION SHOWS TYPICAL PARTS ONLY. ORDER BY PART NUMBER. PARTS NOT LISTED ARE SUPPLIED BY OEM.

VIEW 3 of 3



| Ref # | Part Number | Qty | Description |
|-------|-------------|-----|---|
| | 114 650399 | | Screw, 10-32 x 5/8" |
| | 115 32008 | | Element, Air cleaner |
| | 117 650513 | | Nut, Wing |
| | 119 32426 | | Spacer, Screen |
| | 122 650670 | | Screw, 1/4-20 x 3/4" |
| | 123 27070 | | Washer, Lock |
| | 143 29774 | | Fuel Line (Braided 8.25")(21 cm)(As r equired) |
| | 143 30705 | | Fuel Line (Braided 16")(41 cm)(As req uired) |
| | 143 30962 | | Fuel Line (Braided 32")(81 cm)(As req uired) |
| | 171A 28566 | | Fitting, Fuel line |
| | 178 410144B | | Fuel Cap (White Plastic)(Std)(As requ ired) |
| | 178 34210 | | Fuel Cap (Red Plastic) (Spurt resistant, High profile) (Use as required) |
| | 196 26460 | | Clamp, Fuel line (Use as required) |
| | 245 730134 | | Rewind Starter Kit (Incl.120A, 121, 122, 187, 188 & 248) (Use as required) |