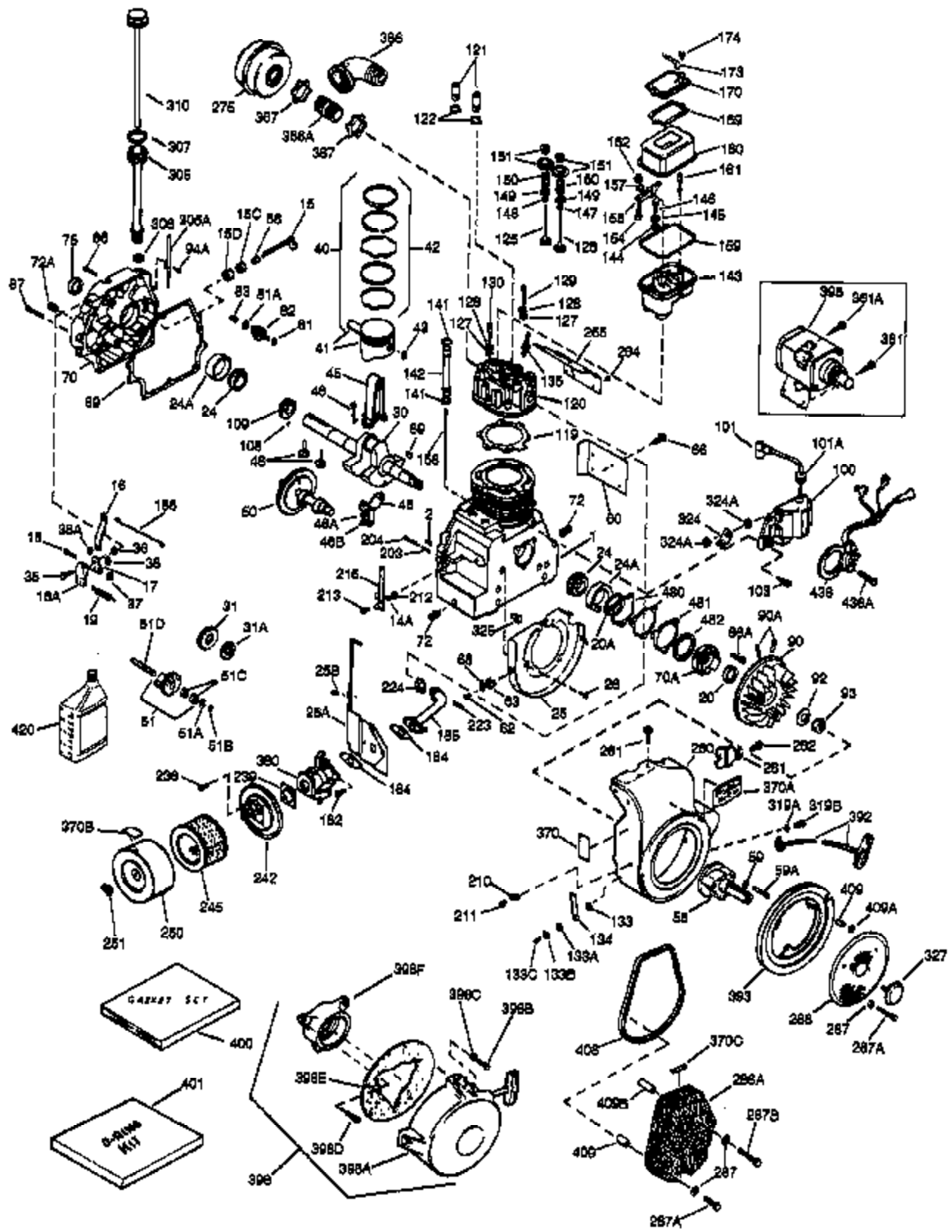


(Page 1 of 2)

IMAGE FILE: ENOH140.2



Ref #	Part Number	Qty	Description
1	33823A	1	Cylinder (Incl. 2, 20 & 72)
2	27652	2	Dowel Pin
14A	28558	1	Washer
15	32425	1	Governor Rod
16	31963	1	Governor Lever
16A	31965	1	Governor Spring Plate
17	31964	1	Governor Lever Clamp
18	650544	1	Screw, Torx T-25, 10-24 x 7/8"
19	31967	1	Extension Spring
20	31950	1	* Oil Seal
20A	32599	1	* "O" Ring
24A	31928	2	Bearing Cup
24	31932	2	Tapered Roller Bearing
25	32579	1	Blower Housing Baffle
25B	651031	1	Screw, 1/4-20 x 9/16"
25A	33477A	1	Air Baffle
26	650561	3	Screw, 1/4-20 x 5/8"
30	33821B	1	Crankshaft
31	33963	1	Counterbalance Gear
31A	33499	1	Spacer
35	30312	1	Screw, 10-32 x 1/2"
37	7975	1	Lock Nut, 10-24
38A	650518	1	Washer
38	29193	1	Retaining Ring
40	34508	1	Piston, Pin & Ring Set (Std.)
40	34509	1	Piston, Pin & Ring Set (.010" OS)
40	34510	1	Piston, Pin & Ring Set (.020" OS)
41	32001C	1	Piston & Pin Ass'y. (Std.) (Incl. 43)
41	32002B	1	Piston & Pin Ass'y. (.010" OS) (Incl. 43)
41	32003B	1	Piston & Pin Ass'y. (.020" OS) (Incl. 43)
42	32004	1	Ring Set (Std.)
42	32005	1	Ring Set (.010" OS)
42	32006	1	Ring Set (.020" OS)
43	31919	2	Piston Pin Retaining Ring
45	33093A	1	Connecting Rod Ass'y. (Incl.46 - 46B)
45	34383	1	Connecting Rod Ass'y.(.010" US)(Incl. 46-46B)
45	34384	1	Connecting Rod Ass'y.(.020" US)(Incl. 46-46B)
46	32077	2	Connecting Rod Bolt
46B	28264	2	Nut
46A	26073	2	Washer
48	33472	2	Valve Lifter
50	34752	1	Camshaft (MCR)
51A	33503	4	Washer
51	34811	2	Counterbalance Weight
51D	33502	2	Counterbalance Shaft
51C	33501	4	Needle Bearing
51B	792017	2	Retaining Ring
55	32252	1	Flywheel Extension Shaft
59A	792051	3	Screw, 1/4-20 x 1-3/4"
59	27513	3	Lock Washer, 1/4-5/64 x 1/16"
60	33479	1	Blower Housing Baffle
66	30063	2	Screw, Torx T-30, 1/4-20 x 1/2"
69	31956B	1	* Cylinder Cover Gasket
70A	32577	1	Cylinder Cover (See Ref. #'s 480-482)
70	34649	1	Cylinder Cover (Incl.51D,72,72A & 75)
72A	28534	2	Oil Drain Plug
72	31927	2	Oil Drain Plug
75	31950	1	Oil Seal

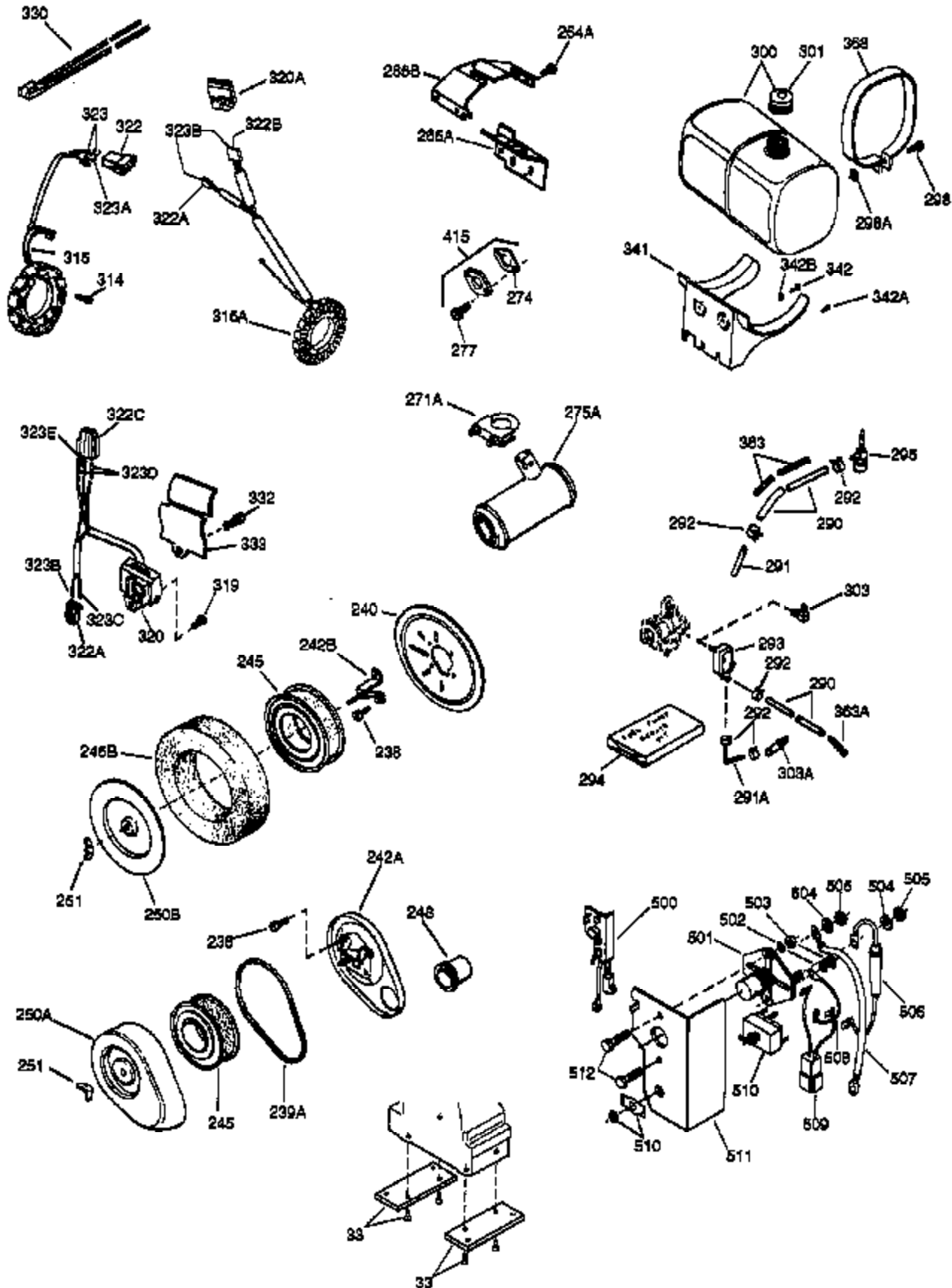
Ref #	Part Number	Qty	Description
81A	650745	1	Washer
81	30590A	1	Washer
82	34751	1	Governor Gear Ass'y.
83	35322	1	Governor Spool
86	650492	1	Screw, 1/4-20 x 2-1/4"
86A	792028	3	Screw, 5/16-18 x 7/8"
87	650451	8	Screw, 1/4-20 x 1"
88	32426	1	Spacer
89	650592	1	Flywheel Key
90	610909	1	Flywheel (W/Ring Gear) (Incl. 90A)
90A	730201	1	Trigger Pin Kit
92	650615	1	Washer
93	650616	1	Nut
94A	650744	1	Screw, 10-24 x 7/8"
100	610906	1	Solid State Ignition
101	610118	1	Spark Plug Cover
101A	610750	1	Grommet
103	650661	2	Screw, 1/4-20 x 3/4"
108	29783	2	Crankshaft Pin
109	34692	1	Crankshaft Gear
119	34225A	1	* Cylinder Head Gasket
120	34775	1	Cylinder Head
121	730218	2	Valve Guide Kit (Incl. 2 of 122)
122	792035	2	Retaining Ring
125	33506	1	Exhaust Valve (Std.) (Incl. 151)
125	33646	1	Exhaust Valve (1/32" OS) (Incl. 151)
126	33505	1	Intake Valve (Std.) (Incl. 151)
126	33645	1	Intake Valve (1/32" OS) (Incl. 151)
127	650691	6	Washer
128	650690	6	Belleville Washer
129	650692	4	Screw, 5/16-18 x 1-3/4"
130	650746	2	Screw, 5/16-18 x 1-3/8"
133C	650595	1	Screw, 5/16-24 x 3/8"
133B	8274	1	Washer
135	33657	1	Resistor Spark Plug (RL82C)
141	33481	4	* "O" Ring (Also Incl. in 401)
142	35475	2	Push Rod Tube
143	34754	1	Rocker Arm Housing
144	33484	3	* "O" Ring (Also Incl. in 401)
145	650168	3	Washer
146	32610A	3	Screw, 1/4-20 x 29/32"
147	33509	1	* "O" Ring (Also Incl. in 401)
148	34410	1	* "O" Ring (Also Incl. in 401)
149	33510	2	Valve Spring Cap
150	33507	2	Valve Spring
151	33508	2	Valve Spring Keeper
154	650755	1	Screw, 1/4-20 x 3/4"
155	33485	1	Rocker Arm
157	33486	2	Retaining Ring
158	33471	2	Push Rod
159	33487	1	* "O" Ring (Also Incl. in 401)
160	33488	1	Rocker Arm Housing
161	650756	2	Rocker Arm Stud
162	650864	1	Nut, 1/4-20
169	31958A	1	* Valve Cover Gasket (Also Incl. in 401)
170	33489	1	Breather Body
173	33490	1	Breather Tube
174	30102	2	* Screw, 10-32 x 5/8" (Also Incl. in 40 1)

Ref #	Part Number	Qty	Description
182	650378	2	Screw, Torx T-30, 5/16-18 x 1-1/8"
184	33476A	2	* Carburetor To Intake Pipe Gasket
185	33475	1	Intake Pipe
186	33478	1	Governor Link
203	33099	1	Compression Spring
204	650591	1	Screw, 10-24 x 2"
210	27793	1	Conduit Clip
210	27793	1	Conduit Clip
211	28942	1	Screw, 10-32 x 3/8"
211	28942	1	Screw, 10-32 x 3/8"
212	31966	1	Bushing
213	650597	1	Screw, 10-24 x 5/8"
216	33054	1	R.P.M. Adjusting Lever
223	650971	2	Screw, Torx T-30, 5/16-18 x 7/8"
238	650399	4	Screw, 10-32 x 5/8"
239	35471	1	* Air Cleaner Gasket
242	35472	1	Air Cleaner Bracket
245	32008	1	Air Cleaner Filter
250	32810	1	Air Cleaner Cover
251	650513	1	Wing Nut, 1/4-20
260	34314B	1	Blower Housing
261A	650751	1	Screw, 1/4-20 x 7/16"
265	33495	1	Cylinder Head Cover
269	33515A	1	* Exhaust Gasket
286	32953	1	Starter Screen
287	27070	3	Washer
287A	650670	3	Screw, 1/4-20 x 1-1/2"
305a	34650	1	Oil Fill Tube
305	33468	1	Oil Fill Tube
306	29673	1	Oil Fill Tube Gasket
307	29985	1	"O" Ring
310	33764	1	Oil Fill Tube (Incl. 307)
319A	8274	1	Lock Washer
319B	650595	1	Screw, 5/16-24 x 3/8"
324A	610408	2	Nut, 8-32
324	610908	1	Terminal
361	650781	2	Screw, 5/16-18 x 11/16"
361A	650797	1	Screw, 5/16-18 x 1/2"
366A	32808	1	Muffler Nipple
367	650590	1	Nut
370b	35274	1	Oil Instruction Decal
370	36261	1	Instruction Decal
370A	35532	1	Name Decal
380	632485	1	Carburetor (Incl. 184)
395	33835	1	Electric Starter Motor (12 Volt)
395	33835	1	Electric Starter Motor (12 Volt)
400	33516G	1	* Gasket Set (Incl. items marked PK in notes) Incl. part #'s 29673 (1), 30102 (2), 31950 (2), 31956B (1), 31958A (1), 31971 (2), 31972 (1), 32031 (1), 32599 (1), 33476A (2), 33481 (4), 33484 (3), 33487 (1), 33509 (1), 33515A (1), 34225A (1), 34302A (1), 34410 (1), 34641A (1), 35471 (1)
401	35075A	1	* "O" Ring Set (Also Incl. in 400) 30102 (2), 31958A (1), 33481(4), 33484 (3), 33487 (1), 33509 (1), 34410 (1)
409A	650675	3	Washer
409	32426	3	Spacer
420	730225	1	SAE 30 4-Cycle Engine Oil (Quart)
480	31971	2	* Shim Gasket (.004/.005) (See Repair Manual)

Ref #	Part Number	Qty	Description
481	31972	1	* Shim Gasket (.005/.007) (See Repair Manual)
482	32031	1	* Steel Spacer (.010) (See Repair Manual)

(Page 2 of 2)

IMAGE FILE: ENOH140.2



Ref #	Part Number	Qty	Description
238	650399	4	Screw, 10-32 x 5/8"
245	32008	1	Air Cleaner Filter
251	650513	1	Wing Nut, 1/4-20
261A	650751	1	Screw, 1/4-20 x 7/16"
269	33515A	1	* Exhaust Gasket
290	30962	1	Fuel Line (29.00")
292	26460	2	Fuel Line Clamp
303	28566	1	Fuel Fitting
305a	34650	1	Oil Fill Tube
314	650521	2	Screw, 10-32 x 1-1/8"
315	611214	1	Alternator Coil (20 Amp)(Incl. 322 - 323)
319	651026	1	Screw, 1/4-20 x 1/2"
320	611215	1	Regulator (20 Amp)
322A	610921	1	Connector Body
322	610824	1	Connector Body
323	610922	1	Terminal
370b	35274	1	Oil Instruction Decal