

ILLUSTRATION SHOWS TYPICAL PARTS ONLY. ORDER BY PART NUMBER. PARTS NOT LISTED ARE SUPPLIED BY OEM.

VIEW 1 of 3



| Ref # | Part Number | Qty | Description  |
|-------|-------------|-----|--|
| 1     | 34305       |     | Cylinder (Incl. 2, 4 & 33) (3-1/2" Bo re)  |
| 2     | 31927       |     | Pipe Plug, 3/8-18 sq. head (Use as re quired)  |
| 2     | 28483       |     | Pipe Plug (3/8-18 hex countersunk) (A s req.)  |
| 2     |             |     | Pipe Plug (3/4-14 sq.hd.)(As req.)(Bu y local)   |
| 2     | 9556        |     | Pipe Plug (1/8-27 sq. hd.) (Use as re quired)  |
| 2     | 28534       |     | Pipe Plug(1/8-27 hex c/sunk headless) (As req)   |
| 4     | 27652       |     | Pin, Dowel   |
| 5     | 33497C      |     | Crankshaft (Incl. 6 thru 9, 140 & 141 ) NOTE: When using this crankshaft to repair older units equippedwith straight cut cam and governor gears,it will be necessary to order 34751 helical governor gear assembly and 34752 helical camshaft in order to the complete the repair. |
| 6     | 29783       |     | Pin, Crankshaft gear   |
| 7     | 34692       |     | Gear Crankshaft (Helical)  |
| 8     | 31932       |     | Bearing, Tapered roller  |
| 9     | 31928       |     | Cup, Bearing   |
| 11A   | 32238B      |     | Piston & Pin Ass'y. (Std.)(3-1/2")(In cl.12)   |
| 11A   | 32239B      |     | Piston & Pin Ass'y. (.010" OS) (Incl. 12)  |
| 11A   | 32240B      |     | Piston & Pin Ass'y. (.020 " OS) (Incl . 12)  |
| 11    | 34511       |     | Piston, Pin & Ring Set (Std.) (3-1/2" Bore)  |
| 11    | 34512       |     | Piston, Pin & Ring Set (.010" OS)  |
| 11    | 34513       |     | Piston, Pin & Ring Set (.020" OS)  |
| 12    | 31919       |     | Ring, Piston pin retaining   |
| 13    | 32241       |     | Ring Set (Std.) (3-1/2" Bore)  |
| 13    | 32242       |     | Ring Set (.010" OS)  |
| 13    | 32243       |     | Ring Set (.020" OS)  |
| 14    | 33093A      |     | Connecting Rod Assy.(Std.)(Incl.15, 1 6 & 17)  |
| 14    | 34383       |     | Connecting Rod Assy.(.010" US)(Incl.1 5,16,17)   |
| 14    | 34384       |     | Connecting Rod Assy.(.020" US)(Incl.1 5,16.17)   |
| 15    | 32077       |     | Bolt, Connecting rod   |
| 16    | 26073       |     | Washer, Connecting rod   |
| 17    | 28264       |     | Nut Assy.  |
| 18    | 33470       |     | Camshaft (MCR) (Straight)  |
| 19    | 33472       |     | Lifter, Valve  |
| 20    | 33471       |     | Rod, Push  |
| 21    | 33505       |     | Intake Valve (Std.)  |
| 21    | 33645       |     | Intake Valve (1/32" OS)  |
| 22    | 33506       |     | Exhaust Valve (Std.)   |
| 22    | 33646       |     | Exhaust Valve (1/32" OS)   |
| 23    | 33507       |     | Spring, Valve  |
| 24    | 33508       |     | Retainer & Cap Set, Keeper valve   |
| 25    | 33509       |     | * "O" Ring (Intake only) (Also Incl. in 251)   |
| 25A   | 34410       |     | * "O" Ring (Exhaust only) (Also Incl. i n 251)   |
| 26    | 33510       |     | Cap, Valve   |
| 27    | 33473       |     | Governor Gear & Shaft Ass'y. (Straigh t)   |
| 28    | 650745      |     | Washer, Flat   |
| 29    | 35479       |     | Washer, Flat (Use with 35322 spool)  |
| 29    | 30590A      |     | Washer, Flat   |
| 30    | 31948       |     | Spool, Governor  |
| 31    | 31956B      |     | * Gasket, Cylinder cover   |
| 32    | 34307       |     | Cover Assy., Cylinder (Incl. 33 & 204 )  |
| 33    | 31950       |     | * Seal, Oil  |
| 34    | 650451      |     | Screw, 1/4-20 x 1"   |
| 35    | 650492      |     | Screw, 1/4-20 x 2-1/4"   |
| 36    | 32425       |     | Rod Assy., Governor  |
| 37    | 32426       |     | Spacer, Governor rod   |
| 38    | 29193       |     | Ring, Retaining  |

| Ref # | Part Number | Qty | Description                                  |
|-------|-------------|-----|--|
| 39    | 650736      |     | Screw, 10-16 x 3/8"                          |
| 40    | 33495       |     | Cover, Cylinder head                         |
| 41    | 34225A      |     | * Gasket, Cylinder head                      |
| 42    | 34753       |     | Head, Cylinder                               |
| 45    | 35552       |     | Spark Plug (RL-82C)                          |
| 46A   | 650691      |     | Washer, Flat                                 |
| 46    | 650690      |     | Washer, Belleville                           |
| 47    | 650692      |     | Screw, 5/16-18 x 1-3/4"                      |
| 47A   | 650746      |     | Screw, 5/16-18 x 1-3/8"                      |
| 48    | 730218      |     | Valve Guide Kit (Incl. 49)                   |
| 49    | 792035      |     | Ring, Retaining                              |
| 50    | 33515A      |     | * Gasket, Intake pipe                        |
| 51    | 33475       |     | Pipe, Intake                                 |
| 52    | 650378      |     | Screw, Torx T-30, 5/16-18 x 1-1/8"           |
| 53    | 792028      |     | Screw, 5/16-18 x 7/8"                        |
| 54    | 33476A      |     | * Gasket, Carburetor                         |
| 55    | 33477A      |     | Baffle, Air cleaner                          |
| 56    | 792075      |     | Nut, Lock 5/16-24 (Used in early production) |
| 57    | 33478       |     | Link, Governor lever-to-throttle lever       |
| 58    | 31963       |     | Lever, Governor                              |
| 59    | 31964       |     | Clamp, Governor lever                        |
| 60    | 650518      |     | Lockwasher, No. 10 E.T.                      |
| 61    | 30312       |     | Screw, 10-32 x 1/2"                          |
| 62    | 650544      |     | Screw, Torx T-25, 10-24 x 7/8"               |
| 63    | 7975        |     | Nut, 10-24                                   |
| 64    | 31965       |     | Plate, Governor spring                       |
| 65    | 34306       |     | Lever Assy., Control                         |
| 66    | 28558       |     | Washer, Wave                                 |
| 67    | 31966       |     | Bushing, Governor lever                      |
| 68    | 650597      |     | Screw, 10-24 x 5/8"                          |
| 69    | 33982       |     | Spring, Governor                             |
| 70    | 650591      |     | Screw, 10-24 x 2"                            |
| 71    | 33099       |     | Spring                                       |
| 72    | 32599       |     | "O" Ring (Incl. in 251)                      |
| 73    | 650666      |     | Washer, Lock                                 |
| 74    | 32579       |     | Baffle, Blower housing                       |
| 75    | 650561      |     | Screw, 1/4-20 x 5/8"                         |
| 76    | 650592      |     | Key, Flywheel                                |
| 77A   | 730201      |     | Trigger Pin Kit (Use as required)            |
| 77    | 610909      |     | Flywheel                                     |
| 78    | 650594      |     | Nut, Flywheel                                |
| 79    | 610906      |     | Solid State Magneto (Incl. 158 thru 1 61)    |
| 80    | 650661      |     | Screw, 1/4-20 x 3/4"                         |
| 81    | 33479       |     | Extension, Blower housing                    |
| 82    | 30063       |     | Screw, 1/4-20 x 1/2"                         |
| 83    | 650751      |     | Screw, 1/4-20 x 7/16"                        |
| 84    | 34195B      |     | Blower Hsg.(Incl.218,219)(For elec.starter)  |
| 85A   | 8274        |     | Washer, Lock                                 |
| 85    | 8274        |     | Washer, Lock                                 |
| 86A   | 650595      |     | Screw, 5/16-24 x 3/8"                        |
| 86    | 650595      |     | Screw, 5/16-24 x 3/8"                        |
| 87    | 650752      |     | Screw, 1/4-20 x 7/16"                        |
| 88    | 35475       |     | Tube, Push rod                               |
| 89    | 33481       |     | * "O" Ring (Also Incl. in 251)               |
| 90    | 34754       |     | Housing, Rocker arm                          |
| 94    | 33484       |     | * "O" Ring (Also Incl. in 251)               |
| 95    | 650168      |     | Washer, Flat                                 |
| 96    | 32610A      |     | Screw, 1/4-20 x 29/32"                       |

| Ref # | Part Number | Qty | Description   |
|-------|-------------|-----|---|
| 97    | 33485       |     | Arm, Rocker   |
| 98    | 33486       |     | Ring, Retaining   |
| 99    | 650755      |     | Screw, 1/4-20 x 3/4"  |
| 100   | 650864      |     | Nut, Hex, 1/4-20  |
| 101   | 650756      |     | Stud, Rocker arm  |
| 102   | 33487       |     | * "O" Ring (Also Incl. in 251)  |
| 103   | 33488       |     | Cover, Rocker arm   |
| 104   | 31958A      |     | * Gasket, Breather (Also Incl. in 251)  |
| 105   | 33489       |     | Body Assy., Breather  |
| 106   | 33490       |     | Tube, Breather  |
| 107   | 30102       |     | * Screw, 10-32 x 5/8" (Also Incl. in 25 1)  |
| 108   | 650738      |     | Screw, 1/4-20 x 5/8"  |
| 111   | 35471       |     | * Gasket, Air cleaner   |
| 114   | 650399      |     | Screw, 10-32 x 5/8"   |
| 115   | 32008       |     | Element, Air cleaner  |
| 117   | 650513      |     | Nut, Wing   |
| 146   | 32577       |     | Cover, Cylinder NOTE: Determine the gap between the cover and the machined surface on the cylinder, which can be from .001" up to .007", in which case no shim gaskets will be required. Use of gaskets must be limited to a combined total of .010" thick. Steel spacers must be used as required to eli |
| 147   | 792028      |     | Screw, 5/16-18 x 7/8"   |
| 155   | 31971       |     | * Gasket, Shim (.004/.005 thick) NOTE: Determine the gap between the cover and the machined surface on the cylinder, which can be from .001" up to .007", in which case no shim gaskets will be required. Use of gaskets must be limited to a combined total of .010" thick. Steel spacers must be used a |
| 156   | 31972       |     | * Gasket, Shim (.005/.007 thick) NOTE: Determine the gap between the cover and the machined surface on the cylinder, which can be from .001" up to .007", in which case no shim gaskets will be required. Use of gaskets must be limited to a combined total of .010" thick. Steel spacers must be used a |
| 157   | 32031       |     | * Spacer, Steel (.010 thick) NOTE: Determine the gap between the cover and the machined surface on the cylinder, which can be from .001" up to .007", in which case no shim gaskets will be required. Use of gaskets must be limited to a combined total of .010" thick. Steel spacers must be used as re |
| 158   | 610118      |     | Cover, Spark plug   |
| 159   | 610750      |     | Grommet, Lead wire  |
| 160   | 610408      |     | Nut, 8-32   |
| 161   | 610908      |     | Terminal, Female  |
| 169A  | 27793       |     | Clip, Conduit   |
| 170   | 28942       |     | Screw, 10-32 x 3/8"   |
| 171   | 29634       |     | Fitting, Fuel line  |
| 194   | 27625       |     | Plug, Oil filler (Incl. 195)  |
| 195   | 29673       |     | * Gasket, Oil filler plug   |
| 244B  | 31752       |     | Decal, Air cleaner  |
| 244   | 34308       |     | Decal, Instruction  |
| 246   | 631687      |     | Valve, Seat & Spring Assy.  |
| 247   | 632203      |     | Carburetor (Incl. 54 & 246) (Refer to Division 5, Section A, page 160 for breakdown)  |
| 250   | 33516G      |     | * Gasket Set (Incl. items marked *)   |

| Ref # | Part Number | Qty | Description                              |
|-------|-------------|-----|--|
| 251   | 35075       |     | "O" Ring Kit (Incl. Nos. items marked +) |

ILLUSTRATION SHOWS TYPICAL PARTS ONLY. ORDER BY PART NUMBER. PARTS NOT LISTED ARE SUPPLIED BY OEM.

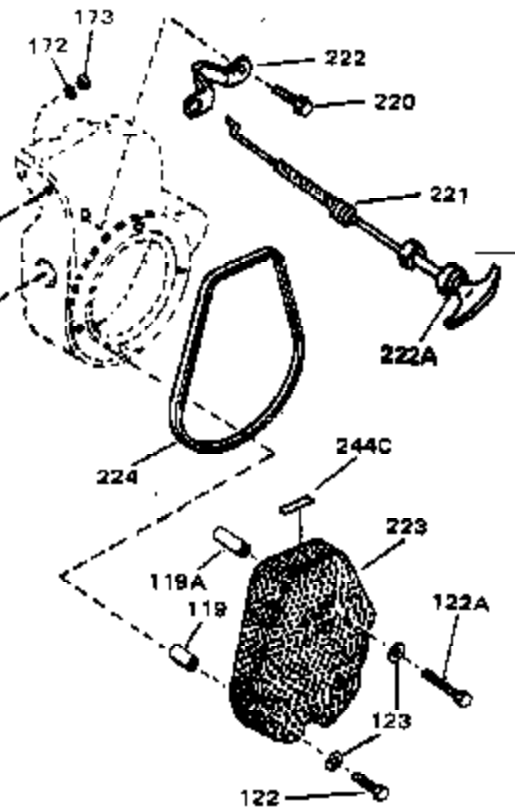
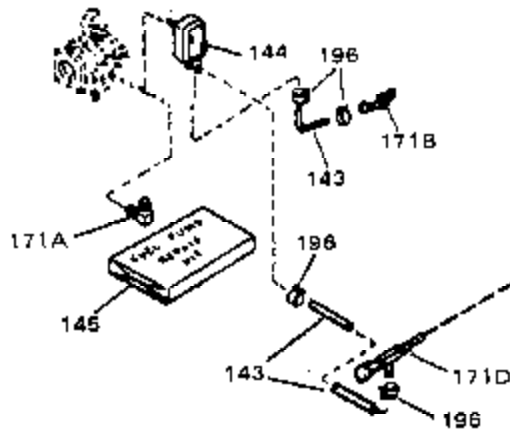
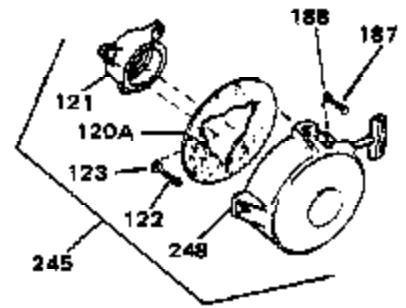
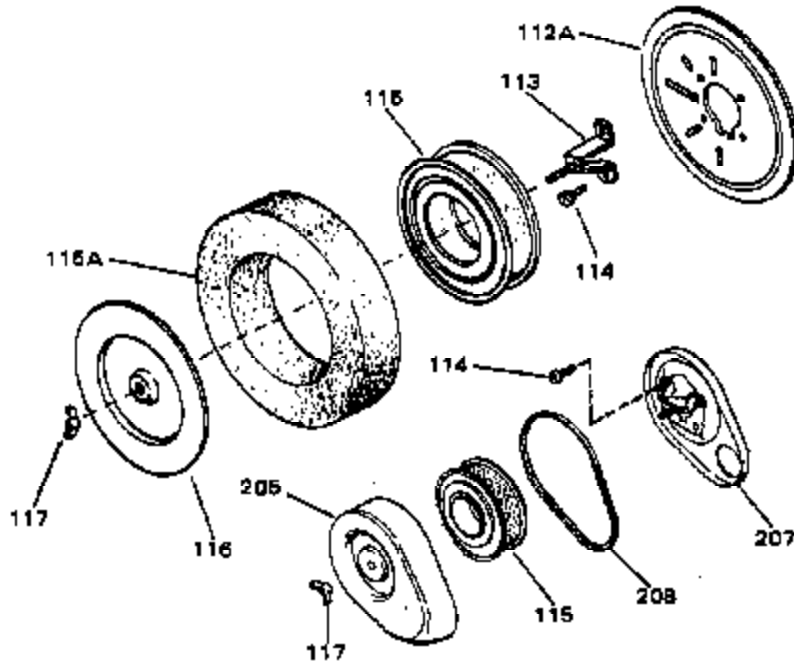
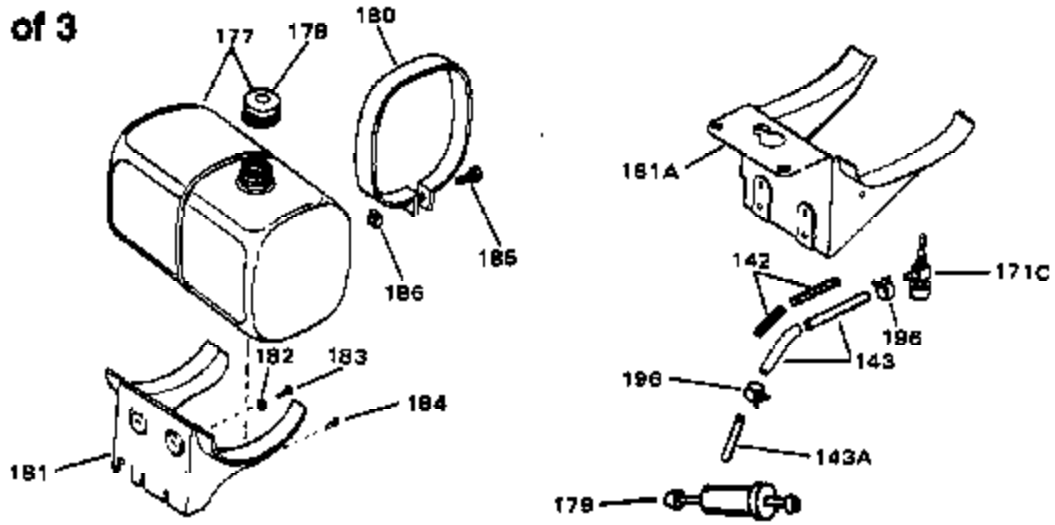
VIEW 2 of 3



| Ref # | Part Number | Qty | Description   |
|-------|-------------|-----|---|
|       | 39 650736   |     | Screw, 10-16 x 3/8"   |
|       | 82 30063    |     | Screw, 1/4-20 x 1/2"  |
|       | 126A 35731  |     | Muffler (Incl. 126B)  |
|       | 140 33499   |     | Spacer  |
|       | 141 33963   |     | Gear, Counterbalance weight (Helical teeth)   |
|       | 141         |     | Gear, Counterbalance weight (Straight teeth) (For replacement see Ref. 132. Order correct kit for your enginemodel number.)   |
|       | 148 610902  |     | Alt.Coil Ass'y. (Incl.162,163,163A) ( 20 amp)   |
|       | 149 650521  |     | Screw, 10-32 x 1-1/8"   |
|       | 151A 610996 |     | Regulator (20 Amp) (Incl. 212 thru 21 8)  |
|       | 153 792028  |     | Screw, 5/16-18 x 7/8"(Use w/32817 str .motor)   |
|       | 153 650781  |     | Screw,5/16-18 x 11/16"(Use w/33835 st r.motor)  |
|       | 162A 610903 |     | Connector, Flat   |
|       | 163A 610905 |     | Terminal  |
|       | 163 610904  |     | Terminal  |
|       | 209 730178  |     | Ech.Adapter Kit (Incl.210 & 211)(As r equired)  |
|       | 210 34102B  |     | Gasket, Exhaust (Use as required)   |
|       | 211 30196   |     | Screw, 5/16-18 x 3/4" (Use as require d)  |
|       | 212 610990  |     | Connector, Male   |
|       | 213 610921  |     | Connector   |
|       | 214 610922  |     | Terminal  |
|       | 215 610989  |     | Terminal  |
|       | 216 610992  |     | Terminal, Female  |
|       | 217 610991  |     | Terminal, Female  |
|       | 218 30063   |     | Screw, 1/4-20 x 1/2"  |
|       | 238 730212  |     | Adapter Plate Kit (Optional) NOTE: If you are having mounting problems in using a HH100 thru0H180 inplac e of a large frame competitivebrand, we would like to call your attention to 730212 adapter plate kit. The kit converts the bottom mounting system found on HH100 thru 0H180 to a top mounting sys |
|       | 249 33835   |     | Electric Starter Motor (12-Volt) (Refer to Division 5, Section D for breakdown)   |

ILLUSTRATION SHOWS TYPICAL PARTS ONLY. ORDER BY PART NUMBER. PARTS NOT LISTED ARE SUPPLIED BY OEM.

**VIEW 3 of 3**





| Ref # | Part Number | Qty | Description   |
|-------|-------------|-----|---|
| 114   | 650399      |     | Screw, 10-32 x 5/8"   |
| 115   | 32008       |     | Element, Air cleaner  |
| 117   | 650513      |     | Nut, Wing   |
| 143   | 29774       |     | Fuel Line (Braided 8.25")(21 cm)(As r equired)                                |
| 143   | 30705       |     | Fuel Line (Braided 16")(41 cm)(As req uired)                                  |
| 143   | 30962       |     | Fuel Line (Braided 32")(81 cm)(As req uired)                                  |
| 178   | 410144B     |     | Fuel Cap (White Plastic)(Std)(As requ ired)                                   |
| 178   | 34210       |     | Fuel Cap (Red Plastic) (Spurt resistant, High profile) (Use as required)      |
| 196   | 26460       |     | Clamp, Fuel line (Use as required)  |
| 205   | 34193       |     | Cover, Air cleaner  |
| 206   | 34194A      |     | Tube, Air cleaner   |
| 207   | 35473       |     | Bracket, Air cleaner  |
| 208   | 34197       |     | Gasket, Air cleaner   |
| 245   | 730134      |     | Rewind Starter Kit (Incl.120A, 121, 122, 187, 188 & 248)<br>(Use as required) |