

ILLUSTRATION SHOWS TYPICAL PARTS ONLY. ORDER BY PART NUMBER. PARTS NOT LISTED ARE SUPPLIED BY OEM.

VIEW 1 of 3



| Ref # | Part Number | Qty | Description  |
|-------|-------------|-----|--|
| 1     | 33707A      |     | Cylinder (Incl. 2, 4 & 33) (3-1/2" Bo re)  |
| 2     | 31927       |     | Pipe Plug, 3/8-18 sq. head (Use as re quired)  |
| 2     | 28483       |     | Pipe Plug (3/8-18 hex countersunk) (A s req.)  |
| 2     |             |     | Pipe Plug (3/4-14 sq.hd.)(As req.)(Bu y local)   |
| 2     | 9556        |     | Pipe Plug (1/8-27 sq. hd.) (Use as re quired)  |
| 2     | 28534       |     | Pipe Plug(1/8-27 hex c/sunk headless) (As req)   |
| 4     | 27652       |     | Pin, Dowel   |
| 5     | 34169A      |     | Crankshaft (Incl. 6 thru 9) NOTE: When using this crankshaft to repair older units equippedwith straight cut cam and governor gears,it will be necessary to order 34751 helical governor gear assembly and 34752 helical camshaft in order to the complete the repair. |
| 6     | 29783       |     | Pin, Crankshaft gear   |
| 7     | 34692       |     | Gear Crankshaft (Helical)  |
| 8     | 31932       |     | Bearing, Tapered roller  |
| 9     | 31928       |     | Cup, Bearing   |
| 11    | 34511       |     | Piston, Pin & Ring Set (Std.) (3-1/2" Bore)  |
| 11    | 34512       |     | Piston, Pin & Ring Set (.010" OS)  |
| 11    | 34513       |     | Piston, Pin & Ring Set (.020" OS)  |
| 11A   | 32238B      |     | Piston & Pin Ass'y. (Std.)(3-1/2")(In cl.12)   |
| 11A   | 32239B      |     | Piston & Pin Ass'y. (.010" OS) (Incl. 12)  |
| 11A   | 32240B      |     | Piston & Pin Ass'y. (.020 " OS) (Incl . 12)  |
| 12    | 31919       |     | Ring, Piston pin retaining   |
| 13    | 32241       |     | Ring Set (Std.) (3-1/2" Bore)  |
| 13    | 32242       |     | Ring Set (.010" OS)  |
| 13    | 32243       |     | Ring Set (.020" OS)  |
| 14    | 33093A      |     | Connecting Rod Assy.(Std.)(Incl.15, 1 6 & 17)  |
| 14    | 34383       |     | Connecting Rod Assy.(.010" US)(Incl.1 5,16,17)   |
| 14    | 34384       |     | Connecting Rod Assy.(.020" US)(Incl.1 5,16.17)   |
| 15    | 32077       |     | Bolt, Connecting rod   |
| 16    | 26073       |     | Washer, Connecting rod   |
| 17    | 28264       |     | Nut Assy.  |
| 18    | 34752       |     | Camshaft (MCR) (Helical)   |
| 19    | 33472       |     | Lifter, Valve  |
| 20    | 33471       |     | Rod, Push  |
| 21    | 33505       |     | Intake Valve (Std.)  |
| 21    | 33645       |     | Intake Valve (1/32" OS)  |
| 22    | 33506       |     | Exhaust Valve (Std.)   |
| 22    | 33646       |     | Exhaust Valve (1/32" OS)   |
| 23    | 33507       |     | Spring, Valve  |
| 24    | 33508       |     | Retainer & Cap Set, Keeper valve   |
| 25    | 33509       |     | * "O" Ring (Intake only) (Also Incl. in 251)   |
| 25A   | 34410       |     | * "O" Ring (Exhaust only) (Also Incl. i n 251)   |
| 26    | 33510       |     | Cap, Valve   |
| 27    | 34751       |     | Governor Gear Ass'y. (Helical)   |
| 28    | 650745      |     | Washer, Flat   |
| 29    | 35479       |     | Washer, Flat (Use with 35322 spool)  |
| 29    | 30590A      |     | Washer, Flat   |
| 30    | 31948       |     | Spool, Governor  |
| 31    | 31956B      |     | * Gasket, Cylinder cover   |
| 32    | 32580A      |     | Cylinder Cover Assy.(Incl.2,33,36,37 & 38)   |
| 33    | 31950       |     | * Seal, Oil  |
| 34    | 650451      |     | Screw, 1/4-20 x 1"   |
| 35    | 650588      |     | Screw, 1/4-20 x 2"   |
| 36    | 32425       |     | Rod Assy., Governor  |
| 37    | 32426       |     | Spacer, Governor rod   |
| 38    | 29193       |     | Ring, Retaining  |

| Ref # | Part Number | Qty | Description                                   |
|-------|-------------|-----|---|
| 39    | 650736      |     | Screw, 10-16 x 3/8"                           |
| 40    | 33495       |     | Cover, Cylinder head                          |
| 41    | 34225A      |     | * Gasket, Cylinder head                       |
| 42    | 34753       |     | Head, Cylinder                                |
| 45    | 33657       |     | Spark Plug (L-82C)                            |
| 46A   | 650691      |     | Washer, Flat                                  |
| 46    | 650690      |     | Washer, Belleville                            |
| 47    | 650692      |     | Screw, 5/16-18 x 1-3/4"                       |
| 47A   | 650746      |     | Screw, 5/16-18 x 1-3/8"                       |
| 48    | 730218      |     | Valve Guide Kit (Incl. 49)                    |
| 49    | 792035      |     | Ring, Retaining                               |
| 50    | 33515A      |     | * Gasket, Intake pipe                         |
| 51    | 33475       |     | Pipe, Intake                                  |
| 52    | 650378      |     | Screw, Torx T-30, 5/16-18 x 1-1/8"            |
| 53    | 792028      |     | Screw, 5/16-18 x 7/8"                         |
| 54    | 33476A      |     | * Gasket, Carburetor                          |
| 55    | 33477A      |     | Baffle, Air cleaner                           |
| 56    | 792075      |     | Nut, Lock 5/16-24 (Used in early production)  |
| 57    | 33478       |     | Link, Governor lever-to-throttle lever        |
| 58    | 31963       |     | Lever, Governor                               |
| 59    | 31964       |     | Clamp, Governor lever                         |
| 60    | 650518      |     | Lockwasher, No. 10 E.T.                       |
| 61    | 30312       |     | Screw, 10-32 x 1/2"                           |
| 62    | 650544      |     | Screw, Torx T-25, 10-24 x 7/8"                |
| 63    | 7975        |     | Nut, 10-24                                    |
| 64    | 31965       |     | Plate, Governor spring                        |
| 65    | 31984A      |     | Lever Assy., Control                          |
| 66    | 28558       |     | Washer, Wave                                  |
| 67    | 31966       |     | Bushing, Governor lever                       |
| 68    | 650597      |     | Screw, 10-24 x 5/8"                           |
| 69    | 31967       |     | Spring, Governor                              |
| 70    | 650591      |     | Screw, 10-24 x 2"                             |
| 71    | 33099       |     | Spring  |
| 72    | 32599       |     | "O" Ring (Incl. in 251)                       |
| 73    | 650666      |     | Washer, Lock                                  |
| 74    | 32579       |     | Baffle, Blower housing                        |
| 75    | 650561      |     | Screw, 1/4-20 x 5/8"                          |
| 76    | 650592      |     | Key, Flywheel                                 |
| 77    | 610967      |     | Flywheel (w/ring gear)                        |
| 77A   | 730201      |     | Trigger Pin Kit (Use as required)             |
| 78    | 650594      |     | Nut, Flywheel                                 |
| 79    | 610906      |     | Solid State Magneto (Incl. 158 thru 1 61)     |
| 80    | 650661      |     | Screw, 1/4-20 x 3/4"                          |
| 81    | 33479       |     | Extension, Blower housing                     |
| 82    | 30063       |     | Screw, 1/4-20 x 1/2"                          |
| 83    | 650751      |     | Screw, 1/4-20 x 7/16"                         |
| 84    | 33775A      |     | Blower Hsg.(Incl.218A,219)(For elec.s tarter) |
| 85    | 8274        |     | Washer, Lock                                  |
| 86A   | 650624      |     | Screw, 5/16-24 x 9/16"                        |
| 86    | 650595      |     | Screw, 5/16-24 x 3/8"                         |
| 87    | 650752      |     | Screw, 1/4-20 x 7/16"                         |
| 88    | 35475       |     | Tube, Push rod                                |
| 89    | 33481       |     | * "O" Ring (Also Incl. in 251)                |
| 90    | 34754       |     | Housing, Rocker arm                           |
| 91    | 33013       |     | Cover, Starter bubble                         |
| 92    | 650701      |     | Screw, 8-18 x 7/16"                           |
| 94    | 33484       |     | * "O" Ring (Also Incl. in 251)                |
| 95    | 650168      |     | Washer, Flat                                  |

| Ref # | Part Number | Qty | Description   |
|-------|-------------|-----|---|
| 96    | 32610A      |     | Screw, 1/4-20 x 29/32"  |
| 97    | 33485       |     | Arm, Rocker   |
| 98    | 33486       |     | Ring, Retaining   |
| 99    | 650755      |     | Screw, 1/4-20 x 3/4"  |
| 100   | 650864      |     | Nut, Hex, 1/4-20  |
| 101   | 650756      |     | Stud, Rocker arm  |
| 102   | 33487       |     | * "O" Ring (Also Incl. in 251)  |
| 103   | 33488       |     | Cover, Rocker arm   |
| 104   | 31958A      |     | * Gasket, Breather (Also Incl. in 251)  |
| 105   | 33489       |     | Body Assy., Breather  |
| 106   | 33490       |     | Tube, Breather  |
| 107   | 30102       |     | * Screw, 10-32 x 5/8" (Also Incl. in 25 1)  |
| 108   | 650738      |     | Screw, 1/4-20 x 5/8"  |
| 111   | 35471       |     | * Gasket, Air cleaner   |
| 112   | 35472       |     | Bracket, Air cleaner  |
| 114   | 650399      |     | Screw, 10-32 x 5/8"   |
| 115   | 32008       |     | Element, Air cleaner  |
| 116A  | 32810       |     | Cover, Air cleaner  |
| 117   | 650513      |     | Nut, Wing   |
| 122   | 650516      |     | Screw, 1/4-20 x 1-1/8"  |
| 123   | 650675      |     | Washer, Flat  |
| 125   | 650590      |     | Nut, Conduit  |
| 126   | 32043B      |     | Muffler   |
| 127   | 32143       |     | Nipple, Exhaust   |
| 146   | 32577       |     | Cover, Cylinder NOTE: Determine the gap between the cover and the machined surface on the cylinder, which can be from .001" up to .007", in which case no shim gaskets will be required. Use of gaskets must be limited to a combined total of .010" thick. Steel spacers must be used as required to eli |
| 147   | 792028      |     | Screw, 5/16-18 x 7/8"   |
| 150B  | 650399      |     | Screw, 10-32 x 5/8"   |
| 152A  | 610965      |     | Stator Plate Assy.  |
| 155   | 31971       |     | * Gasket, Shim (.004/.005 thick) NOTE: Determine the gap between the cover and the machined surface on the cylinder, which can be from .001" up to .007", in which case no shim gaskets will be required. Use of gaskets must be limited to a combined total of .010" thick. Steel spacers must be used a |
| 156   | 31972       |     | * Gasket, Shim (.005/.007 thick) NOTE: Determine the gap between the cover and the machined surface on the cylinder, which can be from .001" up to .007", in which case no shim gaskets will be required. Use of gaskets must be limited to a combined total of .010" thick. Steel spacers must be used a |
| 157   | 32031       |     | * Spacer, Steel (.010 thick) NOTE: Determine the gap between the cover and the machined surface on the cylinder, which can be from .001" up to .007", in which case no shim gaskets will be required. Use of gaskets must be limited to a combined total of .010" thick. Steel spacers must be used as re |
| 158   | 610118      |     | Cover, Spark plug   |
| 159   | 610750      |     | Grommet, Lead wire  |
| 160   | 610408      |     | Nut, 8-32   |
| 161   | 610908      |     | Terminal, Female  |
| 164   | 33356       |     | Terminal  |
| 165   | 650760      |     | Screw, 8-32 x 3/8"  |

| Ref # | Part Number | Qty | Description  |
|-------|-------------|-----|--|
|       | 166 28545   |     | Grommet, Plastic   |
|       | 167 650890  |     | Washer, Lock   |
|       | 167A 26073  |     | Washer, Flat   |
|       | 168 32039   |     | Switch, Stop   |
|       | 169A 27793  |     | Clip, Conduit  |
|       | 170 28942   |     | Screw, 10-32 x 3/8"  |
|       | 189 33993A  |     | Dipstick (Incl. 190)   |
|       | 190 33590   |     | "O" Ring   |
|       | 191 33992A  |     | Tube, Oil filler   |
|       | 193 29443   |     | Clip, Wire   |
|       | 244A 34768  |     | Decal, Name  |
|       | 244B 31752  |     | Decal, Air cleaner   |
|       | 244 34346   |     | Decal, Instruction   |
|       | 246 631687  |     | Valve, Seat & Spring Assy.   |
|       | 247 632329  |     | Carburetor (Incl. 54 & 246) (Refer to Division 5, Section A, page 160 for breakdown) |
|       | 250 33516G  |     | * Gasket Set (Incl. items marked *)  |
|       | 251 35075   |     | "O" Ring Kit (Incl. Nos. items marked +)   |

ILLUSTRATION SHOWS TYPICAL PARTS ONLY. ORDER BY PART NUMBER. PARTS NOT LISTED ARE SUPPLIED BY OEM.

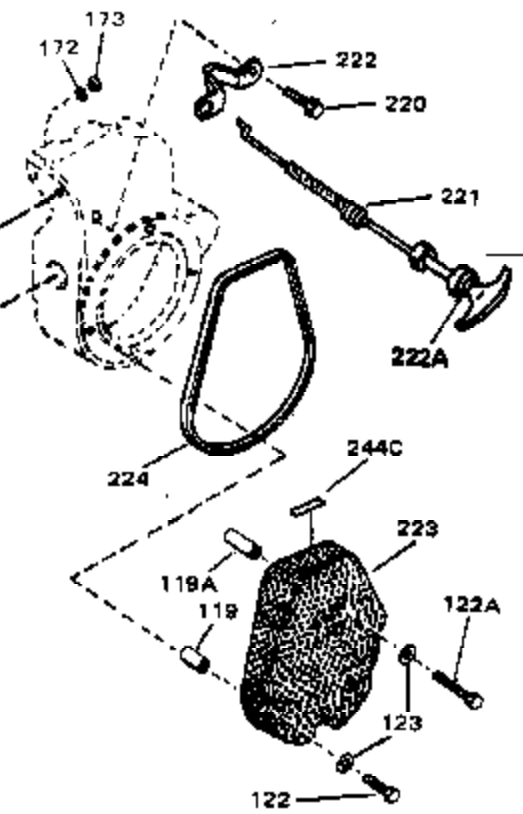
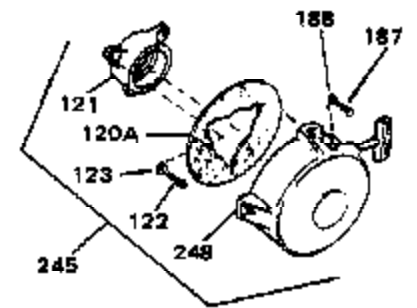
VIEW 2 of 3



| Ref # | Part Number | Qty | Description  |
|-------|-------------|-----|--|
|       | 39 650736   |     | Screw, 10-16 x 3/8"  |
|       | 82 30063    |     | Screw, 1/4-20 x 1/2"   |
|       | 126A 35731  |     | Muffler (Incl. 126B)   |
|       | 141         |     | Gear, Counterbalance weight (Straight teeth) (For replacement see Ref. 132. Order correct kit for your enginemodel number.)  |
|       | 153 792028  |     | Screw, 5/16-18 x 7/8"(Use w/32817 str .motor)  |
|       | 153 650781  |     | Screw,5/16-18 x 11/16"(Use w/33835 st r.motor)   |
|       | 209 730178  |     | Ech.Adapter Kit (Incl.210 & 211)(As r equired)   |
|       | 210 34102B  |     | Gasket, Exhaust (Use as required)  |
|       | 211 30196   |     | Screw, 5/16-18 x 3/4" (Use as require d)   |
|       | 238 730212  |     | Adapter Plate Kit (Optional) NOTE: If you are having mounting problems in using a HH100 thru0H180 inplace of a large frame competitivebrand, we would like to call your attention to 730212 adapter plate kit. The kit converts the bottom mounting system found on HH100 thru 0H180 to a top mounting sys |

ILLUSTRATION SHOWS TYPICAL PARTS ONLY. ORDER BY PART NUMBER. PARTS NOT LISTED ARE SUPPLIED BY OEM.

**VIEW 3 of 3**





| Ref # | Part Number | Qty | Description  |
|-------|-------------|-----|--|
| 114   | 650399      |     | Screw, 10-32 x 5/8"  |
| 115   | 32008       |     | Element, Air cleaner   |
| 117   | 650513      |     | Nut, Wing  |
| 120A  | 32049       |     | Screen, Starter hub  |
| 121   | 32048       |     | Hub, Starter   |
| 122   | 650516      |     | Screw, 1/4-20 x 1-1/8"   |
| 123   | 650675      |     | Washer, Flat   |
| 143   | 29774       |     | Fuel Line (Braided 8.25")(21 cm)(As required)  |
| 143   | 30705       |     | Fuel Line (Braided 16")(41 cm)(As required)  |
| 143   | 30962       |     | Fuel Line (Braided 32")(81 cm)(As required)  |
| 144   | 34392A      |     | Pump, Impulse fuel   |
| 145   | 33010       |     | Repair Kit, Impulse fuel pump  |
| 171C  | 29683       |     | Valve, Fuel strainer & shut-off  |
| 171A  | 28566       |     | Fitting, Fuel line   |
| 177   | 33979       |     | Fuel Tank (Incl. 178)  |
| 178   | 410144B     |     | Fuel Cap (White Plastic)(Std)(As required)   |
| 178   | 34210       |     | Fuel Cap (Red Plastic) (Spurt resistant, High profile) (Use as required)   |
| 180   | 33980       |     | Strap, Fuel tank   |
| 181   | 33978       |     | Bracket, Fuel tank   |
| 182   | 650787      |     | Washer, Belleville   |
| 183   | 650786      |     | Screw, 1/4-20 x 5/8"   |
| 184   | 650785      |     | Screw, 5/16-18 x 5/8"  |
| 185   | 650488      |     | Screw, 1/4-20 x 1-1/4"   |
| 186   | 650456      |     | Nut, Lock  |
| 187   | 650598      |     | Screw, 1/4-28 x 3/4"   |
| 188   | 8345        |     | Washer   |
| 196   | 26460       |     | Clamp, Fuel line (Use as required)   |
| 245   | 730134      |     | Rewind Starter Kit (Incl.120A, 121, 122, 187, 188 & 248)<br>(Use as required)  |
| 248   | 590405A     |     | Rewind Starter (Refer to Division 5, Section C, page 24 for<br>breakdown) (Refer to Division 5, Section D for breakdown) |