

(Page 1 of 2)

IMAGE FILE: ENOH160.2



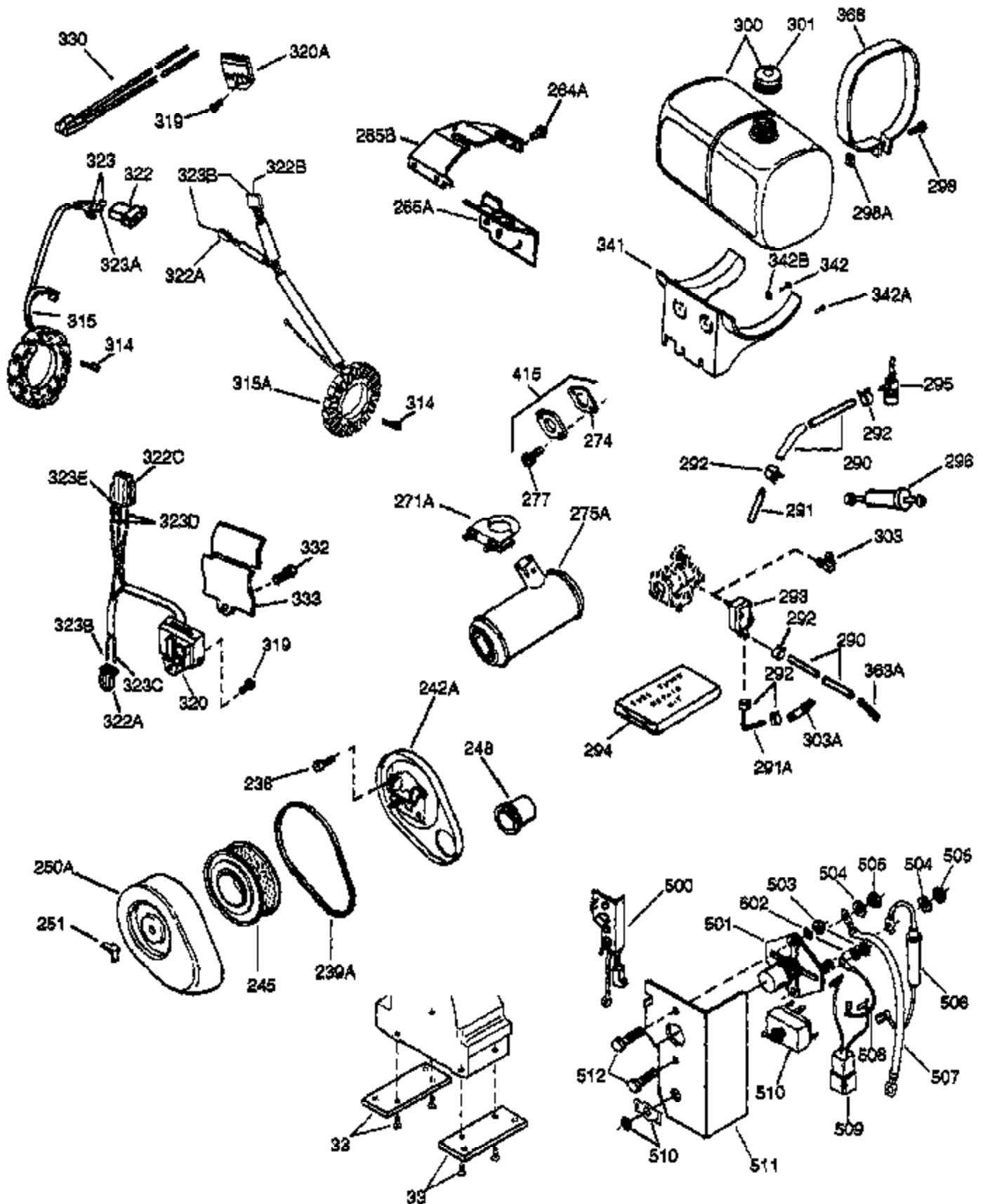
Ref #	Part Number	Qty	Description
	1 33707A	1	Cylinder (Incl. 2, 20 & 72)
	2 27652	2	Dowel Pin
	14A 28558	1	Washer
	15 32425	1	Governor Rod
	16B 31965	1	Governor Spring Plate
	16 31963	1	Governor Lever
	17 31964	1	Governor Lever Clamp
	18 650544	1	Screw, Torx T-25, 10-24 x 7/8"
	19 31967	1	Extension Spring
	20A 32599	1	* "O" Ring
	20 31950	1	* Oil Seal
	24 31932	2	Tapered Roller Bearing
	24A 31928	2	Bearing Cup
	25A 33477A	1	Air Baffle
	25 32579	1	Blower Housing Baffle
	25B 651031	1	Screw, 1/4-20 x 9/16"
	26 650561	3	Screw, 1/4-20 x 5/8"
	30 33393A	1	Crankshaft
	35 30312	1	Screw, 10-32 x 1/2"
	37 7975	1	Lock Nut, 10-24
	38 29193	1	Retaining Ring
	38A 650518	1	Washer
	40 34511	1	Piston, Pin & Ring Set (Std.)
	40 34512	1	Piston, Pin & Ring Set (.010" OS)
	40 34513	1	Piston, Pin & Ring Set (.020" OS)
	41 32238B	1	Piston & Pin Ass'y. (Std.) (Incl. 43)
	41 32239B	1	Piston & Pin Ass'y. (.010" OS) (Incl. 43)
	41 32240B	1	Piston & Pin Ass'y. (.020" OS) (Incl. 43)
	42 32241	1	Ring Set (Std.)
	42 32242	1	Ring Set (.010" OS)
	42 32243	1	Ring Set (.020" OS)
	43 31919	2	Piston Pin Retaining Ring
	45 33093A	1	Connecting Rod Ass'y. (Incl.46 - 46B)
	45 34383	1	Connecting Rod Ass'y.(.010" US)(Incl. 46-46B)
	45 34384	1	Connecting Rod Ass'y.(.020" US)(Incl. 46-46B)
	46B 28264	2	Nut
	46A 26073	2	Washer
	46 32077	2	Connecting Rod Bolt
	48 33472	2	Valve Lifter
	50 34752	1	Camshaft (MCR)
	60 33479	1	Blower Housing Extension
	66 30063	2	Screw, Torx T-30, 1/4-20 x 1/2"
	69 31956B	1	* Cylinder Cover Gasket
	70 32580A	1	Cylinder Cover (Incl. 15,38,72,75,88)
	70A 32577	1	Cylinder Cover (See Ref. #'s 480-482)
	72A 28534	1	Oil Drain Plug
	72 31927	2	Oil Drain Plug
	75 31950	1	Oil Seal
	81A 650745	1	Washer
	81 30590A	1	Washer
	82 34751	1	Governor Gear Ass'y.
	83 35322	1	Governor Spool
	86 650588	1	Screw, 1/4-20 x 2"
	86A 792028	3	Screw, 5/16-18 x 7/8"
	87 650451	8	Screw, 1/4-20 x 1"
	88 32426	1	Spacer
	89 650592	1	Flywheel Key
	90 610909	1	Flywheel (W/Ring Gear) (Incl. 90A)

Ref #	Part Number	Qty	Description
90A	730201	1	Trigger Pin Kit
92	650666	1	Washer
93	650594	1	Flywheel Nut
100	610906	1	Solid State Ignition (Incl.101,101A,3 24,324A)
101A	610750	1	Grommet
101	610118	1	Spark Plug Cover
103	650661	2	Screw, 1/4-20 x 3/4"
108	29783	1	Crankshaft Pin
109	34692	1	Crankshaft Gear
119	34225A	1	* Cylinder Head Gasket
120	34753	1	Cylinder Head
121	730218	2	Valve Guide Kit (Incl. 2 of 122)
122	792035	2	Retaining Ring
125	33506	1	Exhaust Valve (Std.) (Incl. 151)
125	33646	1	Exhaust Valve (1/32" OS) (Incl. 151)
126	33505	1	Intake Valve (Std.) (Incl. 151)
126	33645	1	Intake Valve (1/32" OS) (Incl. 151)
127	650691	6	Washer
128	650690	6	Belleville Washer
129	650692	4	Screw, 5/16-18 x 1-3/4"
130	650746	2	Screw, 5/16-18 x 1-3/8"
133C	650595	1	Screw, 5/16-18 x 3/8"
133B	8274	1	Washer
135	33657	1	Resistor Spark Plug (RL82C)
141	33481	4	* "O" Ring (Also Incl. in 401)
142	35475	2	Push Rod Tube
143	34754	1	Rocker Arm Housing
144	33484	3	* "O" Ring (Also Incl. in 401)
145	650168	3	Washer
146	32610A	3	Screw, 1/4-20 x 29/32"
147	33509	1	* "O" Ring (Also Incl. in 401)
148	34410	1	* "O" Ring (Also Incl. in 401)
149	33510	2	Valve Spring Cap
150	33507	2	Valve Spring
151	33508	2	Valve Spring Keeper
154	650755	1	Screw, 1/4-20 x 3/4"
155	33485	1	Rocker Arm
157	33486	2	Retaining Ring
158	33471	2	Push Rod
159	33487	1	* "O" Ring (Also Incl. in 401)
160	33488	1	Rocker Arm Housing
161	650756	2	Rocker Arm Stud
162	650864	1	Nut, 1/4-20
169	31958A	1	* Valve Cover Gasket (Also Incl.in 401)
170	33489	1	Breather Body
173	33490	1	Breather Tube
174	30102	2	* Screw, 10-32 x 5/8" (Also Incl. in 40 1)
182	650378	2	Screw, Torx T-30, 5/16-18 x 1-1/8"
184	33476A	2	* Carburetor To Intake Pipe Gasket
185	33475	1	Intake Pipe
186	33478	1	Governor Link
203	33099	1	Compression Spring
204	650591	1	Screw, 10-24 x 2"
210	27793	1	Conduit Clip
211	28942	1	Screw, 10-32 x 3/8"
212	31966	1	Bushing
213	650597	1	Screw, 10-24 x 5/8"
216	31984A	1	R.P.M. Adjusting Lever

Ref #	Part Number	Qty	Description
223	650971	2	Screw, Torx T-30, 5/16-18 x 7/8"
238	650399	4	Screw, 10-32 x 5/8"
239	35471	1	* Air Cleaner Gasket
242	35472	1	Air Cleaner Bracket
245	32008	1	Air Cleaner Filter
250	32810	1	Air Cleaner Cover
251	650513	1	Wing Nut, 1/4-20
260	34314B	1	Blower Housing
261	650751	1	Screw, 1/4-20 x 7/16"
264	650650	2	Screw, 10-16 x 3/8"
265	33495	1	Cylinder Head Cover
275	35731	1	Muffler
286	33776	1	Starter Screen
287	27070	3	Washer
287A	650670	3	Screw, 1/4-20 x 3/4"
305	33468	1	Oil Fill Tube
306	29673	1	* Oil Fill Tube Gasket
307	29985	1	"O" Ring
310	33764	1	Oil Fill Plug (Incl. 312)
319B	650595	1	Screw, 5/16-24 x 3/8"
319A	8274	1	Lock Washer
324	610908	1	Terminal
324A	610408	2	Nut, 8-32
361A	650797	1	Screw, 5/16-18 x 1/2"
361	650781	2	Screw, 5/16-18 x 11/16"
366A	32143	1	Muffler Nipple
367	650590	1	Nut
370G	35274	1	Oil Instruction Decal
370	36261	1	Instruction Decal
370A	35532	1	Logo Decal
380	632456A	1	Carburetor (Incl. 184)
395	33835	1	Electric Starter Motor (12 Volt)
400	33516G	1	* Gasket Set (Incl. items marked PK in notes) Incl. part #'s 29673 (1), 30102 (2), 31950 (2), 31956B (1), 31958A (1), 31971 (2), 31972 (1), 32031 (1), 32599 (1), 33476A (2), 33481 (4), 33484 (3), 33487 (1), 33509 (1), 33515A (1), 34225A (1), 34302A (1), 34410 (1), 34641A (1), 35471 (1)
401	35075A	1	* "O" Ring Set (Also Incl. in 400) 30102 (2), 31958A (1), 33481(4), 33484 (3), 33487 (1), 33509 (1) 34410 (1)
409A	650675	3	Washer
409	32426	3	Spacer
420	730225	1	SAE 30 4-Cycle Engine Oil (Quart)
480	31971	2	* Shim Gasket (.004/.005) (See Repair Manual)
481	31972	1	* Shim Gasket (.005/.007) (See Repair Manual)
482	32031	1	* Steel Spacer (.010) (See Repair Manual)

(Page 2 of 2)

IMAGE FILE: ENOH160.2



Ref #	Part Number	Qty	Description
16B	31965	1	Governor Spring Plate
144	33484	3	* "O" Ring (Also Incl. in 401)
238	650399	4	Screw, 10-32 x 5/8"
245	32008	1	Air Cleaner Filter
251	650513	1	Wing Nut, 1/4-20
271A	35732	1	Muffler Clamp
274	33515A	1	* Exhaust Gasket
290	29774	1	Fuel Line (6.00")
291A	29774	1	Fuel Line
292	26460	4	Fuel Line Clamp
293	35807	1	Pulse Pump
294	35791	1	Pulse Pump Repair Kit
303A	29634	2	Fuel Fitting
314	650521	2	Screw, 10-32 x 1-1/8"
315	611214	1	Alternator Coil (20 Amp) (Incl. 322 - 323)
319	651026	1	Screw, 1/4-20 x 1/2"
320	611215	1	Regulator (20 Amp)
322	610824	1	Connector Body
322A	610921	1	Connector Body
323	610922	2	Terminal
366A	32143	1	Muffler Nipple
370G	35274	1	Oil Instruction Decal