

(Page 1 of 2)

IMAGE FILE: ENOH160.2



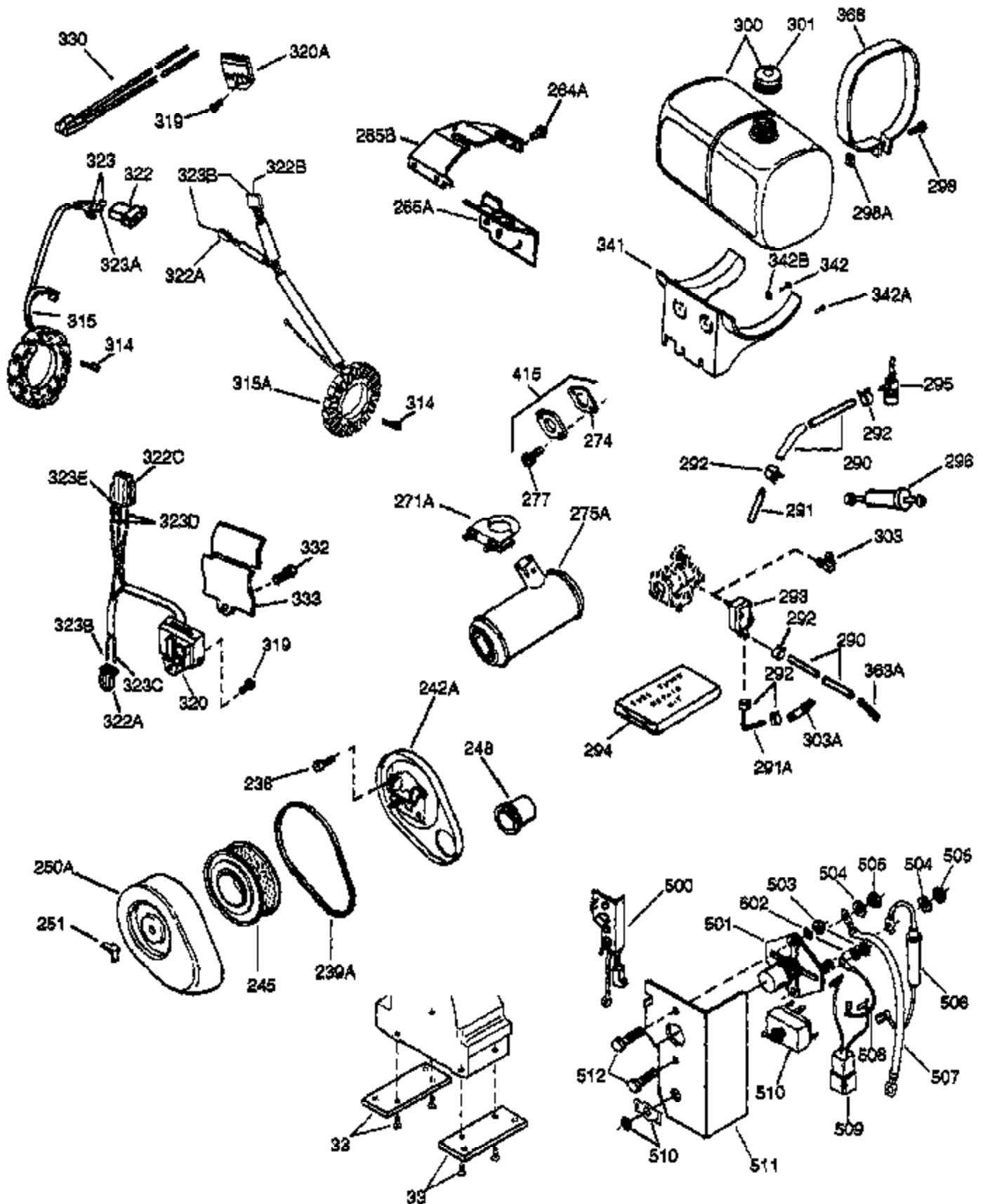
| Ref # | Part Number | Qty | Description |
|-------|-------------|-----|---|
| 1 | 33707A | 1 | Cylinder (Incl. 2, 20 & 72) |
| 2 | 27652 | 2 | Dowel Pin |
| 14A | 28558 | 1 | Washer |
| 15 | 32425 | 1 | Governor Rod |
| 16B | 31965 | 1 | Governor Spring Plate |
| 16 | 31963 | 1 | Governor Lever |
| 17 | 31964 | 1 | Governor Lever Clamp |
| 18 | 650544 | 1 | Screw, Torx T-25, 10-24 x 7/8" |
| 19 | 31967 | 1 | Extension Spring |
| 20 | 31950 | 1 | * Oil Seal |
| 20A | 32599 | 1 | * "O" Ring |
| 24 | 31932 | 2 | Tapered Roller Bearing |
| 24A | 31928 | 2 | Bearing Cup |
| 25A | 34285 | 1 | Air Baffle |
| 25 | 32579 | 1 | Blower Housing Baffle |
| 25B | 650738 | 1 | Screw, 1/4-20 x 5/8" |
| 26 | 650561 | 3 | Screw, 1/4-20 x 5/8" |
| 30 | 33393A | 1 | Crankshaft |
| 35 | 30312 | 1 | Screw, 10-32 x 1/2" |
| 37 | 7975 | 1 | Lock Nut, 10-24 |
| 38A | 650518 | 1 | Washer |
| 38 | 29193 | 1 | Retaining Ring |
| 40 | 34511 | 1 | Piston, Pin & Ring Set (Std.) |
| 40 | 34512 | 1 | Piston, Pin & Ring Set (.010" OS) |
| 40 | 34513 | 1 | Piston, Pin & Ring Set (.020" OS) |
| 40 | 34524 | 1 | Piston, Pin & Ring Set (.030" OS) |
| 40 | 34525 | 1 | Piston, Pin & Ring Set (.040" OS) |
| 41 | 32238B | 1 | Piston & Pin Ass'y. (Std.) (Incl. 43) |
| 41 | 32239B | 1 | Piston & Pin Ass'y. (.010" OS) (Incl. 43) |
| 41 | 32240B | 1 | Piston & Pin Ass'y. (.020" OS) (Incl. 43) |
| 41 | 32621B | 1 | Piston & Pin Ass'y. (.030" OS) (Incl. 43) |
| 41 | 32622B | 1 | Piston & Pin Ass'y. (.040" OS) (Incl. 43) |
| 42 | 32241 | 1 | Ring Set (Std.) |
| 42 | 32242 | 1 | Ring Set (.010" OS) |
| 42 | 32243 | 1 | Ring Set (.020" OS) |
| 42 | 32625 | 1 | Ring Set (.030" OS) |
| 42 | 32626 | 1 | Ring Set (.040" OS) |
| 43 | 31919 | 2 | Piston Pin Retaining Ring |
| 45 | 33093A | 1 | Connecting Rod Ass'y. (Incl.46 - 46B) |
| 45 | 34383 | 1 | Connecting Rod Ass'y.(.010" US)(Incl. 46-46B) |
| 45 | 34384 | 1 | Connecting Rod Ass'y.(.020" US)(Incl. 46-46B) |
| 46A | 26073 | 2 | Washer |
| 46B | 28264 | 2 | Nut |
| 46 | 32077 | 2 | Connecting Rod Bolt |
| 48 | 33472 | 2 | Valve Lifter |
| 50 | 34752 | 1 | Camshaft (MCR) |
| 63 | 28545 | 1 | Grommet |
| 69 | 31956B | 1 | * Cylinder Cover Gasket |
| 70 | 32580A | 1 | Cylinder Cover (Incl. 15,38,72,75,88) |
| 70A | 32577 | 1 | Cylinder Cover (See Ref. #'s 480-482) |
| 72 | 31927 | 2 | Oil Drain Plug |
| 75 | 31950 | 1 | Oil Seal |
| 81 | 30590A | 1 | Washer |
| 81A | 650745 | 1 | Washer |
| 82 | 34751 | 1 | Governor Gear Ass'y. |
| 83 | 35322 | 1 | Governor Spool |
| 86A | 792028 | 3 | Screw, 5/16-18 x 7/8" |
| 86 | 650588 | 1 | Screw, 1/4-20 x 2" |

| Ref # | Part Number | Qty | Description |
|-------|-------------|-----|--|
| 87 | 650451 | 8 | Screw, 1/4-20 x 1" |
| 88 | 32426 | 1 | Spacer |
| 89 | 650592 | 1 | Flywheel Key |
| 90 | 610966 | 1 | Flywheel (Incl. 90A) |
| 90A | 730201 | 1 | Trigger Pin Kit |
| 92 | 650666 | 1 | Washer |
| 93 | 650594 | 1 | Flywheel Nut |
| 100 | 610906 | 1 | Solid State Ignition (Incl.101,101A,3 24,324A) |
| 101 | 610118 | 1 | Spark Plug Cover |
| 101A | 610750 | 1 | Grommet |
| 103 | 650661 | 2 | Screw, 1/4-20 x 3/4" |
| 108 | 29783 | 1 | Crankshaft Pin |
| 109 | 34692 | 1 | Crankshaft Gear |
| 119 | 34225A | 1 | * Cylinder Head Gasket |
| 120 | 34753 | 1 | Cylinder Head |
| 121 | 730218 | 2 | Valve Guide Kit (Incl. 2 of 122) |
| 122 | 792035 | 2 | Retaining Ring |
| 125 | 33506 | 1 | Exhaust Valve (Std.) (Incl. 151) |
| 125 | 33646 | 1 | Exhaust Valve (1/32" OS) (Incl. 151) |
| 126 | 33505 | 1 | Intake Valve (Std.) (Incl. 151) |
| 126 | 33645 | 1 | Intake Valve (1/32" OS) (Incl. 151) |
| 127 | 650691 | 6 | Washer |
| 128 | 650690 | 6 | Belleville Washer |
| 129 | 650692 | 4 | Screw, 5/16-18 x 1-3/4" |
| 130 | 650746 | 2 | Screw, 5/16-18 x 1-3/8" |
| 133C | 650624 | 1 | Screw, 5/16-24 x 9/16" |
| 133 | 650890 | 1 | Lock Washer, 5/16 |
| 133A | 26073 | 1 | Washer |
| 134 | 32039 | 1 | Shorting Clip |
| 135 | 33657 | 1 | Resistor Spark Plug (RL82C) |
| 141 | 33481 | 4 | * "O" Ring (Also Incl. in 401) |
| 142 | 35475 | 2 | Push Rod Tube |
| 143 | 34754 | 1 | Rocker Arm Housing |
| 144 | 33484 | 3 | * "O" Ring (Also Incl. in 401) |
| 145 | 650168 | 3 | Washer |
| 146 | 32610A | 3 | Screw, 1/4-20 x 29/32" |
| 147 | 33509 | 1 | * "O" Ring (Also Incl. in 401) |
| 148 | 34410 | 1 | * "O" Ring (Also Incl. in 401) |
| 149 | 33510 | 2 | Valve Spring Cap |
| 150 | 33507 | 2 | Valve Spring |
| 151 | 33508 | 2 | Valve Spring Keeper |
| 154 | 650755 | 1 | Screw, 1/4-20 x 3/4" |
| 155 | 33485 | 1 | Rocker Arm |
| 157 | 33486 | 2 | Retaining Ring |
| 158 | 33471 | 2 | Push Rod |
| 159 | 33487 | 1 | * "O" Ring (Also Incl. in 401) |
| 160 | 33488 | 1 | Rocker Arm Housing |
| 161 | 650756 | 2 | Rocker Arm Stud |
| 162 | 650864 | 1 | Nut, 1/4-20 |
| 169 | 31958A | 1 | * Valve Cover Gasket (Also Incl.in 401) |
| 170 | 33489 | 1 | Breather Body |
| 173 | 33490 | 1 | Breather Tube |
| 174 | 30102 | 2 | * Screw, 10-32 x 5/8" (Also Incl. in 40 1) |
| 182 | 650378 | 2 | Screw, Torx T-30, 5/16-18 x 1-1/8" |
| 184 | 33476A | 2 | * Carburetor To Intake Pipe Gasket |
| 185 | 33475 | 1 | Intake Pipe |
| 186 | 33478 | 1 | Governor Link |
| 203 | 33099 | 1 | Compression Spring |

| Ref # | Part Number | Qty | Description |
|-------|-------------|-----|---|
| 204 | 650591 | 1 | Screw, 10-24 x 2" |
| 210 | 27793 | 1 | Conduit Clip |
| 211 | 28942 | 1 | Screw, 10-32 x 3/8" |
| 212 | 31966 | 1 | Bushing |
| 213 | 650597 | 1 | Screw, 10-24 x 5/8" |
| 216 | 31984A | 1 | R.P.M. Adjusting Lever |
| 223 | 792028 | 2 | Screw, 5/16-18 x 7/8" |
| 239 | 35471 | 1 | * Air Cleaner Gasket |
| 245 | 32008 | 1 | Air Cleaner Filter |
| 250 | 34193 | 1 | Air Cleaner Cover |
| 251 | 650513 | 1 | Wing Nut, 1/4-20 |
| 260 | 34195B | 1 | Blower Housing |
| 261 | 650752 | 1 | Screw, 1/4-20 x 7/16" |
| 261A | 650751 | 1 | Screw, 1/4-20 x 7/16" |
| 264 | 650128 | 2 | Screw, 10-24 x 1/2" |
| 265 | 34283 | 1 | Cylinder Head Cover |
| 305 | 35574 | 1 | Oil Fill Tube |
| 307 | 35499 | 1 | * "O" Ring |
| 310 | 35599 | 1 | Dipstick (Incl. 307) |
| 319B | 650595 | 1 | Screw, 5/16-24 x 3/8" |
| 319A | 8274 | 1 | Lock Washer |
| 324A | 610408 | 2 | Nut, 8-32 |
| 324 | 610908 | 1 | Terminal |
| 325 | 29443 | 1 | Wire Clip |
| 342B | 650787 | 2 | Belleville Washer |
| 361 | 650781 | 3 | Screw, 5/16-18 x 11/16" |
| 366A | 32143 | 1 | Muffler Nipple |
| 367 | 650590 | 1 | Nut |
| 370A | 35532 | 1 | Name Decal |
| 370 | 34346 | 1 | Lubrication Decal |
| 370B | 35274 | 1 | Instruction Decal |
| 380 | 632477 | 1 | Carburetor (Incl. 184) |
| 395 | 33835 | 1 | Electric Starter Motot (12 Volt) |
| 398D | 650516 | 3 | Screw, 1/4-20 x 1-1/8" |
| 398A | 590405A | 1 | Rewind Starter |
| 398B | 650598 | 4 | Screw, 1/4-28 x 3/4" |
| 398C | 8345 | 4 | Washer |
| 398F | 32048 | 1 | Starter Hub |
| 398E | 32049 | 1 | Starter Hub Screen |
| 400 | 33516G | 1 | * Gasket Set (Incl. items marked PK i n notes) Incl. part #'s 29673 (1), 30102 (2), 31950 (2), 31956B (1), 31958A (1), 31971 (2), 31972 (1), 32031 (1), 32599 (1), 33476A (2), 33481 (4), 33484 (3), 33487 (1), 33509 (1), 33515A (1), 34225A (1), 34302A (1), 34410 (1), 34641A (1), 35471 (1) |
| 401 | 35075A | 1 | * "O" Ring Set (Also Incl. in 400) 30102 (2), 31958A (1), 33481(4), 33484 (3), 33487 (1), 33509 (1) 34410 (1) |
| 409A | 650675 | 3 | Washer |
| 420 | 730225 | 1 | SAE 30 4-Cycle Engine Oil (Quart) |
| 436 | 610965 | 1 | Stator Plate Ass'y. |
| 436B | 650399 | 2 | Screw, 10-32 x 5/8" |
| 480 | 31971 | 2 | * Shim Gasket (.004/.005) (See Repair M anual) |
| 481 | 31972 | 1 | * Shim Gasket (.005/.007) (See Repair M anual) |
| 482 | 32031 | 1 | * Steel Spacer (.010) (See Repair Manua l) |

(Page 2 of 2)

IMAGE FILE: ENOH160.2



| Ref # | Part Number | Qty | Description |
|-------|-------------|-----|--------------------------------|
| 16B | 31965 | 1 | Governor Spring Plate |
| 144 | 33484 | 3 | * "O" Ring (Also Incl. in 401) |
| 239A | 34197 | 1 | * Air Cleaner Gasket |
| 242A | 35473 | 1 | Air Cleaner Bracket |
| 245 | 32008 | 1 | Air Cleaner Filter |
| 248 | 34194A | 1 | Air Cleaner Tube |
| 251 | 650513 | 1 | Wing Nut, 1/4-20 |
| 261A | 650751 | 1 | Screw, 1/4-20 x 7/16" |
| 265B | 34284 | 1 | cylinder Head Cover (Upper) |
| 274 | 33515A | 1 | * Exhaust Gasket |
| 291 | 29774 | 1 | Fuel Line (1.12") |
| 291 | 30962 | 1 | Fuel Line |
| 293 | 35807 | 1 | Pulse Pump |
| 294 | 35791 | 1 | Pulse Pump Repair Kit |
| 295 | 29683 | 1 | Fuel Shut-Off Valve |
| 298A | 650456 | 1 | Lock Nut, 1/4-20 |
| 298 | 650488 | 1 | Screw, 1/4-20 x 1-1/4" |
| 300 | 33979 | 1 | Fuel Tank (Incl. 301) |
| 301 | 33032 | 1 | Fuel Cap |
| 303 | 29634 | 2 | Fuel Line Fitting |
| 341 | 33978 | 1 | Fuel Tank Bracket |
| 342B | 650787 | 2 | Belleville Washer |
| 342A | 650785 | 2 | Screw, 5/16-18 x 5/8" |
| 342 | 650786 | 2 | Scarew, 1/4-20 x 5/8" |
| 366A | 32143 | 1 | Muffler Nipple |
| 368 | 33980 | 2 | Fuel Tank Strap |
| 436B | 650399 | 2 | Screw, 10-32 x 5/8" |