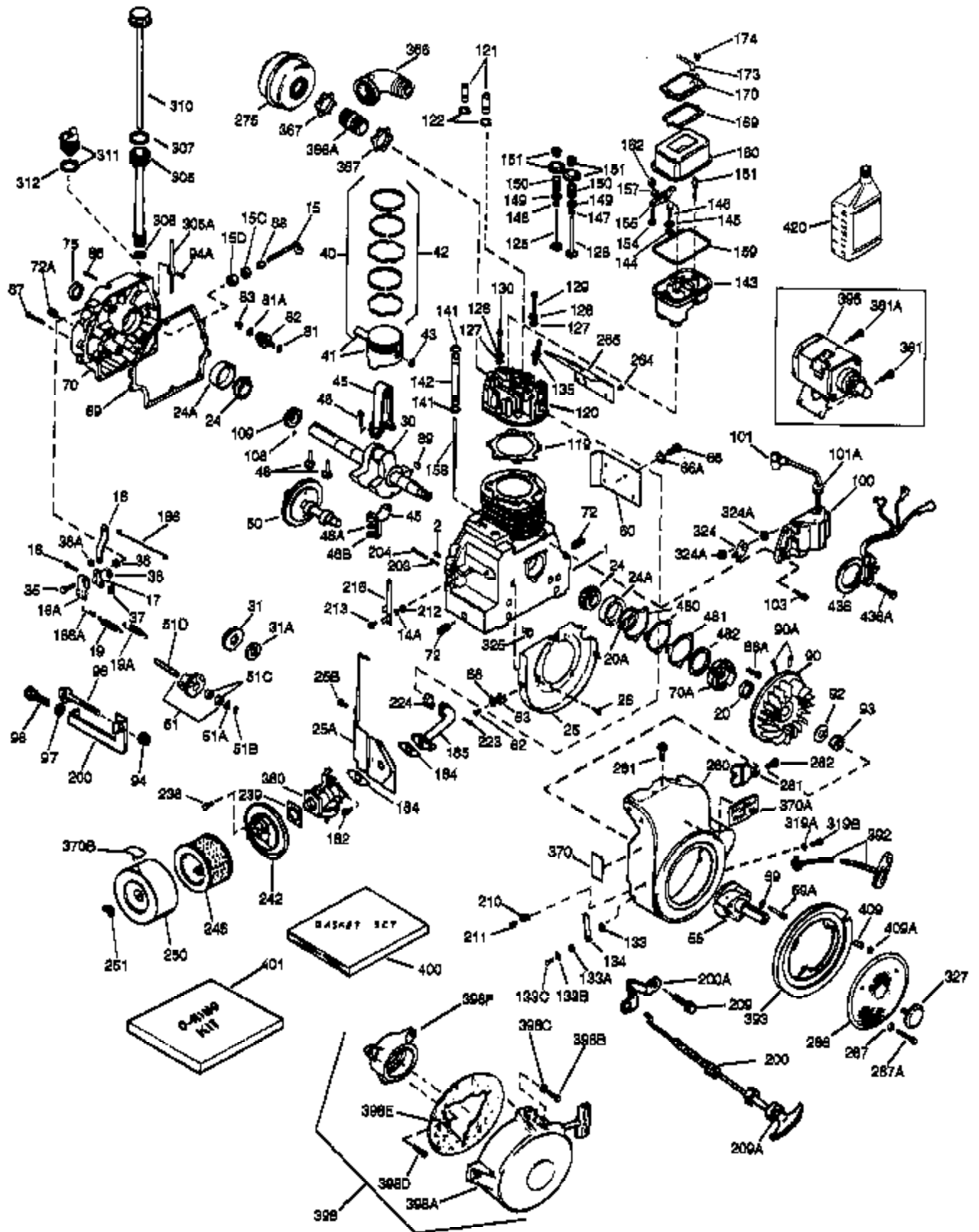


(Page 1 of 2)

IMAGE FILE: ENOH160.2



Ref #	Part Number	Qty	Description
	1 33707A	1	Cylinder (Incl. 2, 20 & 72)
	2 27652	2	Dowel Pin
	15C 34222	1	Needle Roller Bearing
	15D 34223	1	Needle Roller Bearing
	15 32425	1	Governor Rod
	16 31963	1	Governor Lever
	16B 31965	1	Governor Spring Plate
	17 31964	1	Governor Lever Clamp
	18 650544	1	Screw, Torx T-25, 10-24 x 7/8"
	19 33982	1	Governor Spring
	19A 34458	1	Governor Spring
	20 31950	1	* Oil Seal
	20A 32599	1	* "O" Ring
	24 31932	2	Tapered Roller Bearing
	24A 31928	2	Bearing Cup
	25 32579	1	Blower Housing Baffle
	25B 650738	1	Screw, 1/4-20 x 5/8"
	26 650561	3	Screw, 1/4-20 x 5/8"
	30 33423B	1	Crankshaft
	32 31787	1	Washer
	35 30312	1	Screw, 10-32 x 1/2"
	36 8345	1	Flat Washer
	37 7975	1	Lock Nut, 10-24
	38 29193	1	Retaining Ring
	38A 650518	1	Washer
	40 34511	1	Piston, Pin & Ring Set (Std.)
	40 34512	1	Piston, Pin & Ring Set (.010" OS)
	40 34513	1	Piston, Pin & Ring Set (.020" OS)
	40 34524	1	Piston, Pin & Ring Set (.030" OS)
	40 34525	1	Piston, Pin & Ring Set (.040" OS)
	41 32238B	1	Piston & Pin Ass'y. (Std.) (Incl. 43)
	41 32239B	1	Piston & Pin Ass'y. (.010" OS) (Incl. 43)
	41 32240B	1	Piston & Pin Ass'y. (.020" OS) (Incl. 43)
	41 32621B	1	Piston & Pin Ass'y. (.030" OS) (Incl. 43)
	41 32622B	1	Piston & Pin Ass'y. (.040" OS) (Incl. 43)
	42 32241	1	Ring Set (Std.)
	42 32242	1	Ring Set (.010" OS)
	42 32243	1	Ring Set (.020" OS)
	42 32625	1	Ring Set (.030" OS)
	42 32626	1	Ring Set (.040" OS)
	43 31919	2	Piston Pin Retaining Ring
	45 33093A	1	Connecting Rod Ass'y. (Incl.46 - 46B)
	45 34383	1	Connecting Rod Ass'y.(.010" US)(Incl. 46-46B)
	45 34384	1	Connecting Rod Ass'y.(.020" US)(Incl. 46-46B)
	46 32077	2	Connecting Rod Bolt
	46B 28264	2	Nut
	46A 26073	2	Washer
	48 33472	2	Valve Lifter
	50 34752	1	Camshaft (MCR)
	60 33479	1	Blower Housing Extension
	62 650760	1	Screw, 8-32 x 3/8"
	63 28545	1	Grommet
	68 33356	1	Ground Terminal
	69 31956B	1	* Cylinder Cover Gasket
	70 34095	1	Cylinder Cover (Incl. 15,15C,15D,36,3 8,75&88)
	70A 32577	1	Cylinder Cover (See Ref. #'s 480-482)
	72 31927	2	Oil Drain Plug
	75 31950	1	Oil Seal

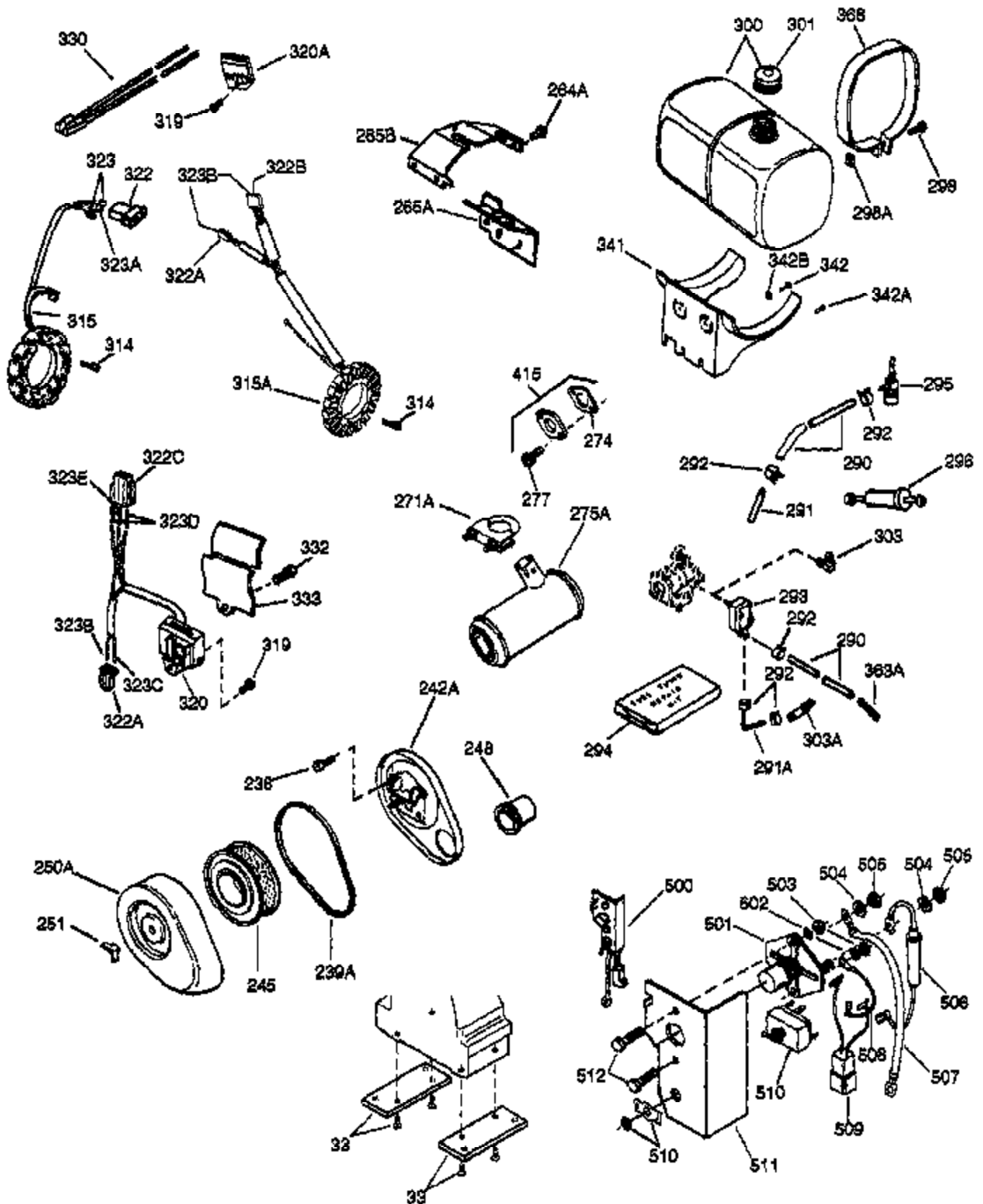
Ref #	Part Number	Qty	Description
81	30590A	1	Washer
81A	650745	1	Washer
82	34751	1	Governor Gear Ass'y.
83	35322	1	Governor Spool
86	650588	1	Screw, 1/4-20 x 2"
86A	792028	3	Screw, 5/16-18 x 7/8"
87	650488	1	Screw, 1/4-20 x 1-1/4"
88	32426	1	Spacer
89	650592	1	Flywheel Key
90	611000	1	Flywheel (Incl. 90A)
90A	730201	1	Trigger Pin Kit
92	650666	1	Washer
93	650594	1	Flywheel Nut
94	33450	1	Lock Nut, 10-32
96	30845A	1	Governor Spring Adjusting Bolt
97	650168	1	Flat Washer
100	610906	1	Solid State Ignition (Incl.101,101A,3 24,324A)
101	610118	1	Spark Plug Cover
101A	610750	1	Grommet
103	650661	2	Screw, 1/4-20 x 3/4"
108	29783	1	Crankshaft Pin
109	34692	1	Crankshaft Gear
119	34225A	1	* Cylinder Head Gasket
120	34753	1	Cylinder Head
121	730218	2	Valve Guide Kit (Incl. 2 of 122)
122	792035	2	Retaining Ring
125	33506	1	Exhaust Valve (Std.) (Incl. 151)
125	33646	1	Exhaust Valve (1/32" OS) (Incl. 151)
126	33505	1	Intake Valve (Std.) (Incl. 151)
126	33645	1	Intake Valve (1/32" OS) (Incl. 151)
127	650691	6	Washer
128	650690	6	Belleville Washer
129	650692	4	Screw, 5/16-18 x 1-3/4"
130	650746	2	Screw, 5/16-18 x 1-3/8"
133A	26073	1	Washer
133C	650624	1	Screw, 5/16-24 x 9/16"
133	650890	1	Lock Washer, 5/16
134	32039	1	Shorting Clip
135	35552	1	Resistor Spark Plug (RL82C)
141	33481	4	* "O" Ring (Also Incl. in 401)
142	35475	2	Push Rod Tube
143	34754	1	Rocker Arm Housing
144	33484	3	* "O" Ring (Also Incl. in 401)
145	650168	3	Washer
146	32610A	3	Screw, 1/4-20 x 29/32"
147	33509	1	* "O" Ring (Also Incl. in 401)
148	34410	1	* "O" Ring (Also Incl. in 401)
149	33510	2	Valve Spring Cap
150	33507	2	Valve Spring
151	33508	2	Valve Spring Keeper
154	650755	1	Screw, 1/4-20 x 3/4"
155	33485	1	Rocker Arm
157	33486	2	Retaining Ring
158	33471	2	Push Rod
159	33487	1	* "O" Ring (Also Incl. in 401)
160	33488	1	Rocker Arm Housing
161	650756	2	Rocker Arm Stud
162	650864	1	Nut, 1/4-20

Ref #	Part Number	Qty	Description
169	31958A	1	* Valve Cover Gasket (Also Incl.in 401)
170	33489	1	Breather Body
173	33490	1	Breather Tube
174	30102	2	* Screw, 10-32 x 5/8" (Also Incl. in 40 1)
182	650378	2	Screw, Torx T-30, 5/16-18 x 1-1/8"
184	33476A	2	* Carburetor To Intake Pipe Gasket
185	33475	1	Intake Pipe
186A	33983	1	Governor Lever to Throttle Lever Link
186	33478	1	Governor Link
200	34457	1	Control Bracket
203	33099	1	Compression Spring
204	650591	1	Screw, 10-24 x 2"
212	31966	1	Bushing
213	650597	1	Screw, 10-24 x 5/8"
216	34456	1	Control Lever
223	792028	2	Screw, 5/16-18 x 7/8"
238	650399	4	Screw, 10-32 x 5/8"
239	35471	1	* Air Cleaner Gasket
242	35472	1	Air Cleaner Bracket
245	32008	1	Air Cleaner Filter
250	32810	1	Air Cleaner Cover
251	650513	1	Wing Nut, 1/4-20
260	34314B	1	Blower Housing
261	650752	1	Screw, 1/4-20 x 7/16"
261A	650751	1	Screw, 1/4-20 x 7/16"
264	650736	2	Screw, 10-16 x 3/8"
265	33495	1	Cylinder Head Cover
275	32043B	1	Muffler
281	33013	1	Starter Bubble Cover
282	650701	1	Screw, 8-18 x 7/16"
286	33776	1	Starter Screen
287A	650680	3	Screw, 1/4-20 x 1-1/2"
287	27070	3	Washer
305	35574	1	Oil Fill Tube
307	35499	1	"O" Ring
310	35599	1	Dipstick
319B	650595	1	Screw, 5/16-24 x 3/8"
319A	8274	1	Lock Washer
324A	610408	2	Nut, 8-32
324	610908	1	Terminal
325	29443	1	Wire Clip
342B	650787	2	Belleville Washer
355	590452	1	Starter Handle
366A	33192	1	Muffler Nipple
367	650590	1	Nut
370B	35274	1	Instruction Decal
370	34346	1	Lubrication Decal
370A	35532	1	Name Decal
380	632477	1	Carburetor (Incl. 184)
392	32046	1	Starter Rope
393	31980	1	Starter Rope Pulley
400	33516G	1	* Gasket Set (Incl. items marked PK i n notes) Incl. part #'s 29673 (1), 30102 (2), 31950 (2), 31956B (1), 31958A (1), 31971 (2), 31972 (1), 32031 (1), 32599 (1), 33476A (2), 33481 (4), 33484 (3), 33487 (1), 33509 (1), 33515A (1), 34225A (1), 34302A (1), 34410 (1), 34641A (1), 35471 (1)

Ref #	Part Number	Qty	Description
401	35075A	1	* "O" Ring Set (Also Incl. in 400) 30102 (2), 31958A (1), 33481(4), 33484 (3), 33487 (1), 33509 (1) 34410 (1)
409	31992	3	Spacer
420	730225	1	SAE 30 4-Cycle Engine Oil (Quart)
436	610983	1	Stator Plate Ass'y.
436B	650399	2	Screw, 10-32 x 5/8"
480	31971	2	* Shim Gasket (.004/.005) (See Repair Manual)
481	31972	1	* Shim Gasket (.005/.007) (See Repair Manual)
482	32031	1	* Steel Spacer (.010) (See Repair Manual)

(Page 2 of 2)

IMAGE FILE: ENOH160.2



Ref #	Part Number	Qty	Description
16B	31965	1	Governor Spring Plate
32	31787	1	Washer
144	33484	3	* "O" Ring (Also Incl. in 401)
238	650399	4	Screw, 10-32 x 5/8"
245	32008	1	Air Cleaner Filter
251	650513	1	Wing Nut, 1/4-20
261A	650751	1	Screw, 1/4-20 x 7/16"
274	33515A	1	* Exhaust Gasket
291A	29774	1	Fuel Line (6.00")
291A	30962	1	Fuel Line (21.00")
291	29774	1	Fuel Line (1.12")
292	26460	4	Fuel Line Clamp
293	35807	1	Pulse Pump (Incl. 294)
294	35791	1	Pulse Pump Repair Kit
295	29683	1	Fuel Shut-Off Valve
298	650488	1	Screw, 1/4-20 x 1-1/4"
298A	650456	1	Lock Nut, 1/4-20
300	33979	1	Fuel Tank (Incl. 301)
301	33032	1	Fuel Cap
303	29634	2	Fuel Line Fitting
341	33978	1	Fuel Tank Bracket
342	650786	2	Screw, 1/4-20 x 5/8"
342B	650787	2	Belleville Washer
342A	650785	2	Screw, 5/16-18 x 5/8"
355	590452	1	Starter Handle
366A	33192	1	Muffler Nipple
368	33980	2	Fuel Tank Strap
436B	650399	2	Screw, 10-32 x 5/8"