

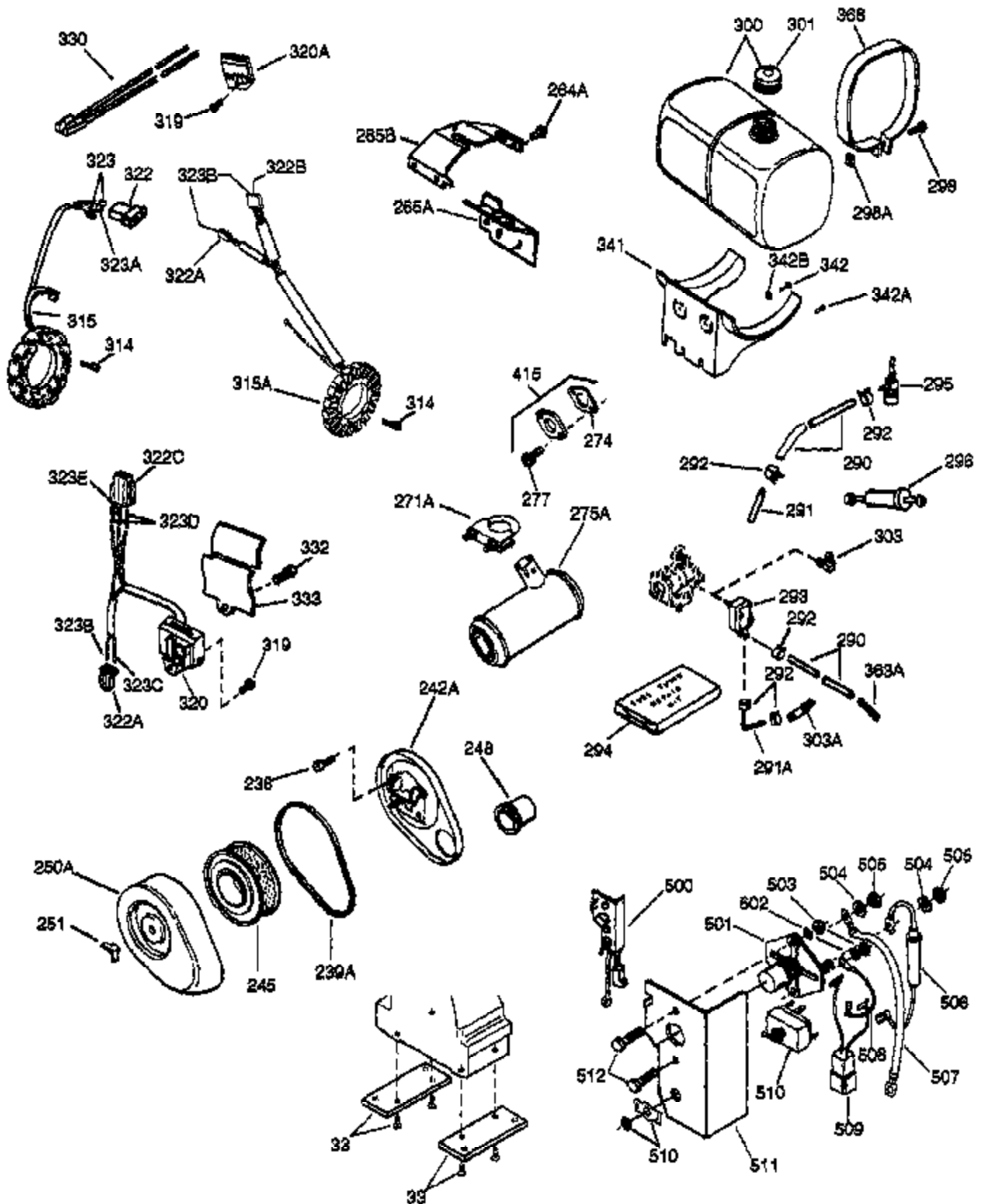
Ref #	Part Number	Qty	Description
1	33707A	1	Cylinder (Incl. 2, 20 & 72)
2	27652	2	Dowel Pin
14A	28558	1	Washer
15	32425	1	Governor Rod
16	31963	1	Governor Lever
16B	31965	1	Governor Spring Plate
17	31964	1	Governor Lever Clamp
18	650544	1	Screw, Torx T-25, 10-24 x 7/8"
19	31967	1	Extension Spring
20A	32599	1	* "O" Ring
20	31950	1	* Oil Seal
24A	31928	2	Bearing Cup
24	31932	2	Tapered Roller Bearing
25	32579	1	Blower Housing Baffle
25B	650738	1	Screw, 1/4-20 x 5/8"
25A	33477A	1	Air Baffle
26	650561	3	Screw, 1/4-20 x 5/8"
30	34169A	1	Crankshaft
35	30312	1	Screw, 10-32 x 1/2"
37	7975	1	Lock Nut, 10-24
38	29193	1	Retaining Ring
38A	650518	1	Washer
40	34511	1	Piston, Pin & Ring Set (Std.)
40	34512	1	Piston, Pin & Ring Set (.010" OS)
40	34513	1	Piston, Pin & Ring Set (.020" OS)
41	32238B	1	Piston & Pin Ass'y. (Std.) (Incl. 43)
41	32239B	1	Piston & Pin Ass'y. (.010" OS) (Incl. 43)
41	32240B	1	Piston & Pin Ass'y. (.020" OS) (Incl. 43)
42	32241	1	Ring Set (Std.)
42	32242	1	Ring Set (.010" OS)
42	32243	1	Ring Set (.020" OS)
43	31919	2	Piston Pin Retaining Ring
45	33093A	1	Connecting Rod Ass'y. (Incl.46 - 46B)
45	34383	1	Connecting Rod Ass'y.(.010" US)(Incl. 46-46B)
45	34384	1	Connecting Rod Ass'y.(.020" US)(Incl. 46-46B)
46B	28264	2	Nut
46A	26073	2	Washer
46	32077	2	Connecting Rod Bolt
48	33472	2	Valve Lifter
50	34752	1	Camshaft (MCR)
60	33479	1	Blower Housing Extension
66	30063	2	Screw, Torx T-30, 1/4-20 x 1/2"
69	31956B	1	* Cylinder Cover Gasket
70	32580A	1	Cylinder Cover (Incl. 15,38,72,75,88)
70A	32577	1	Cylinder Cover (See Ref. #'s 480-482)
72	31927	2	Oil Drain Plug
75	31950	1	Oil Seal
81A	650745	1	Washer
81	30590A	1	Washer
82	34751	1	Governor Gear Ass'y.
83	35322	1	Governor Spool
86	650588	1	Screw, 1/4-20 x 2"
86A	792028	3	Screw, 5/16-18 x 7/8"
87	650451	8	Screw, 1/4-20 x 1"
88	32426	1	Spacer
89	650592	1	Flywheel Key
90	610909	1	Flywheel (W/Ring Gear) (Incl. 90A)
90A	730201	1	Trigger Pin Kit

Ref #	Part Number	Qty	Description
	92 650666	1	Washer
	93 650594	1	Flywheel Nut
	100 610906	1	Solid State Ignition (Incl.101,101A,3 24,324A)
	101A 610750	1	Grommet
	101 610118	1	Spark Plug Cover
	103 650661	2	Screw, 1/4-20 x 3/4"
	108 29783	1	Crankshaft Pin
	109 34692	1	Crankshaft Gear
	119 34225A	1	* Cylinder Head Gasket
	120 34753	1	Cylinder Head
	121 730218	2	Valve Guide Kit (Incl. 2 of 122)
	122 792035	2	Retaining Ring
	125 33506	1	Exhaust Valve (Std.) (Incl. 151)
	125 33646	1	Exhaust Valve (1/32" OS) (Incl. 151)
	126 33505	1	Intake Valve (Std.) (Incl. 151)
	126 33645	1	Intake Valve (1/32" OS) (Incl. 151)
	127 650691	6	Washer
	128 650690	6	Belleville Washer
	129 650692	4	Screw, 5/16-18 x 1-3/4"
	130 650746	2	Screw, 5/16-18 x 1-3/8"
	133C 650595	1	Screw, 5/16-24 x 3/8"
	133B 8274	1	Washer
	135 33657	1	Resistor Spark Plug (RL82C)
	141 33481	4	* "O" Ring (Also Incl. in 401)
	142 35475	2	Push Rod Tube
	143 34754	1	Rocker Arm Housing
	144 33484	3	* "O" Ring (Also Incl. in 401)
	145 650168	3	Washer
	146 32610A	3	Screw, 1/4-20 x 29/32"
	147 33509	1	* "O" Ring (Also Incl. in 401)
	148 34410	1	* "O" Ring (Also Incl. in 401)
	149 33510	2	Valve Spring Cap
	150 33507	2	Valve Spring
	151 33508	2	Valve Spring Keeper
	154 650756	2	Rocker Arm Stud
	155 33485	1	Rocker Arm
	157 33486	2	Retaining Ring
	158 33471	2	Push Rod
	159 33487	1	* "O" Ring (Also Incl. in 401)
	160 33488	1	Rocker Arm Housing
	161 650755	1	Screw, 1/4-20 x 3/4"
	162 650864	1	Nut, 1/4-20
	169 31958A	1	* Valve Cover Gasket (Also Incl.in 401)
	170 33489	1	Breather Body
	173 33490	1	Breather Tube
	174 30102	2	* Screw, 10-32 x 5/8" (Also Incl. in 40 1)
	182 650378	2	Screw, Torx T-30, 5/16-18 x 1-1/8"
	184 33476A	2	* Carburetor To Intake Pipe Gasket
	185 33475	1	Intake Pipe
	186 33478	1	Governor Link
	203 33099	1	Compression Spring
	204 650591	1	Screw, 10-24 x 2"
	210 27793	1	Conduit Clip
	211 28942	1	Screw, 10-32 x 3/8"
	212 31966	1	Bushing
	213 650597	1	Screw, 10-24 x 5/8"
	216 31984A	1	R.P.M. Adjusting Lever
	223 650971	2	Screw, Torx T-30, 5/16-18 x 7/8"

Ref #	Part Number	Qty	Description
238	650399	4	Screw, 10-32 x 5/8"
239	35471	1	* Air Cleaner Gasket
242	35472	1	Air Cleaner Bracket
245	32008	1	Air Cleaner Filter
250	32810	1	Air Cleaner Cover
251	650513	1	Wing Nut, 1/4-20
260	34314B	1	Blower Housing
261A	650751	1	Screw, 1/4-20 x 7/16"
261	650752	1	Screw, 1/4-20 x 7/16"
264	650736	2	Screw, 10-16 x 3/8"
265	33495	1	Cylinder Head Cover
275	35731	1	Muffler
286	33776	1	Starter Screen
287A	650670	3	Screw, 1/4-20 x 3/4"
287	27070	3	Washer
305	33468	1	Oil Fill Tube
307	29673	1	* Oil Fill Tube Gasket
311	33764	1	Oil Fill Plug (Incl. 312)
312	29985	1	"O" Ring
319A	8274	1	Lock Washer
319B	650595	1	Screw, 5/16-24 x 3/8"
324	610908	1	Terminal
324A	610408	2	Nut, 8-32
361A	650797	1	Screw, 5/16-18 x 1/2"
361	650781	2	Screw, 5/16-18 x 11/16"
366A	32143	1	Muffler Nipple
367	650590	1	Nut
370	36261	1	Instruction Decal
370A	35532	1	Name Decal
370B	35274	1	Instruction Decal
380	632456A	1	Carburetor (Incl. 184)
395	33835	1	Electric Starter Motor (12 Volt)
400	33516G	1	* Gasket Set (Incl. items marked PK in notes) Incl. part #'s 29673 (1), 30102 (2), 31950 (2), 31956B (1), 31958A (1), 31971 (2), 31972 (1), 32031 (1), 32599 (1), 33476A (2), 33481 (4), 33484 (3), 33487 (1), 33509 (1), 33515A (1), 34225A (1), 34302A (1), 34410 (1), 34641A (1), 35471 (1)
401	35075A	1	* "O" Ring Set (Also Incl. in 400) 30102 (2), 31958A (1), 33481(4), 33484 (3), 33487 (1), 33509 (1) 34410 (1)
409	32426	3	Spacer
409A	650675	3	Washer
420	730225	1	SAE 30 4-Cycle Engine Oil (Quart)
480	31971	2	* Shim Gasket (.004/.005) (See Repair Manual)
481	31972	1	* Shim Gasket (.005/.007) (See Repair Manual)
482	32031	1	* Steel Spacer (.010) (See Repair Manual)

(Page 2 of 2)

IMAGE FILE: ENOH160.2



Ref #	Part Number	Qty	Description
16B	31965	1	Governor Spring Plate
144	33484	3	* "O" Ring (Also Incl. in 401)
238	650399	4	Screw, 10-32 x 5/8"
245	32008	1	Air Cleaner Filter
251	650513	1	Wing Nut, 1/4-20
261A	650751	1	Screw, 1/4-20 x 7/16"
271A	35732	1	Muffler Clamp
274	33515A	1	* Exhaust Gasket
290	29774	1	Fuel Line (6.00")
291A	29774	1	Fuel Line
292	26460	1	Fuel Line Clamp
293	35807	1	Pulse Pump
294	35791	1	Pulse Pump Repair Kit
303	29634	2	Fuel Fitting
314	650521	2	Screw, 10-32 x 1-1/8"
315	610902	1	Alternator Coil (20 Amp) (Incl.322B,3 23,323E)
319	30063	1	Screw, Torx T-30, 1/4-20 x 1/2"
320	610996	1	Regulator (20 Amp) (Incl.322A,C, 323A ,B,C,D)
322A	610990	1	Connector Body
322C	610921	1	Connector Body
322B	610903	1	Connector Body
323B	610922	1	Terminal
323C	610989	1	Terminal
323D	610992	1	Terminal
323	610905	2	Terminal
323E	610904	1	Terminal
323A	610991	2	Terminal
366A	32143	1	Muffler Nipple